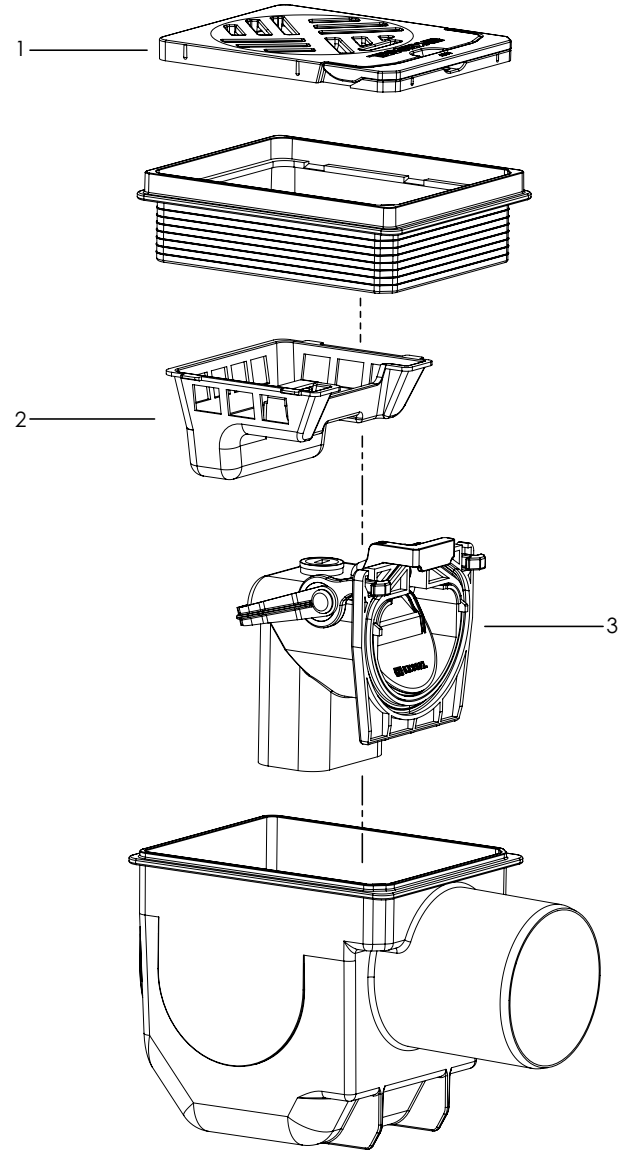


Basement drain Drehfix

Installation in the concrete slab, from model year 01/2002



Pos.	Designation	Art. #
1	Slotted cover	27205
2	Sludge bucket	27308
3	Twin flap backwater valve	27603

Pos.	Designation	Art. #