



VORTIFLO[®]

VORTEX FLOW CONTROL SYSTEMS

Flow Brake CMS

MOUNTING SYSTEM FOR PRE CAST CHAMBERS

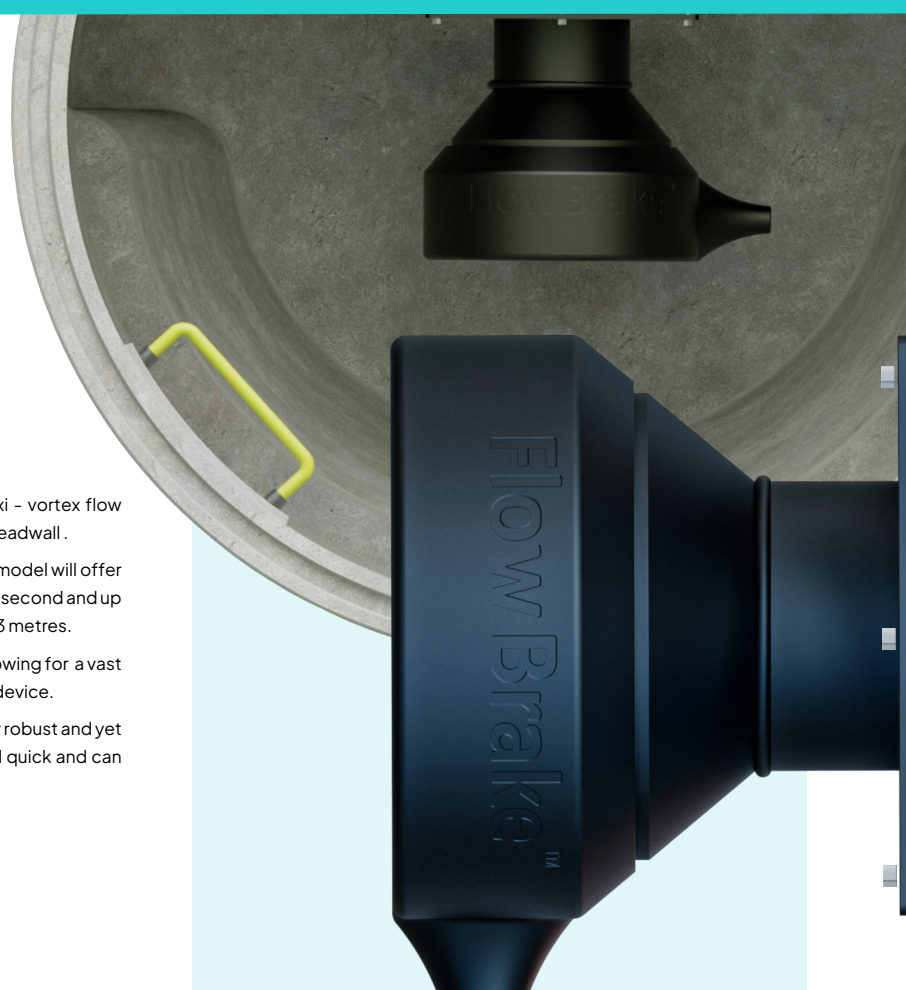
PRODUCT CODE: VFFB500FFCMS

The new Flow Brake CMS features the innovative new Flow Brake Maxi - vortex flow control mounted onto the wall plate for installing onto a PCC chamber headwall.

The Flow Brake Maxi has been meticulously designed so that this single model will offer a vast range of precise flow discharge rates, from as low as 0.2 litres per second and up to 25 litres per second, with design heads typically but not limited to 3 metres.

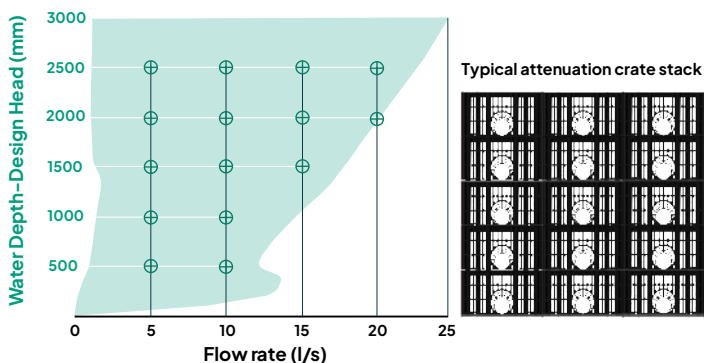
The tapered inlet and outlet arrangement can be cut to required size, allowing for a vast array of design head - discharge curves to be achieved with this single device.

Manufactured from High Density Polyethylene, the CMS unit is extremely robust and yet lightweight, weighing 10kg. This makes installation relatively simple and quick and can be carried out by a single person.



Flow Brake Maxi

Flow-Head relationship performance envelope.



What information do we need to design your Flow Brake?

1. The restricted outflow - maximum discharge
2. The design head - Top/highest water level

