

VORTIFLO®

Ø300 & Ø450mm - FLOW CONTROL CHAMBERS

MODELS: VFCC300 & VFCC450

Introduction

Low discharge rates, particularly from new housing developments is becoming commonplace and regularly stipulated by the Local Lead Flood Authorities (LLFA's). So the requirement for a proven method of reducing flows from new housing sites and individual housing plots and new builds is becoming a significant part of SuDS design and overall flood management.

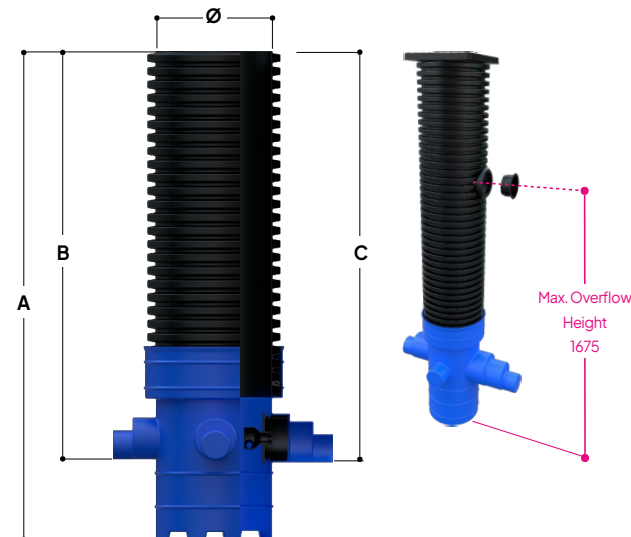
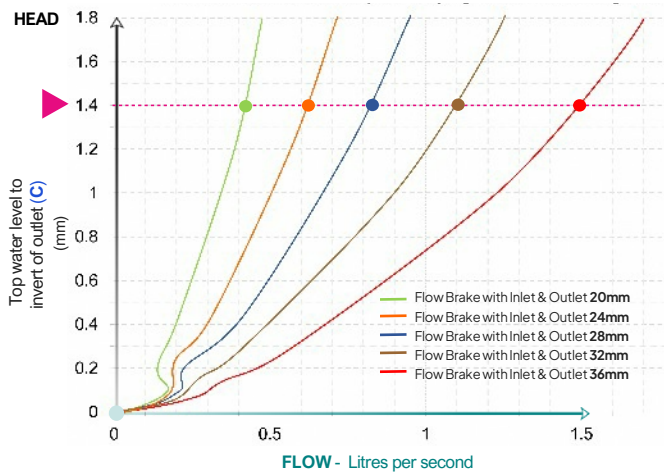
Specification

The Vortiflo VFCC300 and VFCC450 models both features our **FlowBrake mini - vortex flow control**, specifically designed for small housing plot attenuation, where the installation of one of our Oriflo - orifice plates, would not be suitable, particularly within adoptable installations and many localised building requirements, due to the Orifice size, which would be in most cases be below 20mm. So to offer an acceptable solution and alleviate the risk of blockage, that a small orifice could present, we have introduced the FlowBrake mini -vortex flow control into a range of chambers with diameters and pipework options to suit most applications.

Designed to facilitate such discharge flows from 0.2 to 1.5 litres per second with a design head of between 0.2 and 1.5 metres the Flowbrake Mini offers an extremely effective flow control device.

Design & Performance

FLOW to HEAD relationship for varying inlet-outlet configurations



What information do we need to design your Vortiflo chamber?

1. The Design Flow - Maximum Discharge
2. The Design Head - Invert to Top Water Level
3. Pipework sizes and configurations
4. Invert Depths

Product Code	Main pipework connections Ø (mm)	Optional Side Inlets (mm)	Overall Depth A (mm)	Inlet Invert B (mm)	Outlet Invert C (mm)	Chamber Ø (mm)	Approx. Weight (kg)
VFCC300/2	110-160	110	2030	1700	1755	300	22.5
NB: This model is supplied with a square section A15 LOADING access cover and frame							
VFCC450/2	110-160	110-160	1950	1630	1650	450	24.5
VFCC450/2.4	110-160	110-160	2410	2090	2110	450	29
VFCC450/3	110-160	110-160	3025	2705	2725	450	34.5
	Twinwall	Twinwall					
VFCC450225/2	150-225	150	2000	1700	1755	450	26
VFCC450225/2.4	150-225	150	2370	2070	1755	450	31
VFCC450225/3	150-225	150	3000	2700	1755	450	37.5

NB: VFCC450 models are not supplied with an access cover. However A15 and B125 Load covers are available POA.