

VORTIFLO®

Ø1050mm - FLOW CONTROL CHAMBER

Model : VFBC1050300F

Introduction

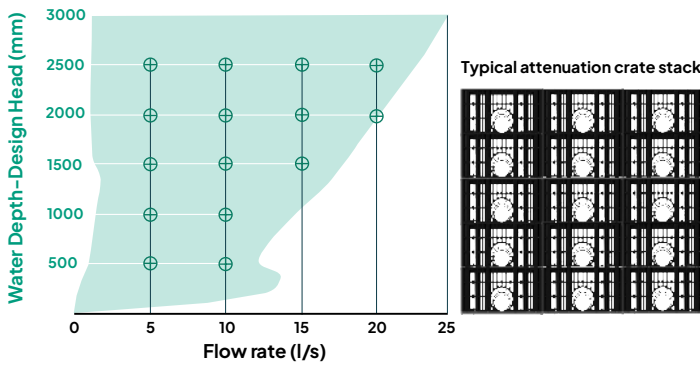
The new VORTIFLO 1050 Flow Control Chamber range features the innovative new **Flow Brake Maxi - Vortex flow control**, which is integrated into the outlet manifold of the chamber. The outlet manifold is also fitted with a Ø110mm overflow pipe, designed to operate in the unlikely event of blockage.

The **Flow Brake Maxi** has been meticulously designed so that this single model will offer a vast range of precise flow discharge rates, from as low as 0.2 litres per second and up to 25 litres per second, with design heads typically but not limited to 3 metres.

The tapered inlet and outlet arrangement can be cut to required size, allowing for a vast array of design head - discharge curves to be achieved with this single device.

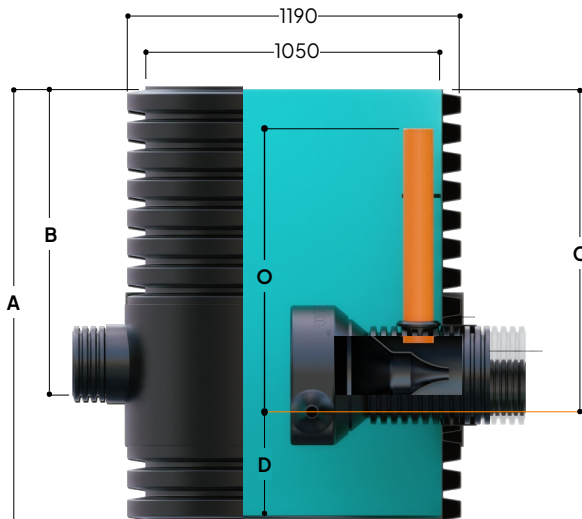
Flow Brake Maxi

Flow-Head relationship performance envelope.

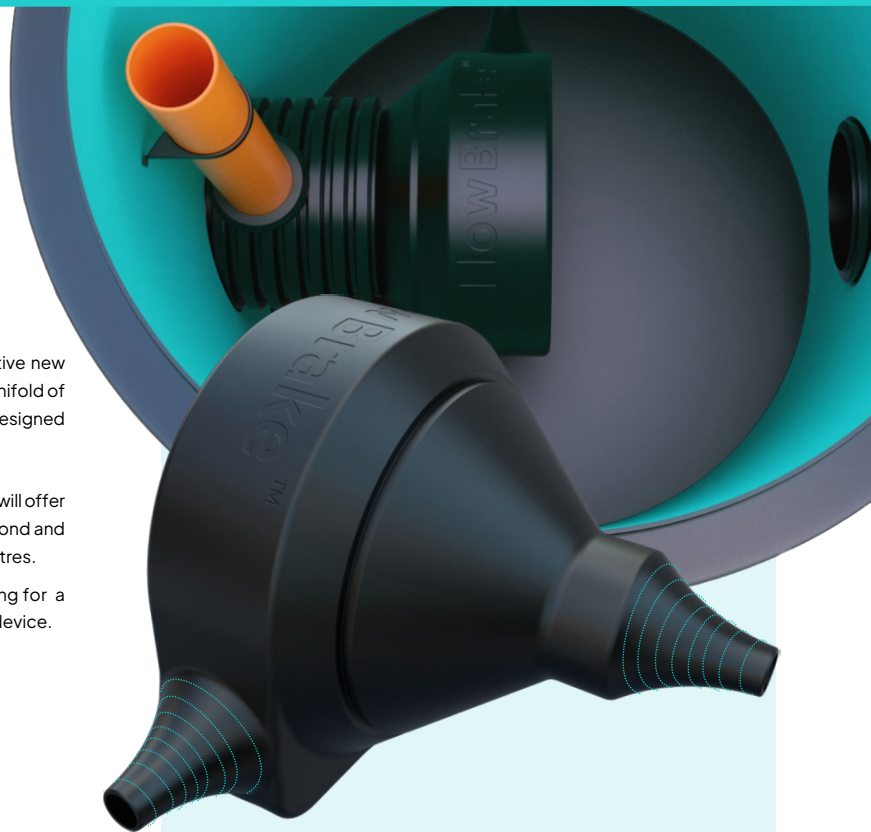


Chamber Specification

All chambers are manufactured from high density polyethylene- twinwall pipe, which makes the chambers extremely robust. The range comes in four depths, as detailed below. There are several pipework options available for both inlet and outlet connections. The standard outlet is Ø300mm twinwall pipe, however this can be reduced to suit the required outlet/discharge pipework. Ladders can also be fitted if required, at extra cost.



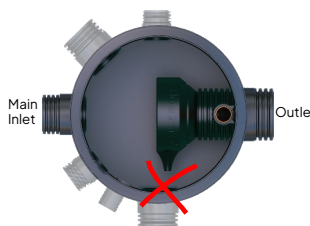
O = Overflow dimension is factory fitted to be 100mm above the top water level or HEAD



What information do we need to design your Vortiflo chamber?

1. The Design Flow - Maximum Discharge
2. The Design Head - Invert to Top Water Level
3. Pipework sizes and configurations
4. Invert Depths

Product Code	Main pipework options Ø	Optional Inlets Ø	Overall Depth	Inlet Invert	Outlet Invert	Sump Depth
	(mm)	(mm)	A (mm)	B (mm)	C (mm)	D (mm)
VFBC1050300F/1.5	110 - 300	110 - 300	1535	1075	1165	355
VFBC1050300F/2	110 - 300	110 - 300	1975	1515	1605	355
VFBC1050300F/2.4	110 - 300	110 - 300	2395	1935	2025	355
VFBC1050300F/3	110 - 300	110 - 300	2915	2455	2545	355



Please Note: Further inlets can be manufactured into the unit if required, as shown in the plan view adjacent. However inlets cannot be directly adjacent to the flow control inlet (This position is marked with the red cross). If further inlets are required please speak to one of our sales or technical team, who will advise accordingly.