

# 3P Volume Filter VF1

A Rainwater Filter for Installation

- in the ground
- in manhole chambers
- in storage tanks/cisterns

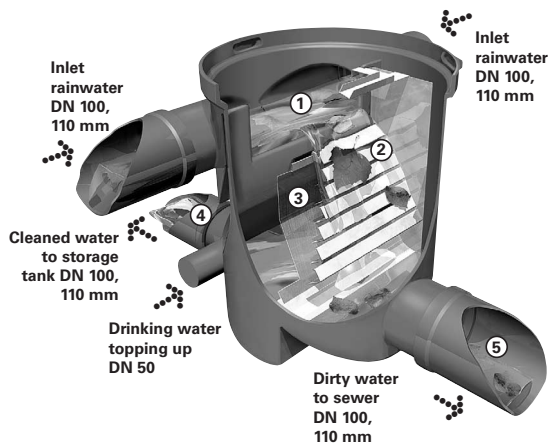
3P Technik Filtersysteme GmbH



## Installation Guide

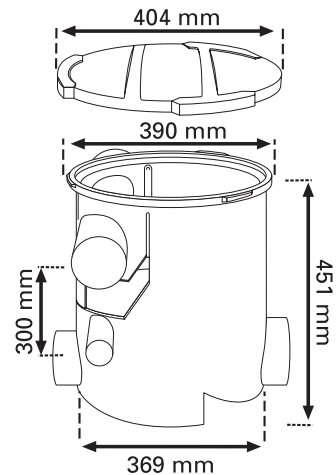
## Installation Guide

### 3P Volume Filter VF 1

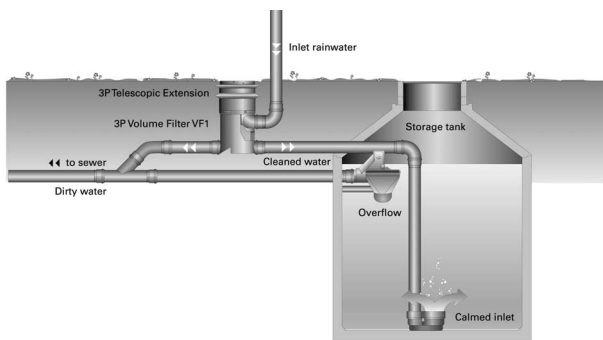


### VF1 – HOW IT WORKS

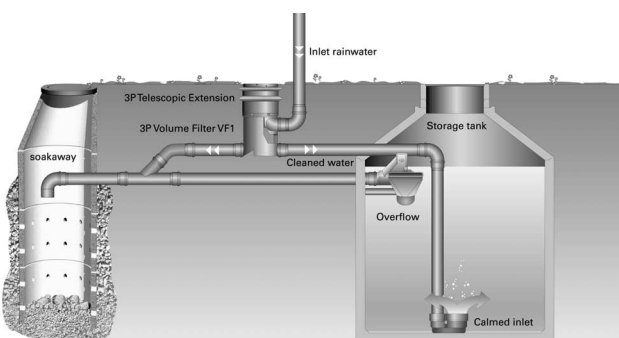
- ① As water arrives the level builds up in the sump and is equally distributed across the cascade
- ② Pre cleaning through the cascades. Largest dirt particles are led across the primary filter cascades directly to the sewer.
- ③ Pre filtered water then flows over the secondary filter sieve (mesh size 0.26 mm). Due to the special mesh structure of the sieve, any dirt washes directly into the sewer which means the filter is self cleaning, with very low maintenance.
- ④ Cleaned water flows to the cistern.
- ⑤ Dirt goes to the sewer.



### Installation direct in ground with overflow to sewer



### Installation below ground with overflow to soakaway



### INSTALLATION ADVICE AND TIPS

- Connections to the 3P Volumenfilter VF1 can be made with universal connectors.
- Rainwater enters through the upper Inlets, at 110mm. For roof areas up to 200 m<sup>2</sup> connect from either right or left.
- For roof areas above 200 m<sup>2</sup> connect on both sides.
- Saw off 1 cm of the outside of the selected Inlet(s).
- Cleaned water is led via the outlet ④ at 110 mm to the storage tank (see picture above).
- Dirty water goes via the outlet ⑤ at 110 mm to sewer or soakaway (see picture above).
- Install the 3P Volumenfilter VF1 horizontally on a level stable surface. For deeper installations the 3P Telescopic Extension can be used to reach ground level.
- Regularly clean the filter mesh, as required.
- Remove the filter insert and spray the dirt off with a strong jet of water
- If necessary undo the side screws and remove the fine filter mesh to clean.

# 3P Telescopic Extension

Manhole installation  
of the 3P Volumenfilter VF1

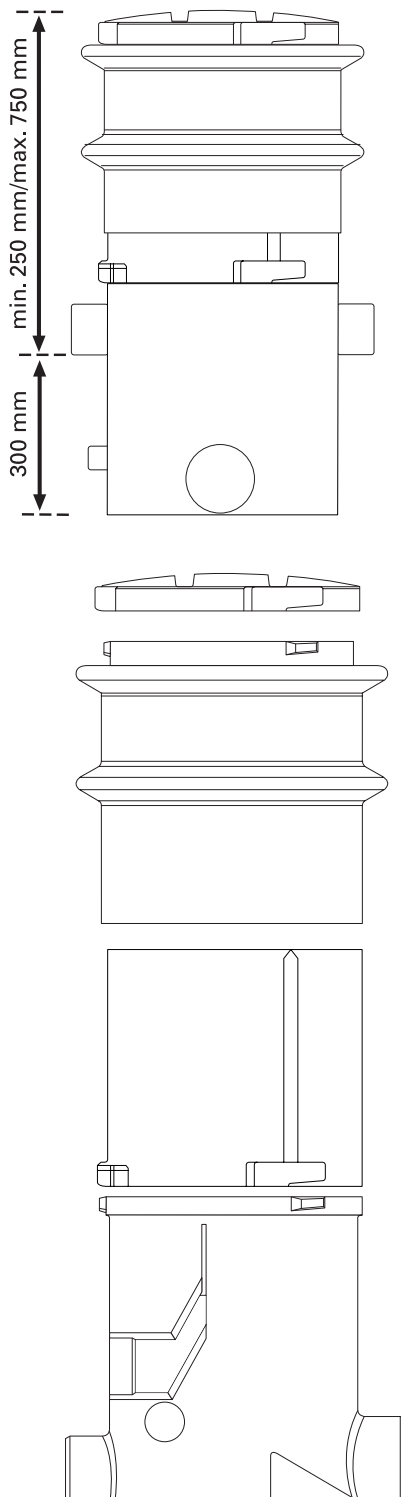
3P Technik Filtersysteme GmbH



## Installation Guide

## Installation Guide

### 3P Telescopic Extension



#### INSTALLATION ADVICE AND TIPS

Installation with the 3P Volumenfilter VF1

1. Lift the lid off the 3P VF1 and lock the lower part of the 3P Telescopic Extension tube, using the bayonet socket fitting, onto the 3P Volumenfilter VF1. It has to be fully engaged.
2. The upper surface of the upper ring collar to the upper section of the Telescopic Tube can be fitted flush at ground level. This leaves the VF1 lid just proud of the ground surface for easy removal and access.
3. Push the upper section of the 3P Telescopic Extension on to the lower part until you reach the required height.
4. If the final required height is lower than the minimum with the two pieces, simply cut by sawing the upper or the lower part with a fret saw to the required height.
5. Next, back fill the manhole surround with gravel or stone chippings. Compress the back fill below the upper collar of the upper extension section, so that the collars take the loading, and not the VF1 below.
6. If installed in a block built manhole there may be no need for the Telescopic Extension Tube, or it can be fitted to the base of a manhole chamber floor.

#### Installation direct in ground with overflow to sewer

