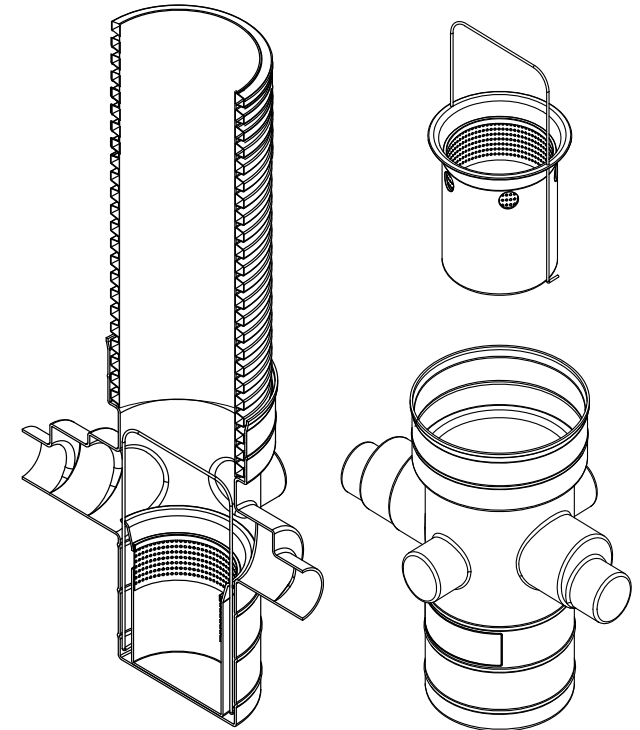
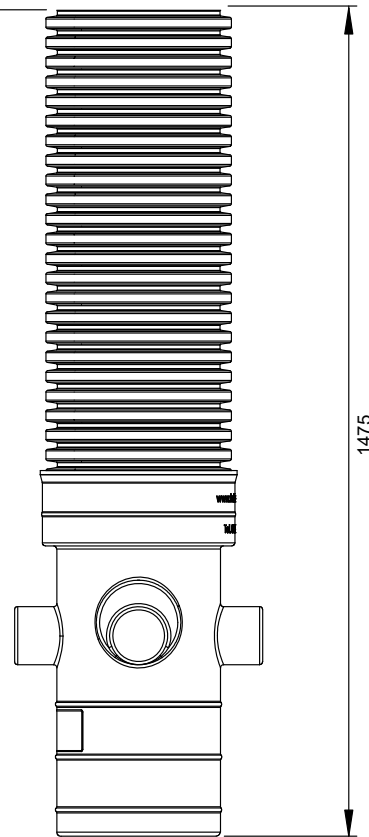
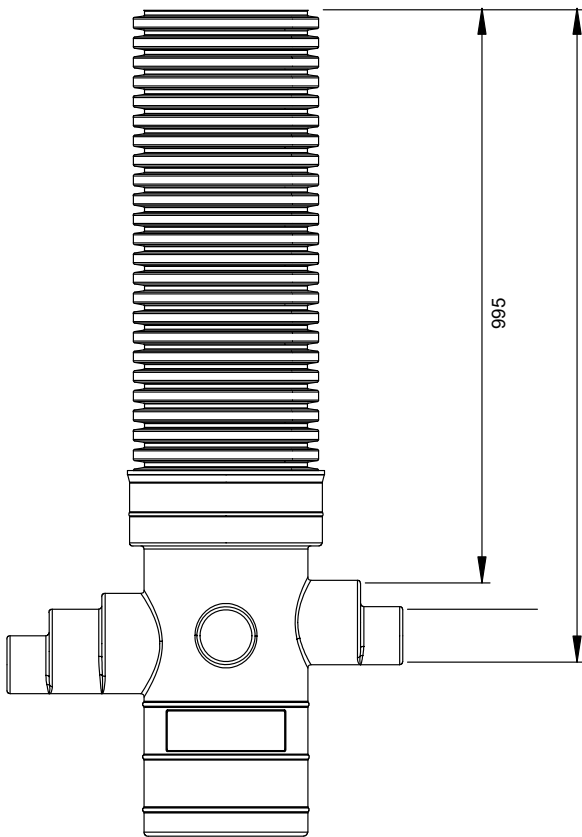


BASE ONLY



**PROPRIETARY & CONFIDENTIAL**

THE INFORMATION CONTAINED IN THIS DRAWING IS THE SOLE PROPERTY OF TURTLE ENVIRO LIMITED. ANY REPRODUCTION IN PART OR AS A WHOLE WITHOUT THE WRITTEN PERMISSION OF TURTLE ENVIRO ENVIRO PROHIBITED.



DRAWN BY: D.A	CONTRACT:		
DRAWN DATE: 3/07/2023	PRODUCT DESCRIPTION: <b>SILT GUARD</b>		
APPROVED BY: D.A	PRODUCT/CODE: <b>SS300160HD</b>		
APPROVED DATE: 4/07/2023	SCALE:	SHEET/SIZE A4	REV: