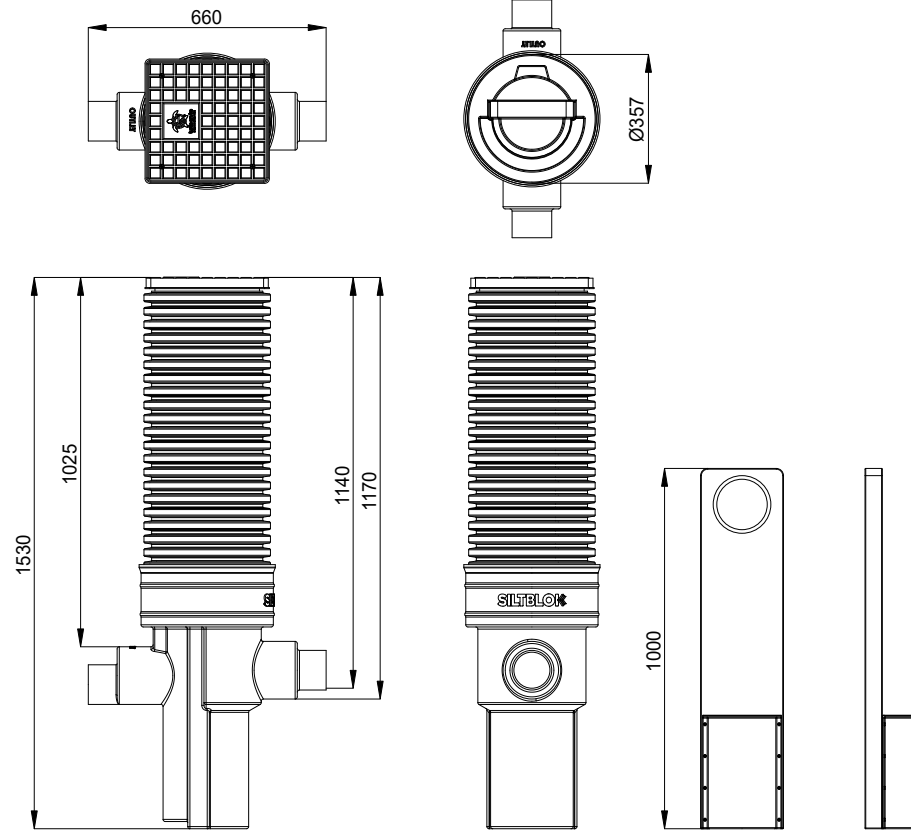
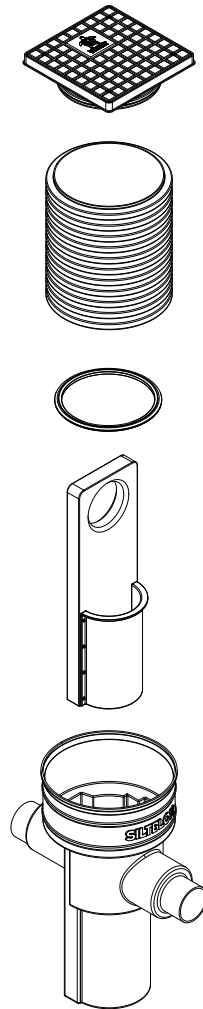


MODEL: SB300/1



MODEL: SB300/1.5



**PROPRIETARY & CONFIDENTIAL**  
 THE INFORMATION CONTAINED IN THIS DRAWING IS THE SOLE PROPERTY OF TURTLE ENVIRO LTD. ANY REPRODUCTION IN PART OR AS A WHOLE WITHOUT THE WRITTEN PERMISSION OF TURTLE ENVIRO LTD IS PROHIBITED.

DRAWN BY: AT  
 DRAWN DATE: 13/06/2022  
 APPROVED BY: D.A.  
 APPROVED DATE: 13/06/2022

PRODUCT DESCRIPTION: **SILTBLK**  
 PRODUCT/CODE: **SB300**  
 SCALE: 1:15 SHEET/SIZE: A3 REV: 1