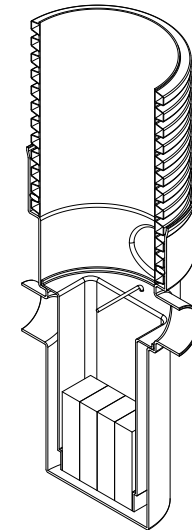
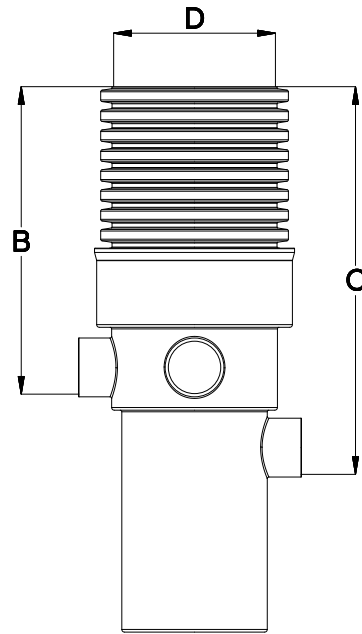
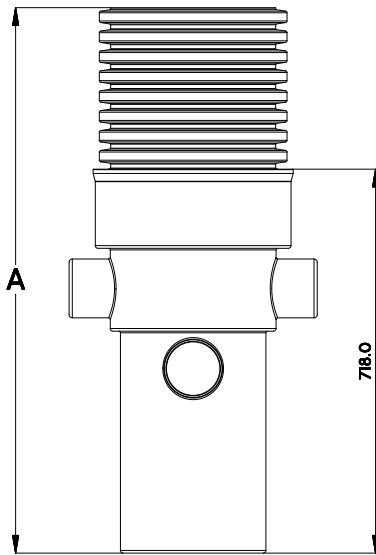
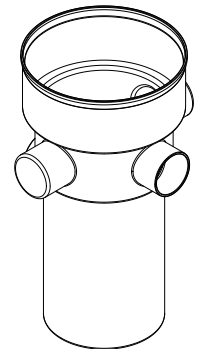
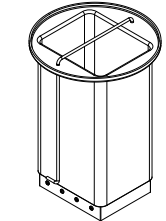
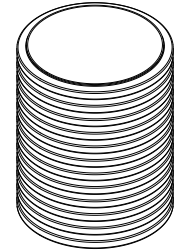


TWINWALL SHAFT
CUT LENGTH REQUIRED

446.0
950.0
1418.0



PRODUCT CODE	Main Pipework	Optional Side	Overall	Inlet	Outlet	Chamber	Approx
	Connections	Inlets	Depth	Invert	Invert	Diameter	
	Ø (mm)	(mm)	A (mm)	B (mm)	C (mm)	D (mm)	
SB300TE/1	110	110	1020	575	725	300	10.5
SB300TE/1.5	110	110	1524	1079	1229	300	14.5
SB300TE/2	110	110	1992	1547	1697	300	18.5



PROPRIETARY & CONFIDENTIAL
THE INFORMATION CONTAINED IN THIS DRAWING IS THE SOLE PROPERTY OF TURTLE ENVIRO LTD. ANY REPRODUCTION IN PART OR AS A WHOLE WITHOUT THE WRITTEN PERMISSION OF TURTLE ENVIRO LTD IS PROHIBITED.

DRAWN BY: A.T
DRAWN DATE: 12/09/2023
APPROVED BY: J.R
APPROVED DATE: 12/09/2023

PRODUCT DESCRIPTION: **SILT BLOK**
PRODUCT/CODE: **SB300TE**
SCALE: 1:1 SHEET/SIZE: A3 REV: D