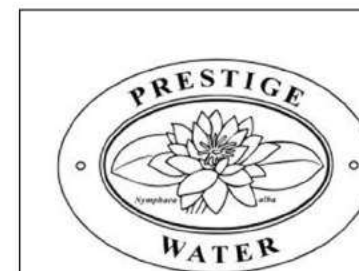
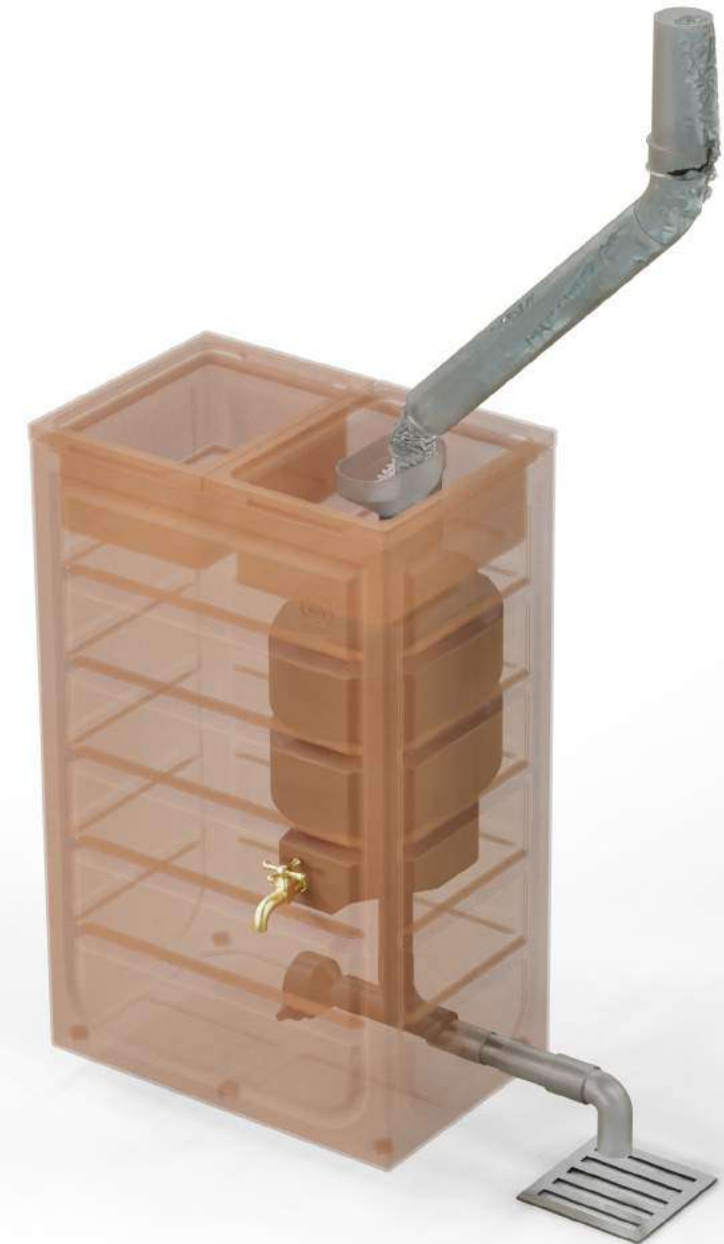
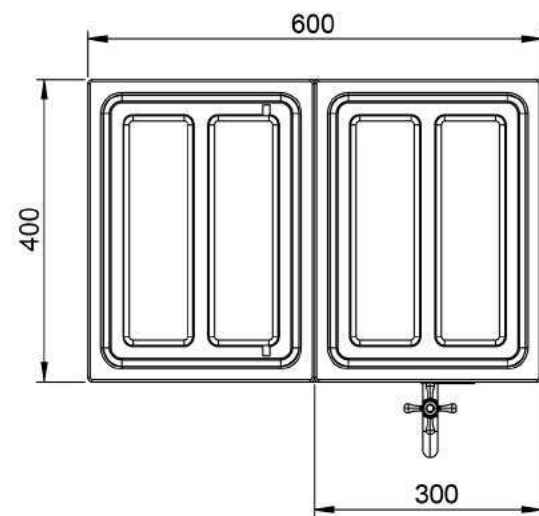


SECTION E-E



PRODUCT TITLE	SUDS Planter	DRAWN	SS
PRODUCT CODE	SUDS Planter	CHECKED	HQ
WEIGHT	15 kg	APPROVED	JP
MATERIAL	MDPE	APPROVED DATE	12/01/2024
PROPRIETARY & CONFIDENTIAL THE INFORMATION CONTAINED IN THIS DRAWING IS THE SOLE PROPERTY OF FREEFLUSH LIMITED. ANY REPRODUCTION IN PART OR AS A WHOLE WITHOUT THE WRITTEN PERMISSION OF FREEFLUSH LIMITED IS PROHIBITED.		SCALE	1:10
		SHEET/ SIZE	A3
		REVISION	00