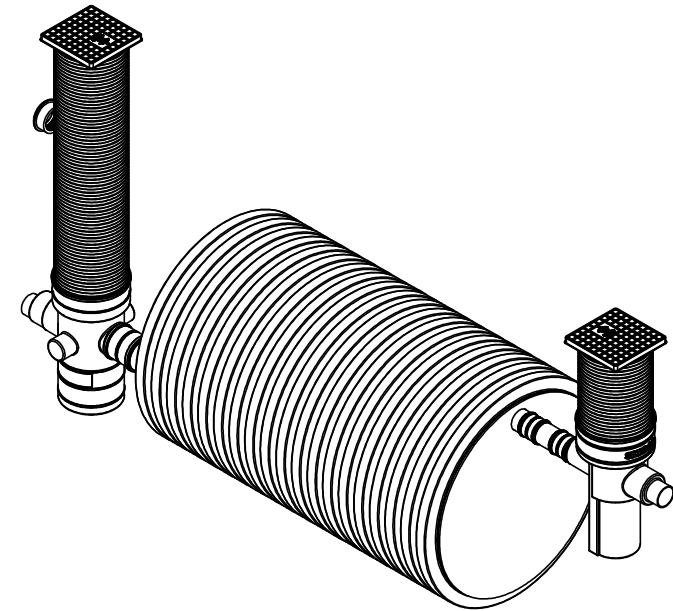
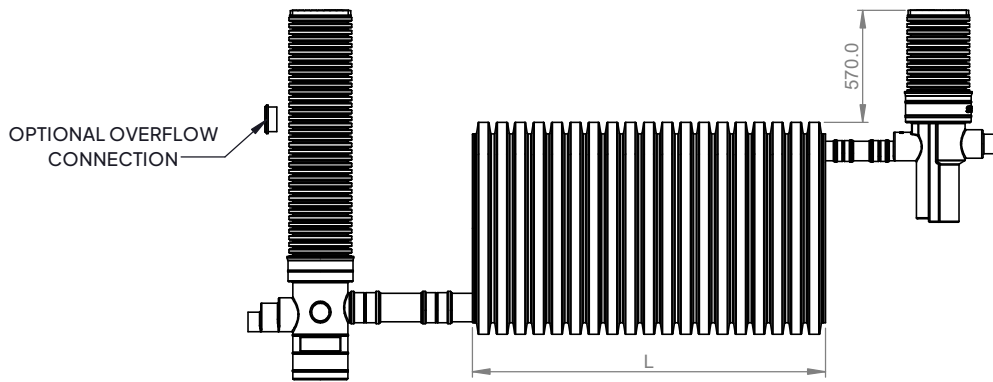




DETAIL B
ORIFICE PLATE DETAIL



PRODUCT CODE	System Storage	Pipework	Minimum	Minimum	Tank
	Maximum	Connections	Cover	Cover	Length
	Attenuation	∅	(Garden)	(Driveway)	L
	Volume				
	Litres	(mm)	(mm)	(mm)	(mm)
PASO10502000	2000	110-160	300	500	1980
PASO10503000	2950	110-160	300	500	3000
PASO10504000	3800	110-160	300	500	3975
PASO10505500	5500	110-160	300	500	6000
PASO10509000	9000	110-160	300	500	10000
PASO105012000	12000	110-160	300	500	13500

No connecting pipework is provided with this model.

 PELICAN <small>TM</small> PACKAGED PLOT ATTENUATION SYSTEMS	PROPRIETARY & CONFIDENTIAL THE INFORMATION CONTAINED IN THIS DRAWING IS THE SOLE PROPERTY OF TURTLE ENVIRO LTD. ANY REPRODUCTION IN PART OR AS A WHOLE WITHOUT THE WRITTEN PERMISSION OF TURTLE ENVIRO LTD IS PROHIBITED.	DRAWN BY: A.T	PRODUCT DESCRIPTION: PELICAN - STORMWATER MANAGEMENT		
		DRAWN DATE: 12/10/2023			
		APPROVED BY: J.R	PRODUCT/CODE: PASO1050 SERIES		
		APPROVED DATE: 12/10/2023	SCALE: 1:30	SHEET/SIZE: A3	REV: 1