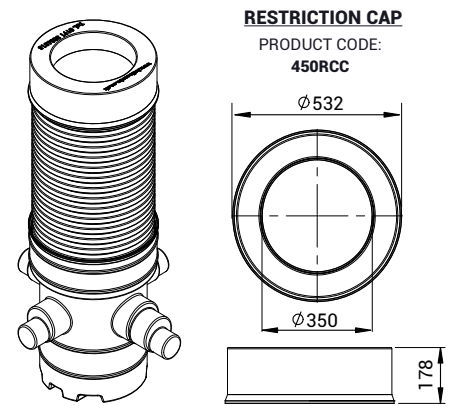


RESTRICTION CAP
 NEW DESIGN & CONSTRUCTION GUIDANCE (DCG), HAS NOW EFFECTIVELY SUPERCEDED SFA7 (SEWERS FOR ADOPTION 7). DCG STATES THAT ACCESS MUST BE RESTRICTED TO A MAXIMUM OF 350MM.

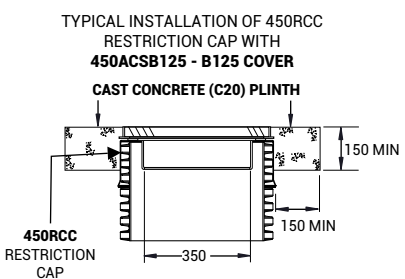
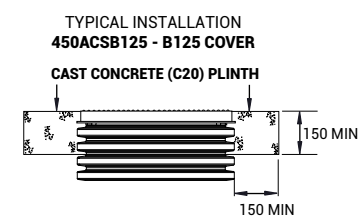
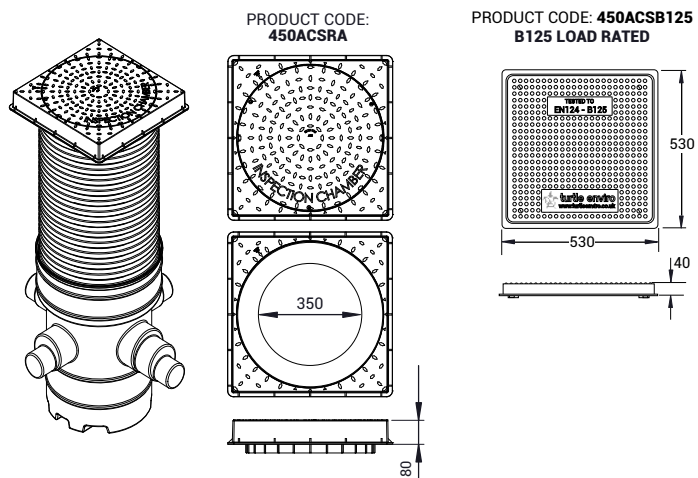
OUR 450RCC - RESTRICTION CAP IS DESIGNED TO FIT OVER THE 450Ø ACCESS SHAFT AND PROVIDES A Ø350MM ACCESS.



ACCESS COVERS

450ACSRA - A15 LOAD ACCESS COVER - FITS DIRECTLY INTO THE 450Ø CHAMBER SHAFT. THE FRAME ITSELF HAS A Ø350MM ACCESS, INTERNALLY MOULDED. SO CAN ALSO BE USED FOR DEEPER CHAMBERS, REQUIRING RESTRICTED ACCESS. THE COVER LOADING IS A15 RATED.

NEW 450ACSB125 - B125 LOAD TESTED ACCESS COVER - PLEASE NOTE: B125 COVERS NEED TO BE INSTALLED INTO A CONCRETE PLINTH (AS DETAILS BELOW).



Product Code	Chamber internal Ø (mm)	Inlet pipework options Ø (mm)	Outlet pipework options Ø (mm)	Depth A (mm)	Invert inlet B (mm)	Approx. Weight (Kg)
OFCP450/1	450	110 - 160	110 - 160	1015	695	12
OFCP450/1.5	450	110 - 160	110 - 160	1495	1175	19.5
OFCP450/2	450	110 - 160	110 - 160	1950	1630	24
OFCP450/2.4	450	110 - 160	110 - 160	2410	2090	28.5
OFCP450/3	450	110 - 160	110 - 160	3025	2705	34

PROPRIETARY & CONFIDENTIAL

THE INFORMATION CONTAINED IN THIS DRAWING IS THE SOLE PROPERTY OF TURTLE ENVIRO. ANY REPRODUCTION IN PART OR AS A WHOLE WITHOUT THE WRITTEN PERMISSION OF TURTLE ENVIRO IS PROHIBITED.



DRAWN BY A.T	CONTRACT
DRAWN DATE 13/5/2022	
APPROVED BY D.A	PRODUCT DESCRIPTION ORIFLO P SERIES - UNPROTECTED PLATE
APPROVED DATE 13/5/2022	PRODUCT RANGE OFCP450
SCALE:	SHEET/SIZE A4
REV:	1