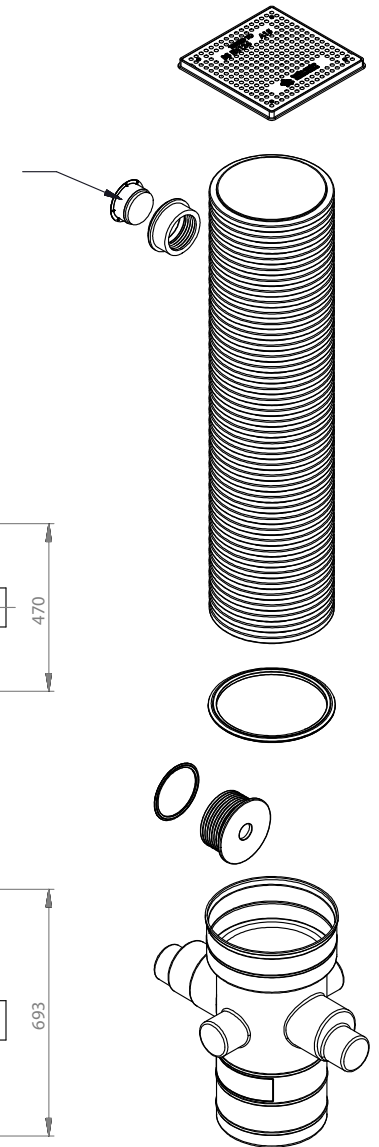


BASE ONLY

OVERFLOW OPTIONAL



PRODUCT CODE	Main Pipework Connections Ø (mm)	Optional Side Inlets (mm)	Overall Depth A (mm)	Inlet Invert B (mm)	Outlet Invert C (mm)	Chamber Diameter D (mm)	Approx Weight Kg
OFCP300/2	110 or 160	2 x 110	2030	1700	1755	300	22



PROPRIETARY & CONFIDENTIAL

THE INFORMATION CONTAINED IN THIS DRAWING IS THE SOLE PROPERTY OF TURTLE ENVIRO LTD. ANY REPRODUCTION IN PART OR AS A WHOLE WITHOUT THE WRITTEN PERMISSION OF TURTLE ENVIRO LTD IS PROHIBITED.

DRAWN BY: A.T	PRODUCT DESCRIPTION: P SERIES - UNPROTECTED PLATE		
DRAWN DATE: 15/06/2023	PRODUCT CODE: OFCP300/2		
APPROVED BY: D.A	SCALE: 1:15	SHEET/SIZE: A3	REV: 1
APPROVED DATE: 15/06/2023			