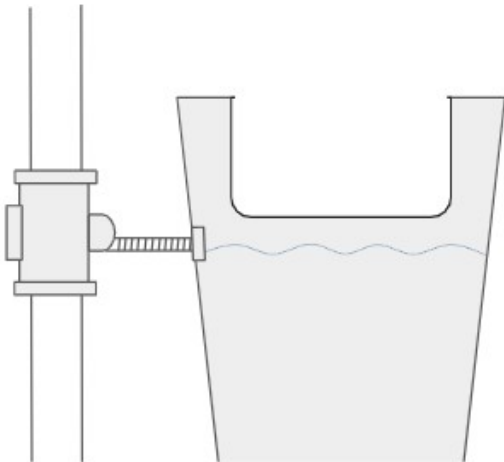


Thank you for purchasing a Prestige Water butt.

Water butts can be installed either with a diverter which also acts as an overflow or with direct rainwater inlet and separate overflow. The benefit of a diverter is it also acts as the overflow, however the yield will depend on the diverter selected. The benefit of a direct inlet allows all the water to be captured instead of a proportion, combining this with a leaf catcher allows visible and accessible maintenance.

Diverter installation

Please follow the instructions provided with the diverter. Ensure that the diverter sits below the planter level as shown on the diagram below.



Offset kit / overflow installation

To install the leaf catcher, simply drill a hole the same diameter as the leaf catcher spigot then place the leaf catcher in the hole and sit the downpipe in the leaf catcher (see image below).

To install the overflow, drill a hole the same diameter as the overflow (ensure that the overflow sits just below the planter as shown on the image below).

