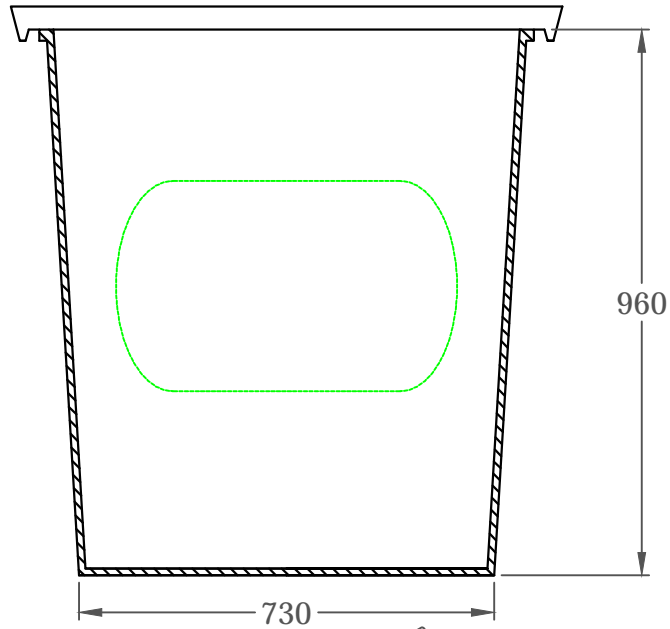
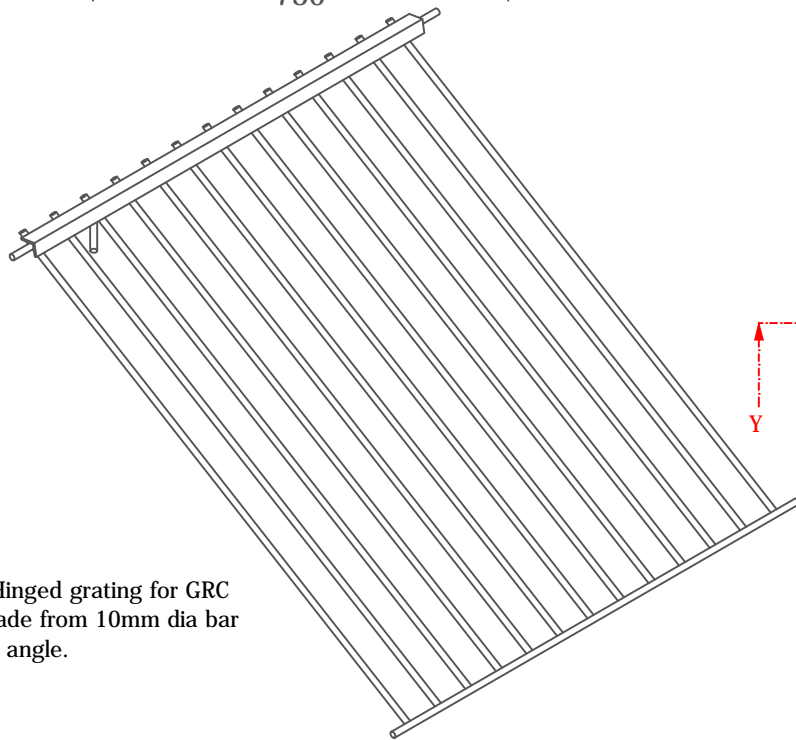
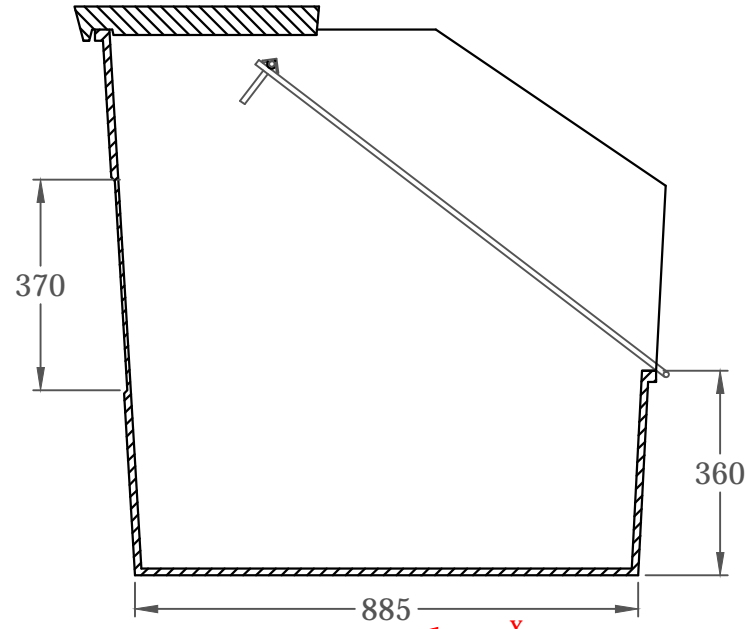


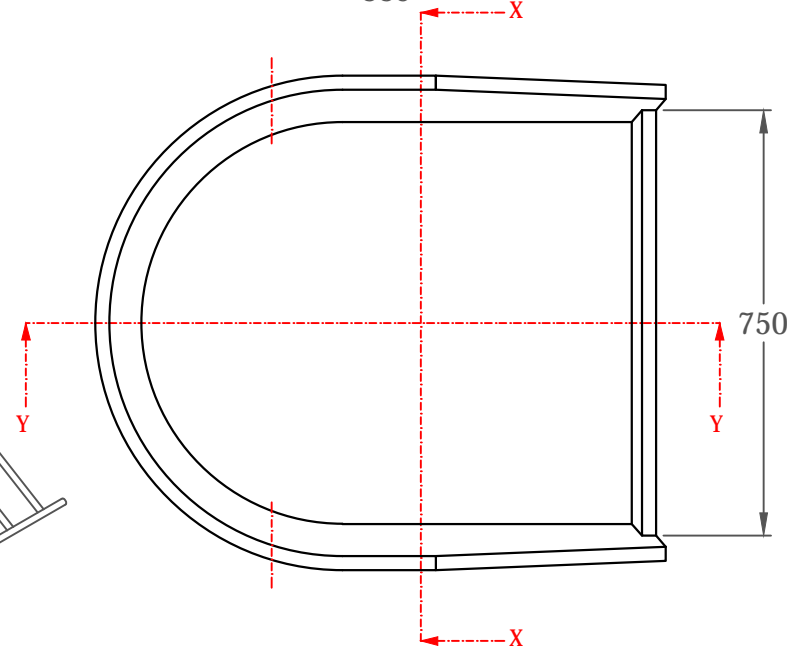
Section XX



Section YY



Standard Hinged grating for GRC silt trap made from 10mm dia bar and 25x25 angle.



Plan View with grating and lid removed

- NOTES:**
- All dimensions in mm U.O.S
 - All measurements ± 1mm
- Material**
- Characteristic compressive strength of Glass Reinforced Concrete = 60N/mm²
 - Characteristic flexural strength of Glass Reinforced Concrete = 6N/mm²
 - Free water Cement ratio: <0.55
 - Glass fibres - 63kg/m³
 - Specification: XA2, DS2, DC2



ADDRESS: JKH LIMITED
 HAMPSTEAD AVENUE
 MELDENHALL
 IP28 7AS

TEL: 01438 713785
 FAX: 01438 582507
 EMAIL: info@jkhhd.co.uk
 WEBSITE: www.jkhhd.co.uk

PROPRIETARY & CONFIDENTIAL

The information contained in this drawing is the sole property of J.K.H Drainage Units Limited.
 Any reproduction in part or in whole without the written permission of J.K.H Drainage Units Limited is strictly prohibited.

DRAWING TITLE / PROJECT:

GRC Curved Back Silt Trap
 (Glass Reinforced Cement)

CLIENT:	Client	
SCALE:	NTS	DRAWING DATE: 17/07/2019
TOTAL WEIGHT:	130kg	
DRAWN BY:	LC	CHECKED BY: -
DRAWING No:		

GRC Curved Back Silt Trap

DO NOT SCALE DRAWING