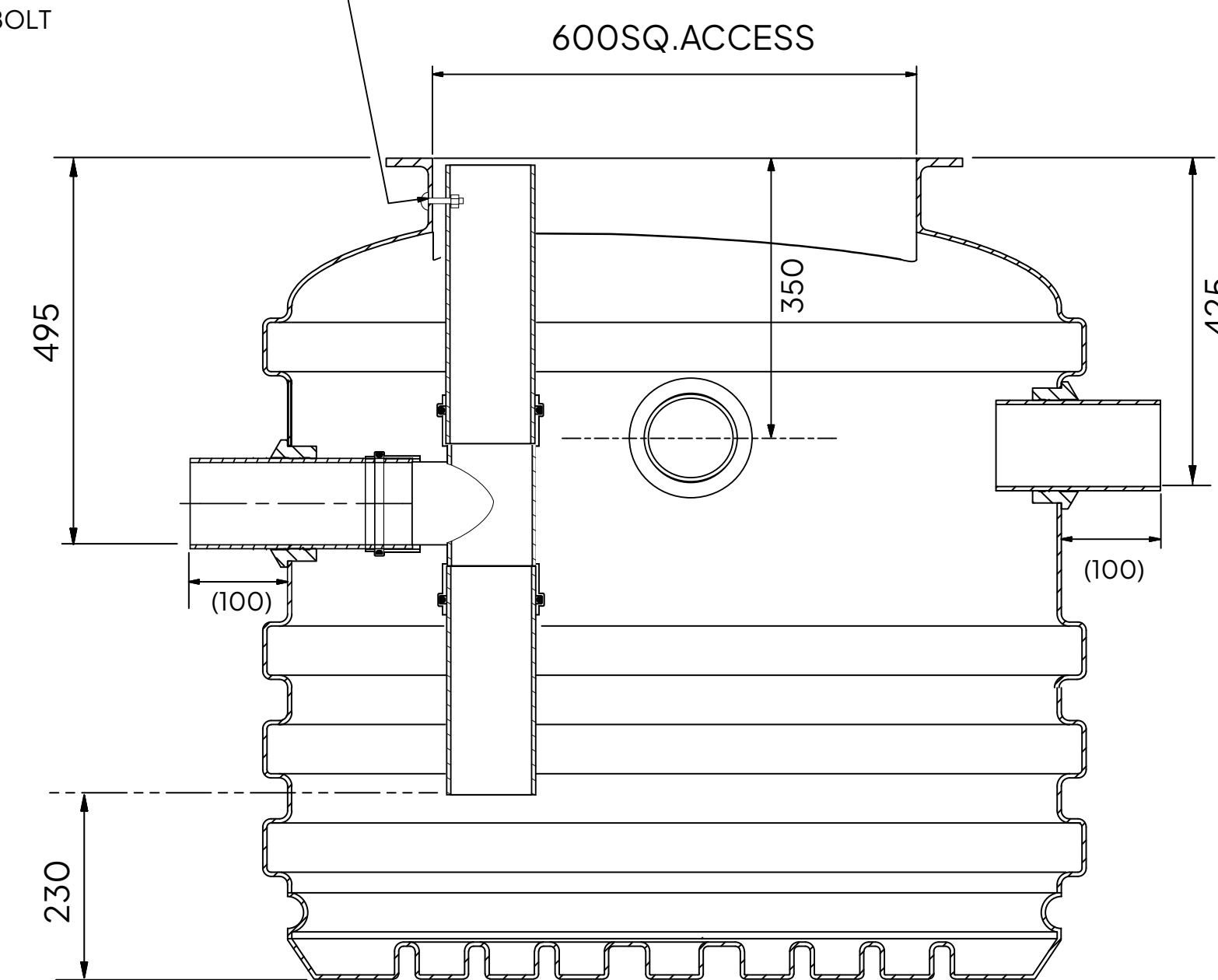
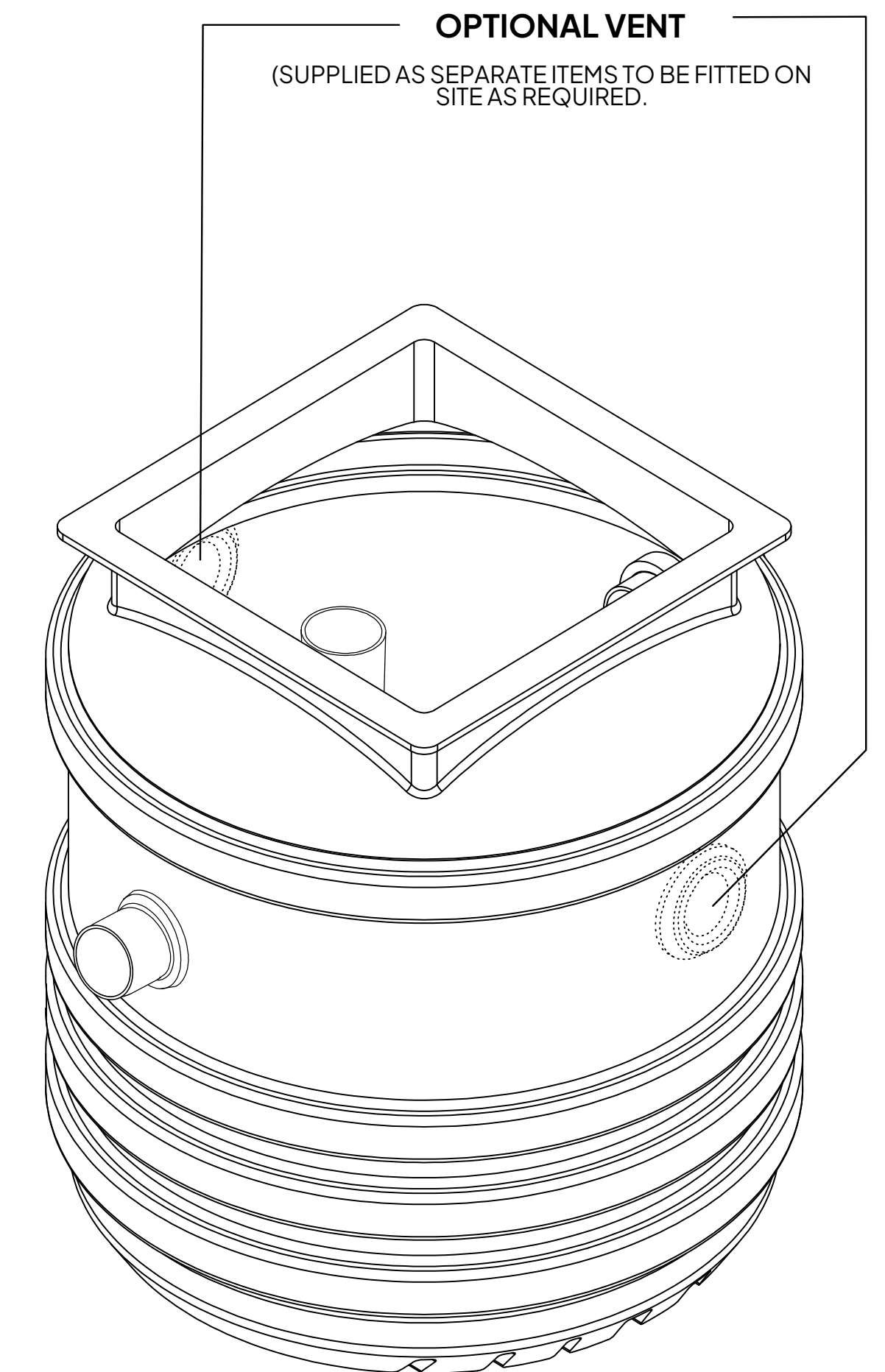


OUTLET PIPEWORK IS SECURED TO ACCESS NECK WALL WITH M12 COACH BOLT



SECTION A-A



PROPRIETARY & CONFIDENTIAL
 THE INFORMATION CONTAINED IN THIS DRAWING IS THE SOLE PROPERTY OF TURTLE ENVIRO LIMITED. ANY REPRODUCTION IN PART OR AS A WHOLE WITHOUT THE WRITTEN PERMISSION OF TURTLE ENVIRO IS PROHIBITED.

PRODUCT DESCRIPTION FOGi FAT OIL & GREASE INTERCEPTORS™	DRAWN BY A.T	CONTRACT		
	DRAWN 2/07/2023	PRODUCT CODE FNS2		
	APPROVED BY D.A			
	APPROVED DATE 2/07/2023	SCALE:	SHEET/SIZE	REV:1