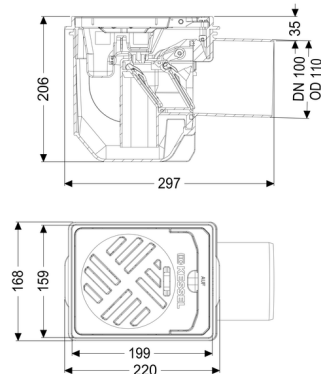
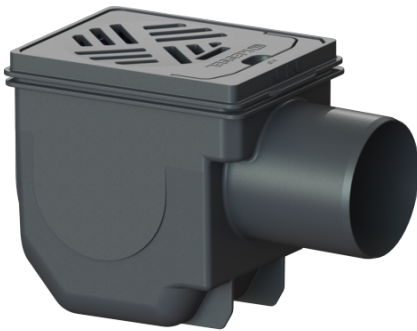


## Drehfix basement drain DN 100, Black grating, Type 5



### Article information

Item no.: 27301  
 GTIN: 4026092007815  
 Price group: 10

### Advantages

- Integrated backwater protection
- Simple
- toolless maintenance and cleaning
- Ideal for modernisation: compact installation dimension makes installation in the recess of old cast iron drains possible

### Description

The basement drain for faecal-free wastewater is equipped with two mechanical flaps which close automatically in the event of backwater. One flap serves at the same time as an emergency closure to be closed by hand.

Type of wastewater: wastewater without sewage  
 Installation situation: floor slab installation

### Version:

Odour trap: included  
 Emergency closure: yes  
 Delivery state: installation-ready  
 Backwater protection: Type 5  
 Number of mechanical backwater flaps: 2

### General characteristics:

Nominal size (DN): 100  
 Outer diameter (OD): 110  
 Colour: black

Standard: EN 1253, EN 13564

### Dimensions:

Length: 285 mm  
Width: 168 mm  
Cutout dimension, length: 320 mm  
Cutout dimension, width: 190 mm

### Tank:

Installation depth: 210 - 240 mm  
Vertical adjustment: vertically adjustable upper section

### Coverage features:

Type of cover: Slotted cover  
Colour of cover: black  
Load class: K 3 (EN 1253-1)  
Sludge bucket: yes

### Grating:

Grating colour: black  
Grating material: Polymer  
Grid size, width: 150 mm  
Grid size, height: 14 mm  
Grid size, length: 190 mm  
  
Discharge rate (l/s) with 20 mm backwater: 1.8 l/s