

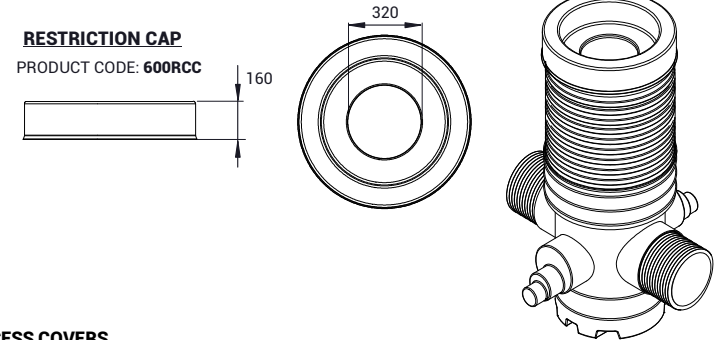
Product Code	Main pipework connections Ø (mm)	Optional Side Inlets Ø (mm)	Depth A (mm)	Inlet Invert B (mm)	Soffit Depth C (mm)	Approx. Weight (kg)
AICCP600B (Base Only)	160 EN 1401 225/300 twinwall	110/160 EN 1401 225 twinwall	1010	675	425	17.5
AICCP600B/1	160 EN 1401 225/300 twinwall	110/160 EN 1401 225 twinwall	1075	740	490	26
AICCP600B/1.5	160 EN 1401 225/300 twinwall	110/160 EN 1401 225 twinwall	1555	1220	970	35
AICCP600B/2	160 EN 1401 225/300 twinwall	110/160 EN 1401 225 twinwall	1945	1610	1360	43
AICCP600B/2.4	160 EN 1401 225/300 twinwall	110/160 EN 1401 225 twinwall	2335	2000	1750	51
AICCP600B/3	160 EN 1401 225/300 twinwall	110/160 EN 1401 225 twinwall	3005	2670	2420	63

Please Note: Chambers deeper than 1000mm to soffit of pipework (C), require a Restriction Cap 600RCC to comply with DCG.

RESTRICTION CAPS

NEW DESIGN & CONSTRUCTION GUIDANCE (DCG), HAS NOW EFFECTIVELY SUPERCEDED SFA7 (SEWERS FOR ADOPTION 7). DCG STATES THAT ACCESS MUST BE RESTRICTED TO A MAXIMUM OF 350MM, ON ANY TYPE D OR E INSPECTION CHAMBER, DEEPER THAN 1000MM FROM COVER LEVEL TO SOFFIT OF PIPE.

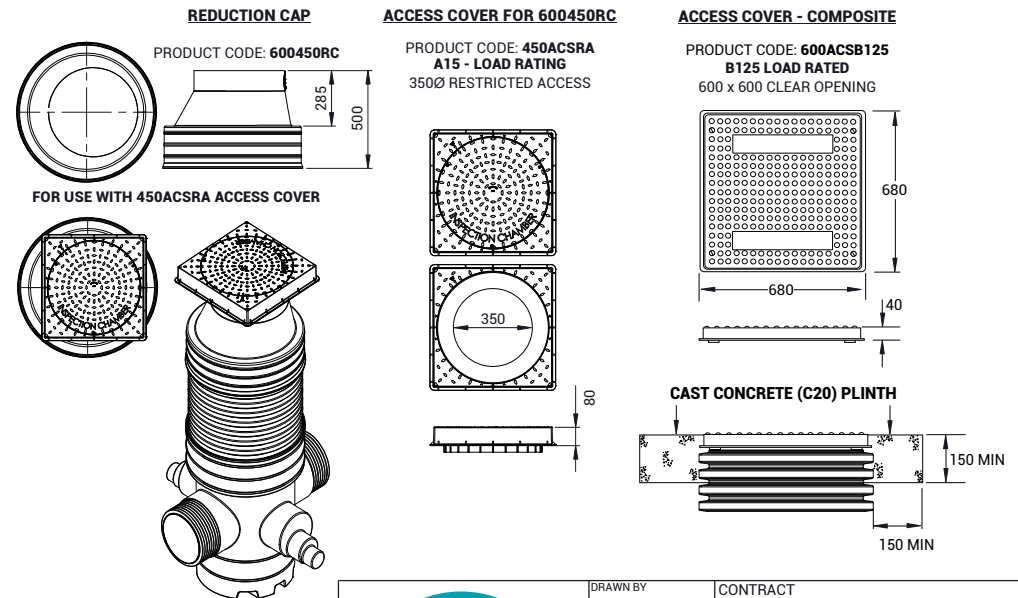
OUR 600RCC - RESTRICTION CAP IS DESIGNED TO FIT OVER THE ACCESS SHAFT AND PROVIDE A Ø320MM ACCESS.



REDUCTION CAP & ACCESS COVERS

ALTERNATIVELY CHAMBERS CAN BE SUPPLIED WITH OUR **600450RC** - REDUCTION CAP, WHICH WILL ACCOMMODATE OUR ACCESS COVER **450ACSRA**, WHICH FITS DIRECTLY INTO THE CAP. THE FRAME HAS THE REQUIRED RESTRICTED ACCESS OF Ø350MM MOULDED INTEGRALLY. THE COVER LOADING IS A15 RATED.

IF REQUIRED A B125 LOADING ACCESS COVER CAN BE PROVIDED **600ACSB125**. PLEASE NOTE: THIS NEEDS TO BE INSTALLED INTO A CONCRETE PLINTH (SEE DETAIL BELOW).



PROPRIETARY & CONFIDENTIAL

THE INFORMATION CONTAINED IN THIS DRAWING IS THE SOLE PROPERTY OF TURTLE ENVIRO DRAINNOVATION ANY REPRODUCTION IN PART OR AS A WHOLE WITHOUT THE WRITTEN PERMISSION OF TURTLE ENVIRO IS PROHIBITED.



DRAWN BY A.T	CONTRACT		
DRAWN DATE 4/2/2022	PRODUCT DESCRIPTION BLUE RANGE 600 SERIES - CATCHPITS		
APPROVED BY D.A	PRODUCT/CODE	AICCP600B	
APPROVED DATE 4/2/2022	SCALE:	SHEET/SIZE	A4 REV: 1