

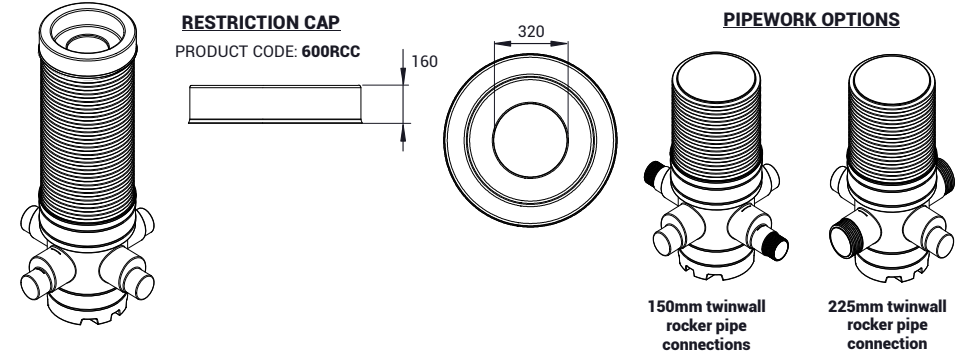
Product Code	Main pipework connections Ø (mm)	Optional Side Inlets Ø (mm)	Depth A (mm)	Inlet B (mm)	Soffit C (mm)	Approx. Weight (kg)
AICCP600225150B (Base Only)	150-225	150-225	920	580	355	16
AICCP600225150B/1	150-225	150-225	1055	715	490	28
AICCP600225150B/1.5	150-225	150-225	1450	1110	885	36
AICCP600225150B/2	150-225	150-225	1965	1625	1400	46
AICCP600225150B/2.4	150-225	150-225	2355	2015	1790	54
AICCP600225150B/3	150-225	150-225	3005	2665	2440	66

Please Note: Chambers deeper than 1000mm to soffit of pipework (C), require a Restriction Cap 600RCC to comply with DCG.

RESTRICTION CAPS

NEW DESIGN & CONSTRUCTION GUIDANCE (DCG), HAS NOW EFFECTIVELY SUPERCEDED SFA7 (SEWERS FOR ADOPTION 7). DCG STATES THAT ACCESS MUST BE RESTRICTED TO A MAXIMUM OF 350MM, ON ANY TYPE D OR E INSPECTION CHAMBER, DEEPER THAN 1000MM FROM COVER LEVEL TO SOFFIT OF PIPE.

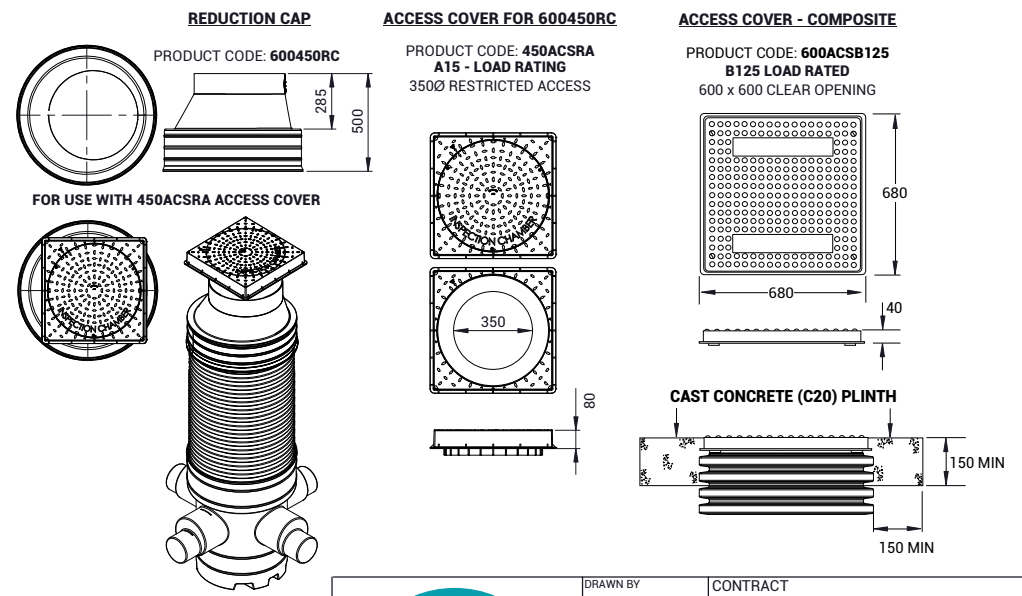
OUR 600RCC - RESTRICTION CAP IS DESIGNED TO FIT OVER THE ACCESS SHAFT AND PROVIDE A Ø320MM ACCESS.



REDUCTION CAP & ACCESS COVERS

ALTERNATIVELY CHAMBERS CAN BE SUPPLIED WITH OUR **600450RC** - REDUCTION CAP, WHICH WILL ACCOMMODATE OUR ACCESS COVER **450ACSRA**, WHICH FITS DIRECTLY INTO THE CAP. THE FRAME HAS THE REQUIRED RESTRICTED ACCESS OF Ø350MM MOULDED INTEGRALLY. THE COVER LOADING IS A15 RATED.

IF REQUIRED A B125 LOADING ACCESS COVER CAN BE PROVIDED **600ACSB125**. PLEASE NOTE: THIS NEEDS TO BE INSTALLED INTO A CONCRETE PLINTH (SEE DETAIL BELOW).



PROPRIETARY & CONFIDENTIAL

THE INFORMATION CONTAINED IN THIS DRAWING IS THE SOLE PROPERTY OF TURTLE ENVIRO DRAINNOVATION ANY REPRODUCTION IN PART OR AS A WHOLE WITHOUT THE WRITTEN PERMISSION OF TURTLE ENVIRO IS PROHIBITED.



DRAWN BY A.T	CONTRACT
DRAWN DATE 4/2/2022	
APPROVED BY D.A	PRODUCT DESCRIPTION BLUE RANGE 600 SERIES - CATCHPITS
APPROVED DATE 4/2/2022	PRODUCT/CODE AICCP600225150B
SCALE:	SHEET/SIZE A4
REV:	1