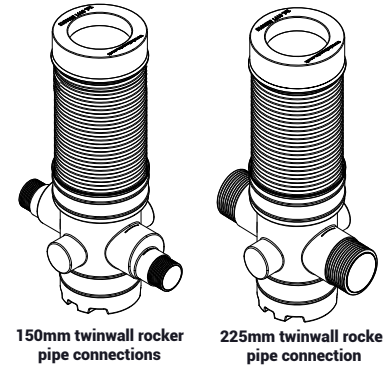


PIPEWORK OPTIONS



RESTRICTION CAPS & ACCESS COVERS

NEW DESIGN & CONSTRUCTION GUIDANCE (DCG), HAS NOW EFFECTIVELY SUPERCEDED SFA7 (SEWERS FOR ADOPTION 7). DCG STATES THAT ACCESS MUST BE RESTRICTED TO A MAXIMUM OF 350MM, ON ANY TYPE D OR E INSPECTION CHAMBER, DEEPER THAN 1000MM FROM COVER LEVEL TO SOFFIT OF PIPE.

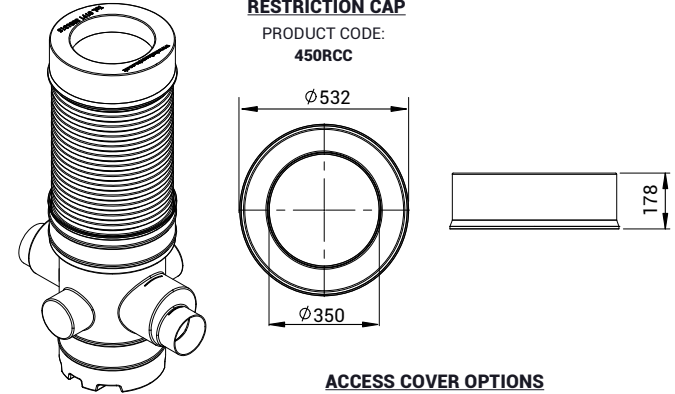
OUR 450RCC - RESTRICTION CAP IS DESIGNED TO FIT OVER THE ACCESS SHAFT AND PROVIDE A Ø350MM ACCESS.

ALTERNATIVELY CHAMBERS CAN BE SUPPLIED WITH EITHER OF THE TWO ACCESS COVERS - SQUARE SECTION 450ACSRA WHICH HAS A MOULDED 350MM Ø RESTRICTION BAFFLE INTERNALLY. OR OUR 450ACTC CIRCULAR COVER FOR SHALLOWER INSTALLATION.

BOTH COVERS FIT DIRECTLY ONTO THE CHAMBER ACCESS SHAFT THE LOADINGS ON BOTH COVERS IS A15 RATED.

RESTRICTION CAP

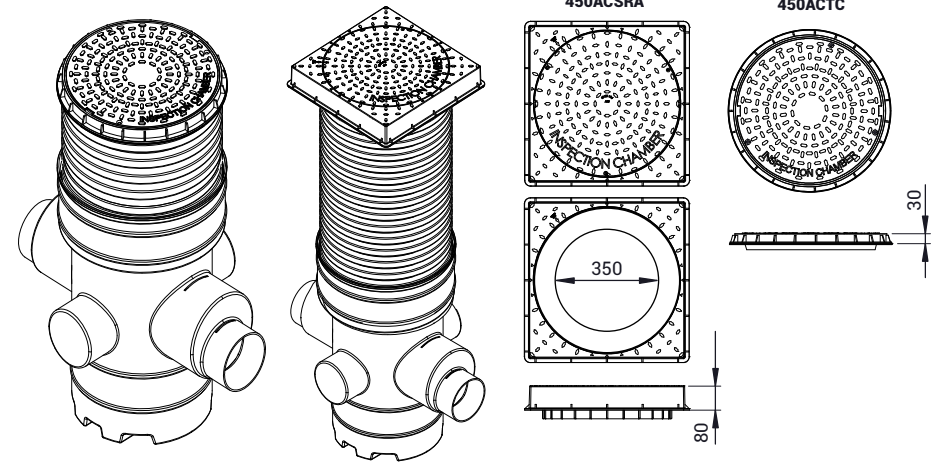
PRODUCT CODE:
450RCC



ACCESS COVER OPTIONS

PRODUCT CODE:
450ACSRA

PRODUCT CODE:
450ACTC



Product Code	Main pipework Connections Ø (mm)	Optional Side Inlets Ø (mm)	Depth A (mm)	Inlet Invert B (mm)	Soffit Depth C (mm)	Approx. Weight (kg)
AICCP450225150B (Base Only)	150-225	150	850	550	325	8
AICCP450225150B/1	150-225	150	1077	777	552	14.5
AICCP450225150B/1.5	150-225	150	1489	1189	964	19
AICCP450225150B/2	150-225	150	2000	1700	1475	24.5
AICCP450225150B/2.4	150-225	150	2370	2070	1845	29.5
AICCP450225150B/3	150-225	150	3000	2700	2475	36

Please Note: Chambers deeper than 1000mm to soffit of pipework, require a Restriction Cap 450RCC to comply with DCG.

PROPRIETARY & CONFIDENTIAL

THE INFORMATION CONTAINED IN THIS DRAWING IS THE SOLE PROPERTY OF TURTLE ENVIRO DRAINNOVATION ANY REPRODUCTION IN PART OR AS A WHOLE WITHOUT THE WRITTEN PERMISSION OF TURTLE ENVIRO IS PROHIBITED.



DRAWN BY A.T	CONTRACT
DRAWN DATE 12/01/2022	
APPROVED BY D.A	PRODUCT DESCRIPTION BLUE RANGE - 450 SERIES CATCHPIT
APPROVED DATE 12/11/2022	PRODUCT/CODE AICCP450225150B
SCALE:	SHEET/SIZE A3
REV:	1