

**NEW  
MODEL**

surface water systems

**bluerange**

**1050 SERIES  
catch-pit chambers**



MODEL: **AICCP1050B**

1050mm internal diameter - Factory built inspection chamber catch-pits, delivered to site as single piece units, ready to install, no assembly required.

The catch - pit base unit is manufactured from high strength polyethylene, with the option of either - Ø300mm or Ø450mm twinwall pipe connections, which are supplied with factory fitted rocker pipe connections. The base has 3 x Ø300mm inlets and a Ø450mm option to main inlet and outlet.

If required, chambers can be supplied with factory fitted ladders for full access.



**Application**

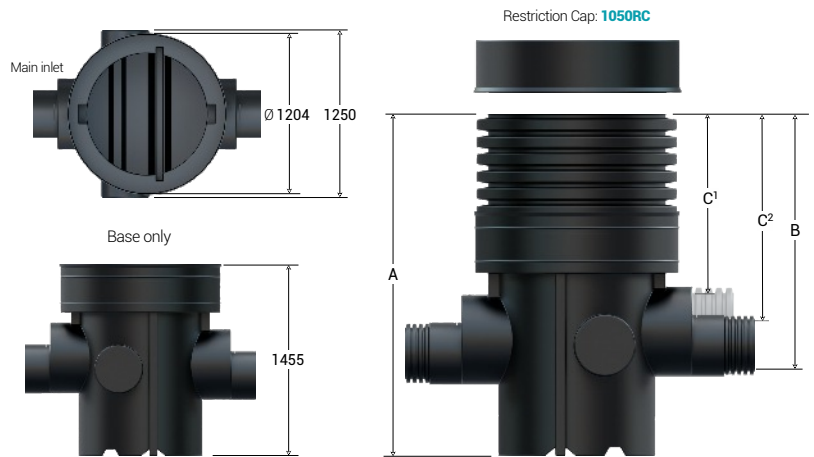
- Above ground access for inspection and maintenance of surface water pipework systems
- Suitable for Adoptable and Non-Adoptable applications
- Maximum installation depth to soffit of pipe - Adoptable 3000mm and Non-Adoptable 3000mm

**Compliance**

- Design & Construction Guidance (DCG) - Type D & E chambers
- EN 13598 Part 1 & 2 (2009)
- Building Regulations - Part H1

**Features & Benefits**

- Single piece - Factory built units
- Robust - Impact resistant roto moulded base
- Quick and simple to install
- 500mm sump depth
- Base and five standard depths available
- Compatible with all UK twinwall pipe systems
- Standard Pipework options - Ø300mm & Ø450mm
- Rocker pipe connections as standard
- Smaller pipework can be accommodated id required
- Four standard depths available for each pipework size
- Profiled base improves strength
- Restriction Caps are available for chambers deeper than 1 metre to soffit of inlet pipe, to meet DCG
- Access shafts can be easily cut onsite to required depth
- Large range of adaptors available to other pipe systems
- Granular backfill



Product Code	Main pipework connections Ø (mm)	Optional Side Inlets Ø (mm)	Overall Depth A (mm)	Inlet Invert B (mm)	Soffit Depth C <sup>1</sup> (mm)	Soffit Depth C <sup>2</sup> (mm)	Approx. Weight (kg)
<b>AICCP1050B</b> (Base only)	300 twinwall	2 x 300	1455	950	500	650	45
<b>AICCP1050B/1.5</b>	300 twinwall	2 x 300	1510	1005	555	705	70
<b>AICCP1050B/2</b>	300 twinwall	2 x 300	1930	1425	975	1125	90
<b>AICCP1050B/2.4</b>	300 twinwall	2 x 300	2350	1845	1395	1545	110
<b>AICCP1050B/3</b>	300 twinwall	2 x 300	2960	2455	2005	2155	145
<b>AICCP1050450B/1.5</b>	450 twinwall	2 x 300	1510	990	540	690	78
<b>AICCP1050450B/2</b>	450 twinwall	2 x 300	1930	1410	960	1110	98
<b>AICCP1050450B/2.4</b>	450 twinwall	2 x 300	2350	1830	1380	1530	118
<b>AICCP1050450B/3</b>	450 twinwall	2 x 300	2960	2440	1990	2040	153



**Restriction/Reduction Cap & Debris Cover**

<b>1050RC</b>	Restriction Cap with Ø350mm access opening to comply with DCG	17
<b>1050SR</b>	Sealing Ring for Restriction Cap to access shaft	9
<b>300DC</b>	Ø300mm Debris Cover	3

**Adaptors**

<b>TWR300225</b>	Adaptor to 225mm twinwall pipe socket	3.5
<b>TW300315HS</b>	Adaptor to 315mm FUNKE HS and single wall Upvc	3.5
<b>TW300300UR</b>	Adaptor to 300mm UltraRib	3.5
<b>TW300300PS</b>	Adaptor to 300mm Polysewer	3.5
<b>TW300300MQ</b>	Adaptor to 300mm Quantum	3.5



email: [sales@turtleenviro.co.uk](mailto:sales@turtleenviro.co.uk) | sales & technical support: tel. 0191 3036315 | [www.turtleenviro.co.uk](http://www.turtleenviro.co.uk)