



Product Type: Catchpit Chambers

Model: AICCP1050225150B

1050mm diameter, pre-assembled catchpit chamber, delivered ready to install. This model has a rotational moulded chamber base with 150mm or 225mm main channel socket connections including two further 110mm or 225mm side inlets at 90°, 270° off centre from the outlet at 0°. Side inlets are supplied as blanked ends that can be used as required.

Application

- Above ground access for inspection and maintenance of surface water pipe systems.
- Suitable for Adoptable and Non-Adoptable applications.
- Maximum installation depth to soffit of pipe - Adoptable 3000mm and Non-Adoptable 3000mm.

Built to the following standards

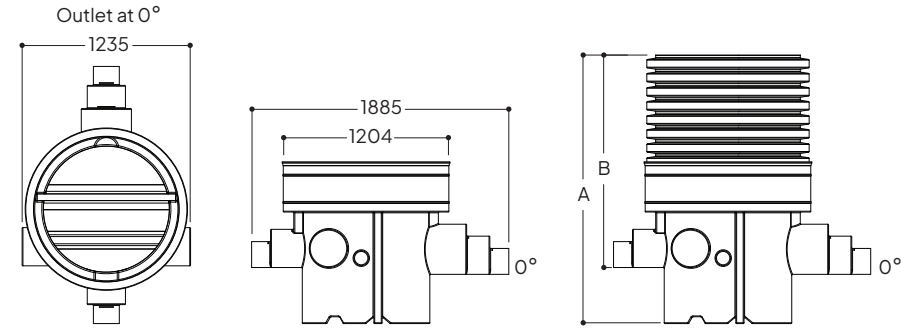
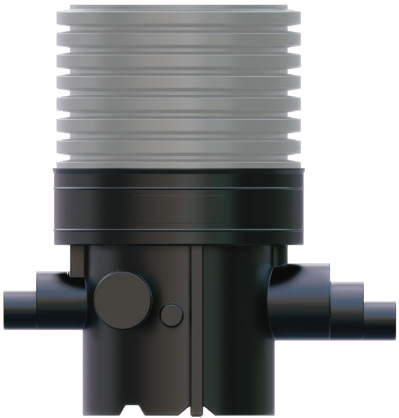
- Design & Construction Guidance (DCG) - Type D & E Chambers
- Buildings Regulations part H
- BS EN 13598-1 & 2
- BS EN 681-1

Features

- Single piece, pre-assembled chambers.
- Durable rotational moulded LLDPE base - chemical and impact resistant.
- 350mm sump depth.
- Compatible with all UK Twinwall pipe systems.
- Profiled base which improves overall strength.
- Base and four standard depths available.
- Access shafts are easily cut onsite to the required depth.
- Chambers can be installed in granular backfill.

Quality Assurance

Before leaving our factory, chambers are tested in accordance to required standards.



Model ref.	Main Pipework Connections Ø (mm)	Optional Side Inlets Ø (mm)	Overall Depth A (mm)	Inlet Invert B (mm)	Approx. Weight (kg)
AICCP1050225150B (Base)	150, 225, 300*	110, 225	1185	750	32
AICCP1050225150B/1.5	150, 225, 300*	110, 225	1450	1015	66
AICCP1050225150B/2	150, 225, 300*	110, 225	1970	1535	93
AICCP1050225150B/2.4	150, 225, 300*	110, 225	2385	1950	115
AICCP1050225150B/3	150, 225, 300*	110, 225	3010	2575	148

- Chambers over 1000mm soffit depth require our restriction caps to meet DCG.
- Inlet Invert measurements accurate to main channel socket. This measurement will vary depending on pipework used.
- *300mm Twinwall connection available on outlet connection only.

Ancillaries

Restriction Cap: 1050RC



The **1050RC** sits directly over the Ø1050mm chamber shaft to reduce down to Ø350mm to meet with DCG specification on restricted access. This can be paired with our 300DC Debris Cover to prevent rubble and dirt entering the chamber.

Pipework Adaptors



We provide a range of adaptors to connect to various pipework dimensions and pipework types including Marley Quantum, Polysewer and UltraRib.

(See separate data sheets for ancillaries)