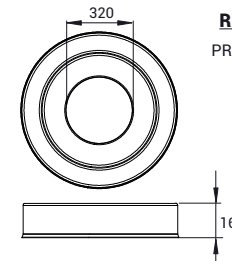


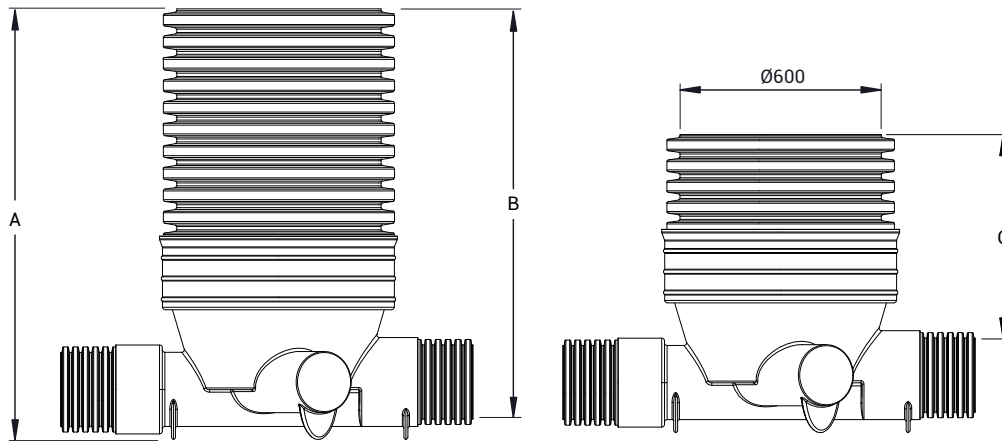
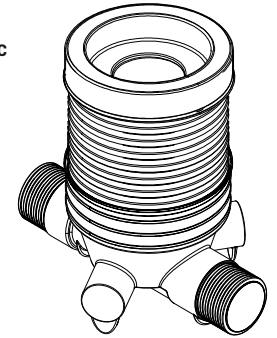
RESTRICTION CAPS

NEW DESIGN & CONSTRUCTION GUIDANCE (DCG), HAS NOW EFFECTIVELY SUPERCEDED Sfa7 (SEWERS FOR ADOPTION 7). DCG STATES THAT ACCESS MUST BE RESTRICTED TO A MAXIMUM OF 350MM, ON ANY TYPE D OR E INSPECTION CHAMBER, DEEPER THAN 1000MM FROM COVER LEVEL TO SOFFIT OF PIPE.

OUR 600RCC - RESTRICTION CAP IS DESIGNED TO FIT OVER THE ACCESS SHAFT AND PROVIDE A Ø320MM ACCESS.



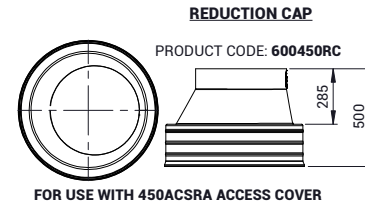
RESTRICTION CAP
PRODUCT CODE: **600RCC**



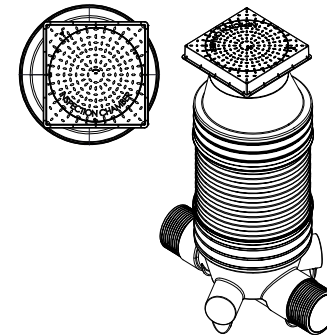
REDUCTION CAP & ACCESS COVERS

ALTERNATIVELY CHAMBERS CAN BE SUPPLIED WITH OUR **600450RC** - REDUCTION CAP, WHICH WILL ACCOMMODATE OUR ACCESS COVER **450ACSRA**, WHICH FITS DIRECTLY INTO THE CAP. THE FRAME HAS THE REQUIRED RESTRICTED ACCESS OF Ø350MM MOULDED INTEGRALLY. THE COVER LOADING IS A15 RATED.

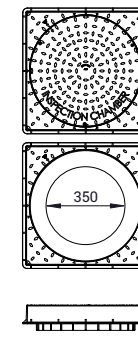
IF REQUIRED A B125 LOADING ACCESS COVER CAN BE PROVIDED **600ACSB125**. PLEASE NOTE: THIS NEEDS TO BE INSTALLED INTO A CONCRETE PLINTH (SEE DETAIL BELOW).



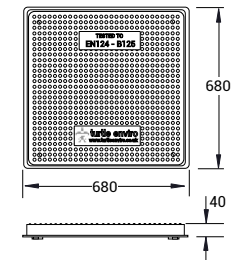
FOR USE WITH **450ACSRA** ACCESS COVER



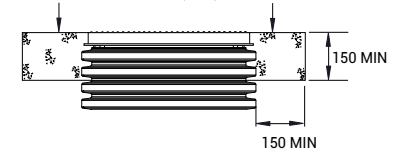
ACCESS COVER FOR 600450RC
PRODUCT CODE: **450ACSRA**
A15 - LOAD RATING
350Ø RESTRICTED ACCESS



ACCESS COVER - COMPOSITE
PRODUCT CODE: **600ACSB125**
B125 LOAD RATED
600 x 600 CLEAR OPENING



CAST CONCRETE (C20) PLINTH



Product Code	Main channel pipework Ø (mm)	Optional Side Inlets Ø (mm)	Depth A (mm)	Inlet Invert B (mm)	Soffit Depth C (mm)	Approx. Weight (kg)
AIC600225B (Base Only)	225	2 x 150 @ 60°	650	585	360	9
AIC600225B/1	225	2 x 150 @ 60°	1060	995	770	29
AIC600225B/1.5	225	2 x 150 @ 60°	1530	1465	1240	39
AIC600225B/2	225	2 x 150 @ 60°	1930	1865	1640	48.5
AIC600225B/2.4	225	2 x 150 @ 60°	2320	2255	2030	46
AIC600225B/3	225	2 x 150 @ 60°	3000	2935	2710	58

Please Note: Chambers deeper than 1000mm to soffit of pipework (C), require a Restriction Cap 600RCC to comply with DCG.

PROPRIETARY & CONFIDENTIAL

THE INFORMATION CONTAINED IN THIS DRAWING IS THE SOLE PROPERTY OF TURTLE ENVIRO DRAINNOVATION ANY REPRODUCTION IN PART OR AS A WHOLE WITHOUT THE WRITTEN PERMISSION OF TURTLE ENVIRO IS PROHIBITED.



DRAWN BY A.T	CONTRACT
DRAWN DATE 8/2/2022	
APPROVED BY D.A	PRODUCT DESCRIPTION BLUE RANGE - 600 SERIES
APPROVED DATE 8/2/2022	PRODUCT/CODE AIC600225B
SCALE:	SHEET/SIZE A4
REV:	1