

### Product Type: Inspection Chambers

#### Model: AIC600150B

600mm diameter, pre-assembled inspection chamber, delivered ready to install. This model has a rotational moulded chamber base with 150mm main channel socket connections including two further 150mm side inlets at 90°, 270° off centre from the outlet at 0°. Side inlets are supplied as blanked ends that can be used as required.

#### Application

- Above ground access for inspection and maintenance of surface water pipe systems.
- Suitable for Adoptable and Non-Adoptable applications.
- Maximum installation depth to soffit of pipe - Adoptable 3000mm and Non-Adoptable 3000mm.

#### Built to the following standards

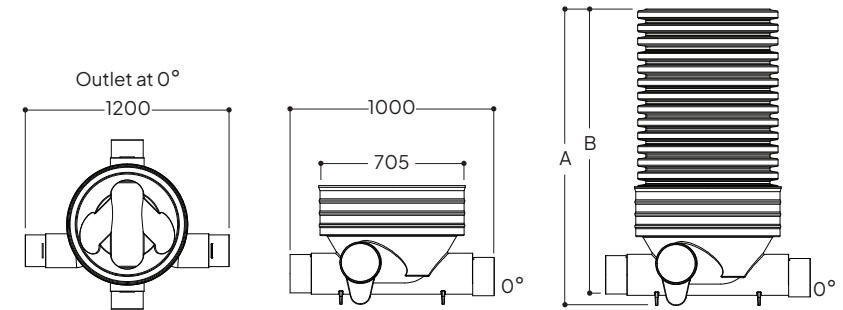
- Design & Construction Guidance (DCG) - Type D & E Chambers
- Buildings Regulations part H
- BS EN 13598-1 & 2
- BS EN 681-1

#### Features

- Single piece, pre-assembled chambers.
- Durable rotational moulded LLDPE base - chemical and impact resistant.
- Compatible with all UK Twinwall pipe systems.
- Profiled base which improves overall strength.
- Stepped base - 50mm step from side to main channel.
- Base and five standard depths available.
- Chambers include a fall from the main inlet to the outlet to help promote flow.
- Access shafts are easily cut onsite to the required depth.
- Chambers can be installed in granular backfill.

#### Quality Assurance

Before leaving our factory, chambers are tested in accordance to required standards.



Model ref.	Main Pipework Connections Ø (mm)	Optional Side Inlets Ø (mm)	Overall Depth A (mm)	Inlet Invert B (mm)	Approx. Weight (kg)
AIC600150B (Base)	150	150	580	520	10
AIC600150B/1	150	150	990	930	29
AIC600150B/1.5	150	150	1510	1450	37
AIC600150B/2	150	150	1965	1905	47
AIC600150B/2.4	150	150	2355	2295	55
AIC600150B/3	150	150	3000	2940	67

- Chambers over 1000mm soffit depth require our reduction/restriction caps to meet DCG.
- Inlet Invert measurements accurate to main channel socket. This measurement will vary depending on pipework used.

#### Ancillaries



Restriction Cap: **600RCC**

The **600RCC** sits directly over the Ø600mm chamber shaft to reduce down to Ø320mm to meet with DCG specification on restricted access.



Reduction Cap: **600450RC**

The **600450RC** Reduction Cap reduces the Ø600mm access to Ø450mm which allows for our 450ACSRA (square access cover) or our 450ACCRA (circular access cover) to be fitted. These covers have a built in restriction of Ø350mm to meet with DCG specification on restricted access.

(See separate data sheets for ancillaries)