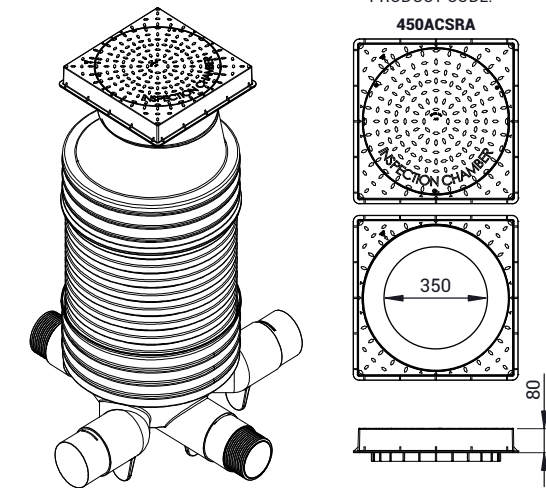
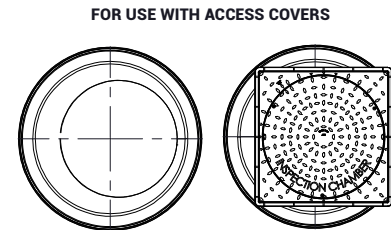
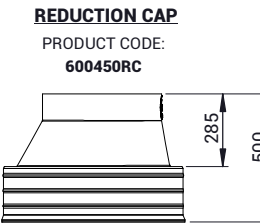
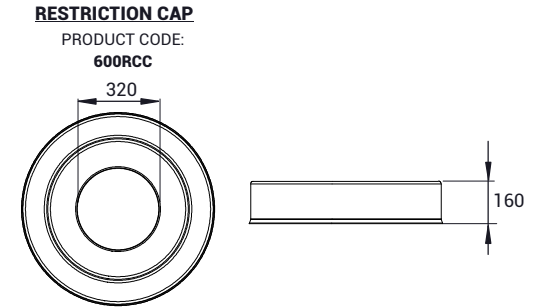
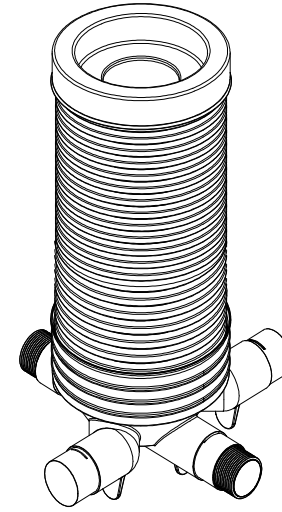
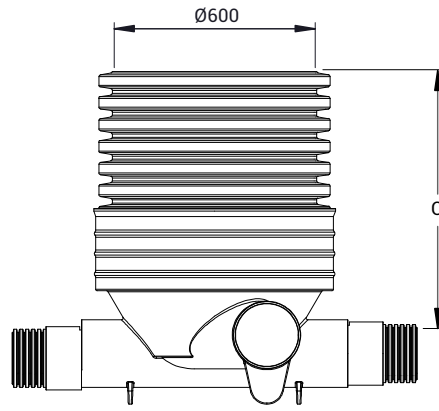
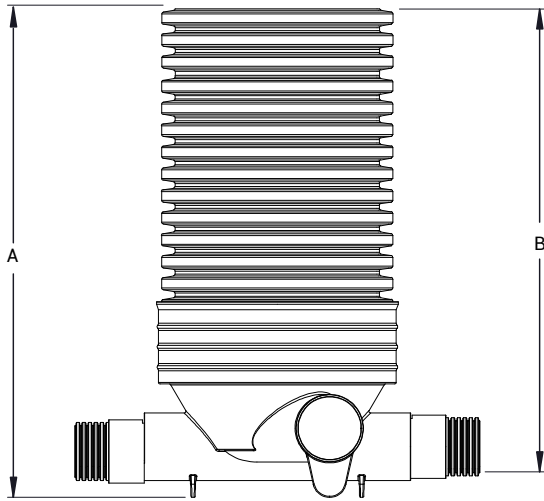
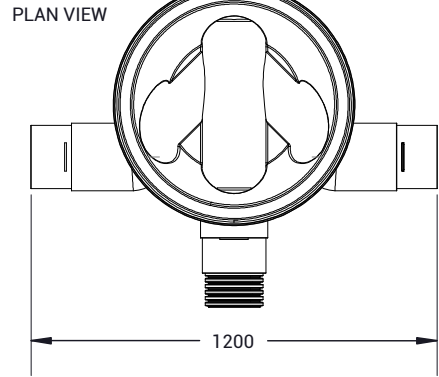
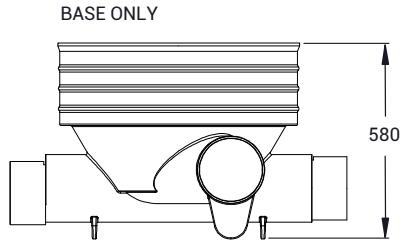


RESTRICTION CAPS & ACCESS COVERS

NEW DESIGN & CONSTRUCTION GUIDANCE (DCG), HAS NOW EFFECTIVELY SUPERCEDED Sfa7 (SEWERS FOR ADOPTION 7). DCG STATES THAT ACCESS MUST BE RESTRICTED TO A MAXIMUM OF 350MM, ON ANY TYPE D OR E INSPECTION CHAMBER, DEEPER THAN 1000MM FROM COVER LEVEL TO SOFFIT OF PIPE.

OUR 600RCC - RESTRICTION CAP IS DESIGNED TO FIT OVER THE ACCESS SHAFT AND PROVIDE A Ø320MM ACCESS.

ALTERNATIVELY CHAMBERS CAN BE SUPPLIED WITH OUR REDUCTION CAP - 600450RC AS DETAILED BELOW. THIS ACCOMMODATES OUR 450ASCRA ACCESS COVER - SQUARE SECTION WHICH HAS RESTRICTED ACCESS TO Ø350MM AND IS A15 LOAD RATED.



Product Code	Main channel pipework Ø (mm)	Optional Side Inlets Ø (mm)	Depth A (mm)	Inlet Invert B (mm)	Soffit Depth C (mm)	Approx. Weight (kg)
AIC600150B (Base Only)	150	2 x 150 @ 90°	580	520	355	10
AIC600150B/1	150	2 x 150 @ 90°	990	930	765	29
AIC600150B/1.5	150	2 x 150 @ 90°	1510	1450	1285	37
AIC600150B/2	150	2 x 150 @ 90°	1965	1905	1740	47
AIC600150B/2.4	150	2 x 150 @ 90°	2355	2295	2130	55
AIC600150B/3	150	2 x 150 @ 90°	3000	2940	2775	67

Please Note: Chambers deeper than 1000mm to soffit of pipework (C), require a Restriction Cap 600RCC to comply with DCG.

PROPRIETARY & CONFIDENTIAL

THE INFORMATION CONTAINED IN THIS DRAWING IS THE SOLE PROPERTY OF TURTLE ENVIRO DRAINNOVATION ANY REPRODUCTION IN PART OR AS A WHOLE WITHOUT THE WRITTEN PERMISSION OF TURTLE ENVIRO IS PROHIBITED.



DRAWN BY A.T	CONTRACT		
DRAWN DATE 13/1/2022	PRODUCT DESCRIPTION BLUE RANGE - 600 SERIES		
APPROVED BY D.A	PRODUCT/CODE AIC600150B		
APPROVED DATE 13/1/2022	SCALE:	SHEET/SIZE	A3 REV: 4