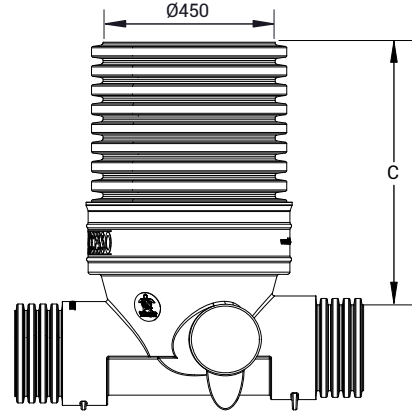
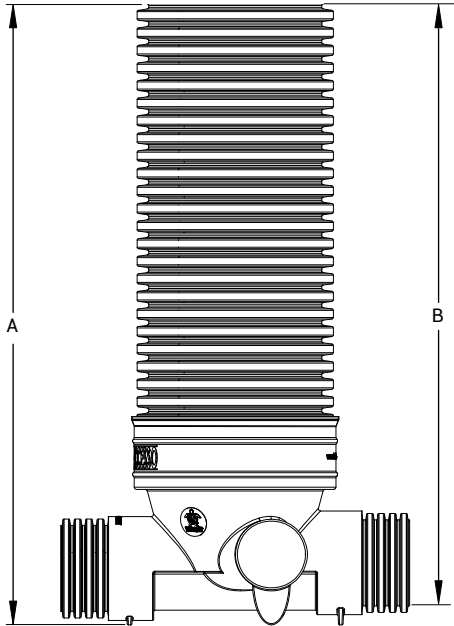
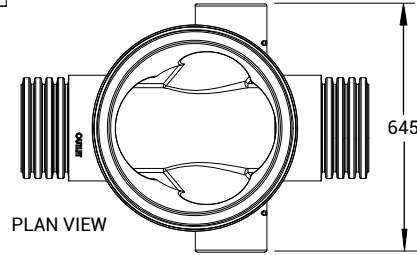
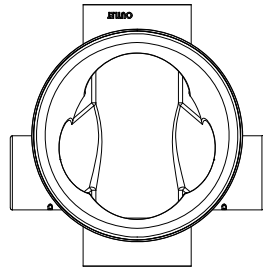
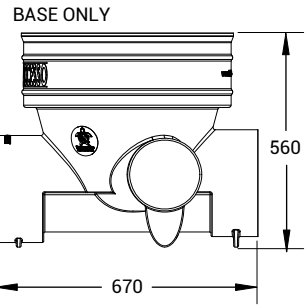
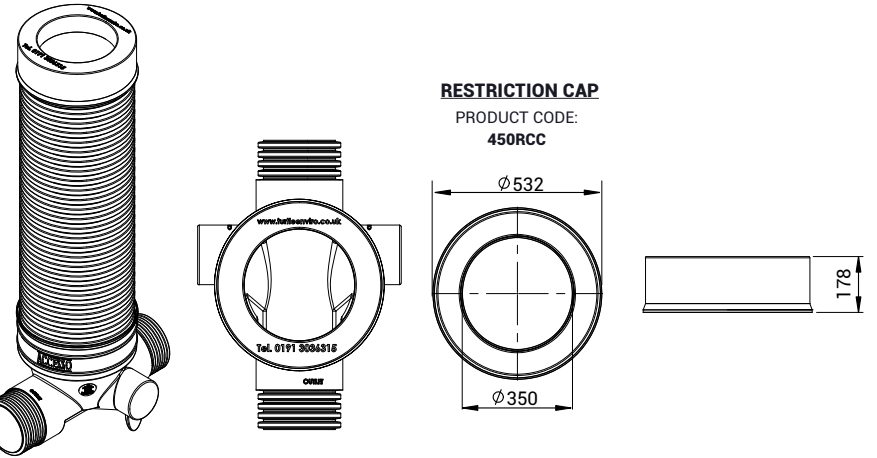


RESTRICTION CAP

NEW DESIGN & CONSTRUCTION GUIDANCE (DCG), HAS NOW EFFECTIVELY SUPERCEDED SFA7 (SEWERS FOR ADOPTION 7). DCG STATES THAT ACCESS MUST BE RESTRICTED TO A MAXIMUM OF 350MM, ON ANY TYPE D OR E INSPECTION CHAMBER, DEEPER THAN 1000MM FROM COVER LEVEL TO SOFFIT OF PIPE.

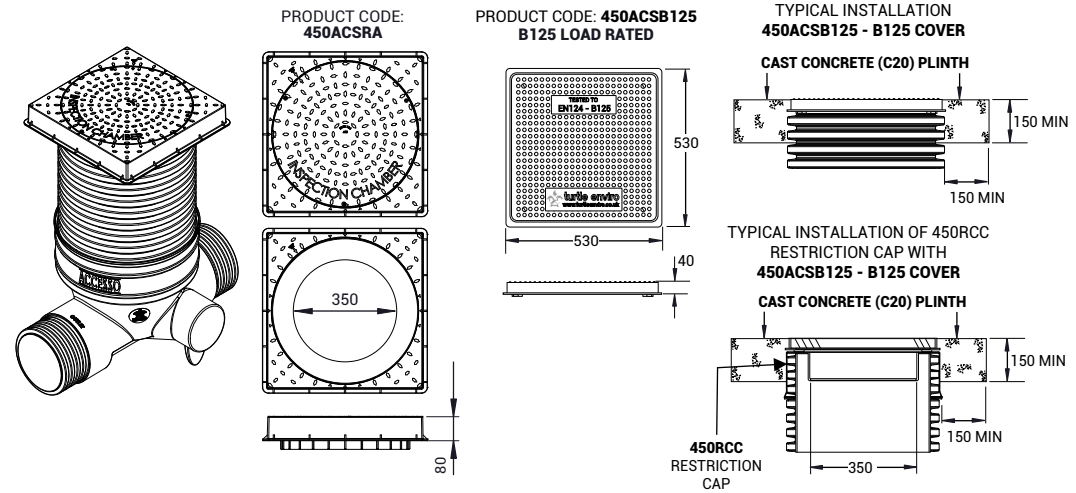
OUR 450RCC - RESTRICTION CAP IS DESIGNED TO FIT OVER THE 450Ø ACCESS SHAFT AND PROVIDES A Ø350MM ACCESS (DETAILED BELOW).



ACCESS COVERS

450ACSRA - A15 LOAD ACCESS COVER - FITS DIRECTLY INTO THE 450Ø CHAMBER SHAFT. THE FRAME ITSELF HAS A Ø350MM ACCESS, INTERNALLY MOULDED. SO CAN ALSO BE USED FOR DEEPER CHAMBERS, REQUIRING RESTRICTED ACCESS. THE COVER LOADING IS A15 RATED.

NEW 450ACSB125 - B125 LOAD TESTED ACCESS COVER - PLEASE NOTE: B125 COVERS NEED TO BE INSTALLED INTO A CONCRETE PLINTH (AS DETAILS BELOW).



Product Code	Main channel pipework Ø (mm)	Optional Side Inlets (mm)	Depth A (mm)	Inlet Invert B (mm)	Soffit Depth C (mm)	Approx. Weight (kg)
AIC450225B (Base only)	225	2 x 150 @ 90°	560	495	270	6
AIC450225B/1	225	2 x 150 @ 90°	990	925	700	18
AIC450225B/1.5	225	2 x 150 @ 90°	1500	1435	1210	24
AIC450225B/2	225	2 x 150 @ 90°	2015	1950	1725	31
AIC450225B/2.4	225	2 x 150 @ 90°	2400	2335	2110	35
AIC450225B/3	225	2 x 150 @ 90°	3000	2935	2710	41

Please Note: Chambers deeper than 1000mm to soffit of pipework, require a Restriction Cap 450RCC to comply with DCG.

PROPRIETARY & CONFIDENTIAL

THE INFORMATION CONTAINED IN THIS DRAWING IS THE SOLE PROPERTY OF TURTLE ENVIRO DRAINNOVATION ANY REPRODUCTION IN PART OR AS A WHOLE WITHOUT THE WRITTEN PERMISSION OF TURTLE ENVIRO IS PROHIBITED.



DRAWN BY A.T	CONTRACT		
DRAWN DATE 7/2/2022	PRODUCT DESCRIPTION BLUE RANGE - 450 SERIES		
APPROVED BY D.A	PRODUCT/CODE AIC450225B		
APPROVED DATE 7/2/2022	SCALE:	SHEET/SIZE A3	REV: 2