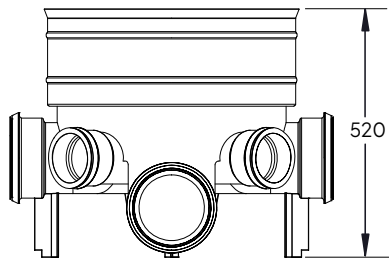
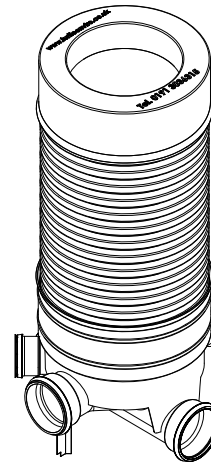
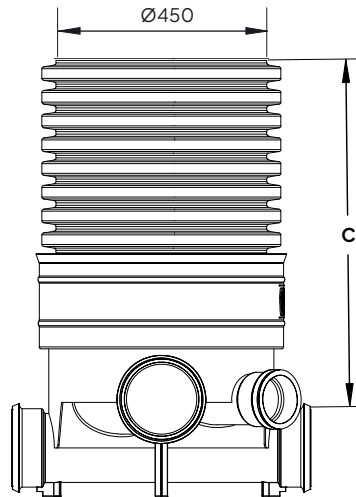
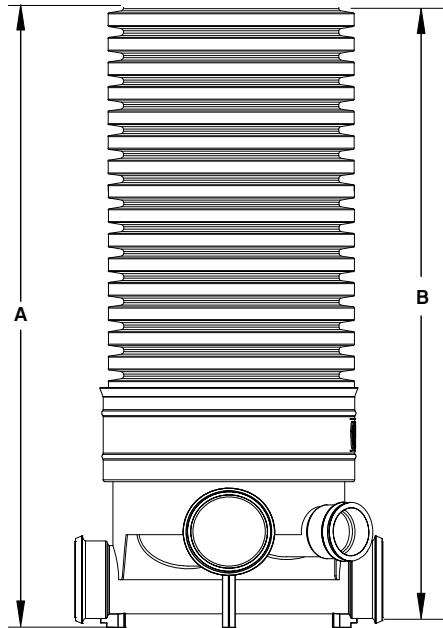
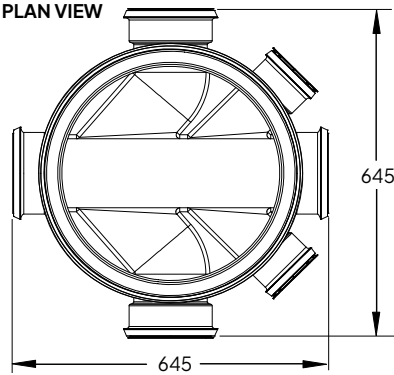


BASE ONLY



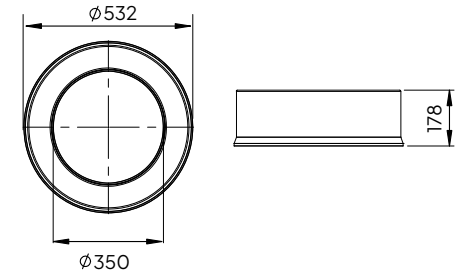
PLAN VIEW



RESTRICTION CAP
PRODUCT CODE: 450RCC

NEW DESIGN & CONSTRUCTION GUIDANCE (DCG) STATES THAT ACCESS MUST BE RESTRICTED TO A MAXIMUM OF 350MM ON ANY TYPE D OR E INSPECTION CHAMBER, DEEPER THAN 1000MM FROM COVER LEVEL TO SOFFIT OF PIPE.

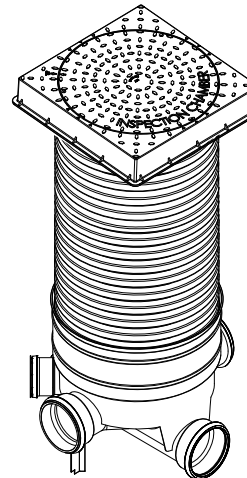
OUR 450RCC - RESTRICTION CAP IS DESIGNED TO FIT OVER THE 450Ø ACCESS SHAFT AND PROVIDES A Ø350MM ACCESS (DETAILED BELOW).



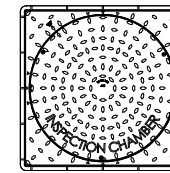
ACCESS COVERS

450ACSRA - A15 LOAD ACCESS COVER - FITS DIRECTLY INTO THE 450Ø CHAMBER SHAFT. THE FRAME ITSELF HAS A Ø350MM ACCESS, INTERNALLY MOULDED, SO CAN ALSO BE USED FOR DEEPER CHAMBERS, REQUIRING RESTRICTED ACCESS. THE COVER LOADING IS A15 RATED.

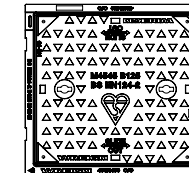
450ACSB125W - B125 LOAD TESTED ACCESS COVER - PLEASE NOTE: B125 COVERS NEED TO BE INSTALLED INTO A CONCRETE PLINTH (AS DETAILS BELOW).



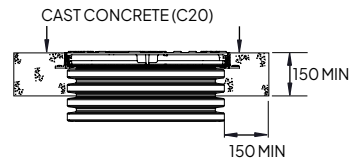
PRODUCT CODE: 450ACSRA



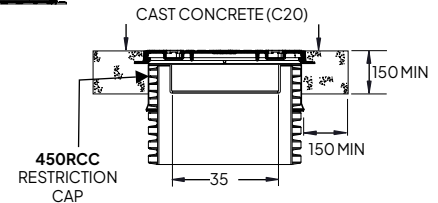
PRODUCT CODE: 450ACSB125W



TYPICAL INSTALLATION 450ACSB125W - B125 COVER



TYPICAL INSTALLATION OF 450RCC RESTRICTION CAP WITH 450ACSB125W - B125 COVER



Product Code	Main channel Pipework Ø	Optional side inlets Ø (mm)	Overall Depth A (mm)	Inlet Invert B (mm)	Soffit Depth C (mm)	Approx. Weight (kg)
AIC160450B (Base only)	160	2 x 160 at 90° & 2 x 110 at 45°	520	485	335	7
AIC1604501SP	160	2 x 160 at 90° & 2 x 110 at 45°	990	955	805	15.5
AIC16045015SP	160	2 x 160 at 90° & 2 x 110 at 45°	1500	1465	1315	21
AIC16045020SP	160	2 x 160 at 90° & 2 x 110 at 45°	2015	1980	1830	26.5
AIC16045024SP	160	2 x 160 at 90° & 2 x 110 at 45°	2430	2395	2245	31.5
AIC16045030SP	160	2 x 160 at 90° & 2 x 110 at 45°	3045	3010	2860	38



PROPRIETARY & CONFIDENTIAL

THE INFORMATION CONTAINED IN THIS DRAWING IS THE SOLE PROPERTY OF TURTLE ENVIRO ANY REPRODUCTION IN PART OR AS A WHOLE WITHOUT THE WRITTEN PERMISSION OF TURTLE ENVIRO IS PROHIBITED.



DRAWN BY A.T	PRODUCT DESCRIPTION ORANGE RANGE - 450 SERIES
DRAWN DATE 7/6/2023	
APPROVED BY D.A	PRODUCT/CODE AIC160450SP
APPROVED 7/6/2023	SCALE: SHEET/SIZE A4 REV: 2