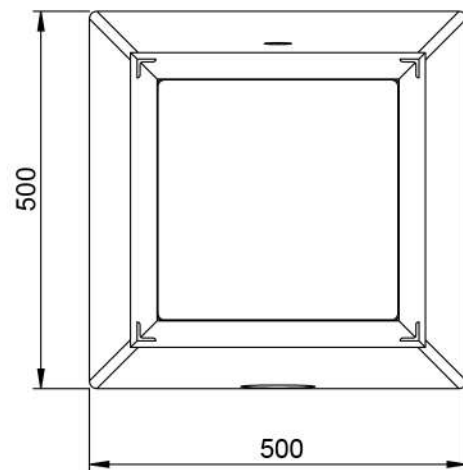


SECTION A-A



	PRODUCT TITLE	200 l Manhattan Agile	DRAWN	SS
	PRODUCT CODE	ManAgile	CHECKED	HQ
	WEIGHT	11 KG	APPROVED	JP
	MATERIAL	MDPE	APPROVED DATE	03/02/2024
	PROPRIETARY & CONFIDENTIAL THE INFORMATION CONTAINED IN THIS DRAWING IS THE SOLE PROPERTY OF FREEFLUSH LIMITED. ANY REPRODUCTION IN PART OR AS A WHOLE WITHOUT THE WRITTEN PERMISSION OF FREEFLUSH LIMITED IS PROHIBITED.		SCALE	1:10
			SHEET/ SIZE	A3
REVISION			00	