

Weitergabe sowie Vervielfältigung dieser Unterlage, Verwertung und Mitteilung ihres Inhalts nicht gestattet, soweit nicht ausdrücklich zugestanden. Zuwiderhandlungen verpflichten zu Schadenersatz. Alle Rechte für den Fall der Patenterteilung oder Gebrauchsmuster-Eintragung vorbehalten.

regulator housing:

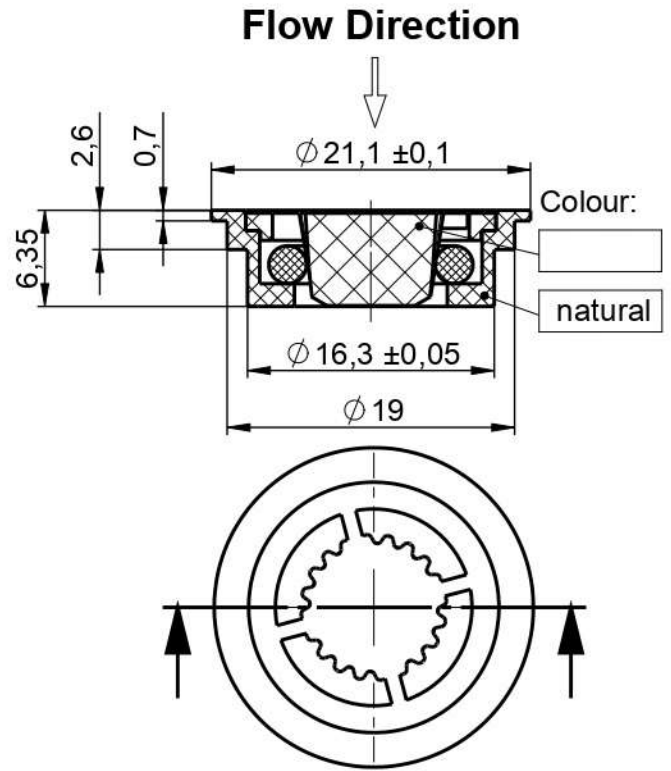
material: POM-Hostaform C9021

o-ring:

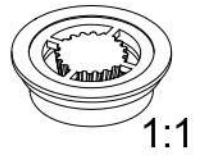
material: EPDM 50 til 70 shore

regulator core:

material: POM-Hostaform C9021



TYPE: MR04 AF



			flowtolerance				
			deviations		pressure range		
58.7176.1	26,5 L	olive 70/6195	10	10	1 - 10	✓	
58.7170.1	20,0 L	green 76	10	10	1 - 10	✓	
58.7168.1	18,0 L	brown 65	10	10	1 - 10	✓	
58.7166.1	16,0 L	grey 39	10	10	1 - 10	✓	
58.7165.1	15,0 L	lilac 40/6193	10	10	1 - 10	✓	
58.7164.1	14,0 L	blue 87	10	10	1 - 10	✓	
58.7162.1	12,0 L	orange 40/3738	10	10	1 - 10	✓	
58.7160.1	10,0 L	natural	10	10	1 - 10	✓	
58.7158.1	8,0 L	black 10/5358	10	10	1 - 10	✓	
58.7156.1	6,0 L	pink 40/6187	10	10	1 - 10	✓	
58.7155.1	5,0 L	red 46	15	15	1 - 10	✓	
PART-NO.	L/MIN	COLOUR	+ %	- %	[bar]	AVAILABLE	

Copying of this document, and giving it to others and the use or communication of the contents thereof, are forbidden without express authority. Offenders are liable to the payment of damages. All rights are reserved in the event of the grant of a patent or the registration of a utility model or design.

D-79379 Müllheim		Change No.: 500000000646	Approval of drawing change:	Rev. A
		Date: 31.03.2009 Drawn: DE192	Date: 27.04.2009 approv.: DE188	
		Surface DIN EN ISO 1302	Part No.: 58.7155.10000 - 58.7176.10000	
Drawn:	Date: 04.07.2001 Name: WELZ	General tolerances DIN ISO 2768-fH		Title: Regler MR04 AF
Appr.:	Date: 04.07.2001 Name: ZOLLER	Workpiece edges DIN ISO 13715		
Scale: 2:1				
Format: A4	Page 1 of 1			
Volume:				
Weight: 1.60 g				
Material:	Material Description / Tradename:	Colour:		
Replace 58.7155.1 - 58.7176.1 REV. -		Origin:		