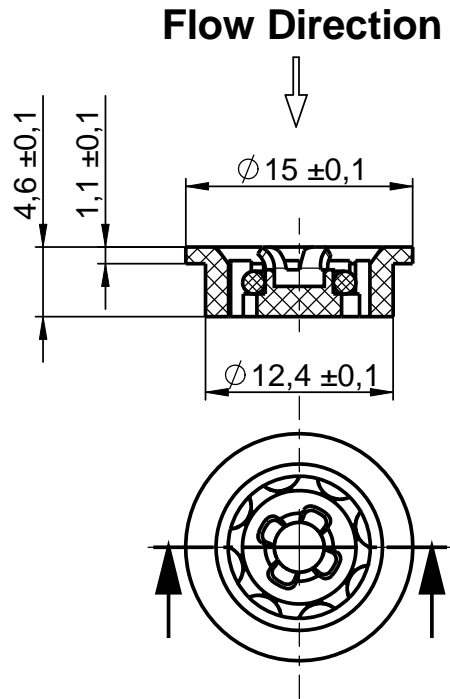


**o-ring:**

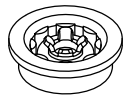
material: EPDM 50 til 70 shore

**regulator housing:**

material: POM-Hostaform C9021



			flowtolerance			
			deviations	pressure range		
58.6139.10000	20,0 L	red 47			✓	
58.6138.10000	18,0 L	orange 40/3738			✓	
58.6137.10000	17,5 L	green 76			✓	
58.6135.10000	15,0 L	blue 87			✓	
58.6134.10000	13,5L	red 47			✓	
58.6132.10000	12,0 L	brown 65			✓	
58.6131.10000	11,75 L	blue 87			✓	
58.6130.10000	10,0 L	yellow 56			✓	
58.6129.10000	8,5 L	lime 70/6186			✓	
58.6128.10000	8,0 L	natural			✓	
58.6127.10000	7,3 L	green 76			✓	
58.6126.10000	6,0 L	grey 36			✓	
58.6124.10000	4,0 L	pink 40/6187			✓	
58.6123.10000	3,0 L	lilac 40/6193			✓	
58.6122.10000	2,0 L	olive 70/6195			✓	
PART.-NO.	L/MIN	COLOUR	+ %	- %	[bar]	available



1:1

Copying of this document, and giving it to others and the use or communication of the contents thereof, are forbidden without express authority. Offenders are liable to the payment of damages. All rights are reserved in the event of the grant of a patent or the registration of a utility model or design.

<b>D-79379 Müllheim</b>			Change No.: <b>50000000542</b>		Approval of drawing change:		<b>Rev. I</b>
			Date: 26.01.2009 Drawn: A. Welz		Date: 16.11.2011 approv.: J. Barnett		
			Surface DIN EN ISO 1302		Part No.: <b>58.6122.10000 - 58.6139.10000</b>		
Drawn:	Date: 26.01.2009	Name: A. WELZ	General tolerances DIN ISO 2768-fH		Title: <b>flow regulator MR01 GA</b>		
Appr.:	Date: 26.01.2009	Name: M. SÖCHTIG	Workpiece edges DIN ISO 13715				
Scale: 2:1							
Format: A4		Page 1 of 1					
Volume: 430.97 mm <sup>3</sup>					Material:	Material Description / Tradename:	Colour:
Weight: 0.60 g					Replacement for: 58.6124.1 - 58.6139.1 REV. H		Origin: