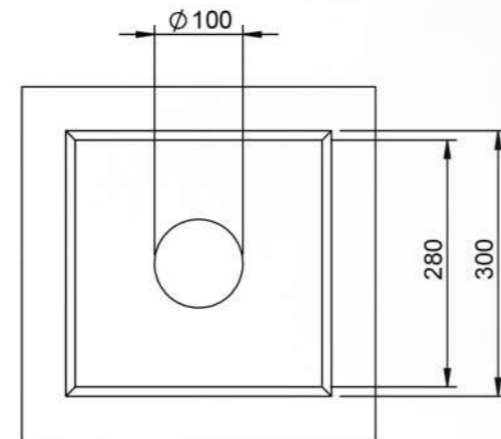
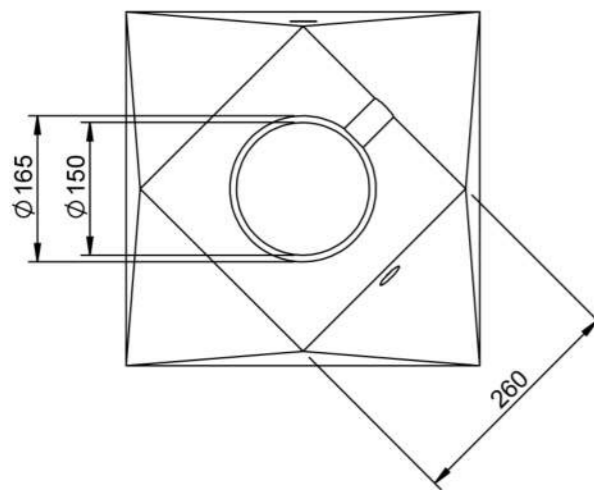


SECTION A-A



	PRODUCT TITLE	100l Manhattan Twist	DRAWN	SS
	PRODUCT CODE	100manhTwist	CHECKED	HQ
	WEIGHT	10 Kg	APPROVED	JP
	MATERIAL	MDPE	APPROVED DATE	11/04/2024
	PROPRIETARY & CONFIDENTIAL THE INFORMATION CONTAINED IN THIS DRAWING IS THE SOLE PROPERTY OF FREEFLUSH LIMITED. ANY REPRODUCTION IN PART OR AS A WHOLE WITHOUT THE WRITTEN PERMISSION OF FREEFLUSH LIMITED IS PROHIBITED.		SCALE	1:10
			SHEET/ SIZE	A3
		REVISION	00	