

Dual Steering Stabilizer

Dodge Ram 2500 | 2008-2013 3500 | 2008-2012

Part #: 55371

Rev. 122920



491 W. Garfield Ave., Coldwater, MI 49036 • Phone: 517-279-2135

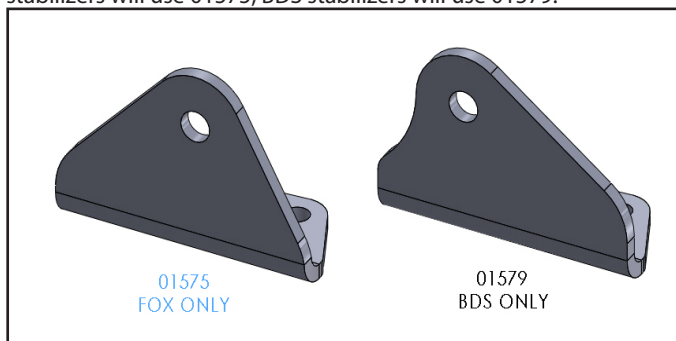
Web/live chat: www.bds-suspension.com • E-mail: tech-bds@ridefox.com

SAFETY WARNING

BDS Suspension Co. recommends this system be installed by a professional technician. In addition to these instructions, professional knowledge of disassembly/ reassembly procedures and post installation checks must be known.

INSTALLATION INSTRUCTIONS

1. Park vehicle on clean, flat, and level surface with the steering wheels facing straight ahead. Block wheels for safety.
2. Remove the factory stabilizer from vehicle and stabilizer bracket from the tie rod.
3. Remove the tie rod adjusting hardware that is towards the center of the vehicle. Part numbers are stamped on the part, pick the correct bracket for the stabilizers ordered. Fox stabilizers will use 01575, BDS stabilizers will use 01579.



4. Install the correct bracket with 3/8" hardware at location closest to the center of the vehicle and stock hardware closest to the wheel. Adjust bracket so that where the stabilizer mounts is horizontal, it may be necessary to rotate the clamps. Leave hardware slightly loose at this time, it may be necessary to slide the clamps on the adjuster in towards the center of the vehicle for proper cylinder stroke. (Fig 1 & 2)

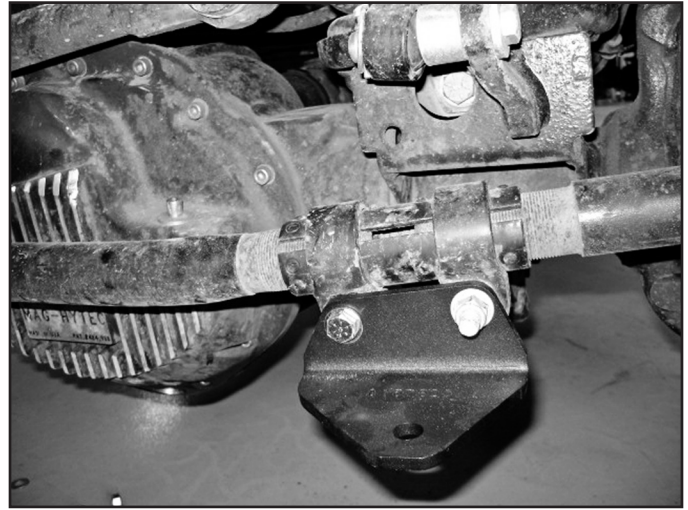
Box Kit

Part #	Qty	Description
01574	1	Dual Stabilizer Mount - Center
01575	1	Dual Stabilizer Mount - Drv Fox Only
01579	1	Dual Stabilizer Mount - BDS Stab. Only
01576	1	Dual Stabilizer Mount - Pass
01578	1	Badge Name Plate
01572	1	BDS Badge
887	1	Rivet Bolt Pack
B1079	1	Bag Kit - Ram Dual Stabilizer
123120412RB	2	1/2 x 3-1/2 x 4-1/2 U-Bolt
561120214RB	3	5/16" x 1-1/2 x 2-1/4 U-Bolt
73	1	1-1/4 OD x 5/8" ID x 0.875 Spacer Sleeve - Fox Only
54794	1	5/8" OD x 1/2" ID x 2.250 Stabilizer Sleeve
51792	4	5/8" OD x 1/2" ID x 1.375 Sleeve
336	1	Bolt Pack - Dual Stabilizer

FIGURE 1



FIGURE 2



5. Install center bracket below the axle tube. Slide bracket against the differential housing. Attach with new u-bolts and prevailing torque nuts with washers. Adjust bracket so that it is horizontal. Tighten u-bolt nuts to 60 ft-lbs. (Fig 3 & 4)

FIGURE 3



FIGURE 4

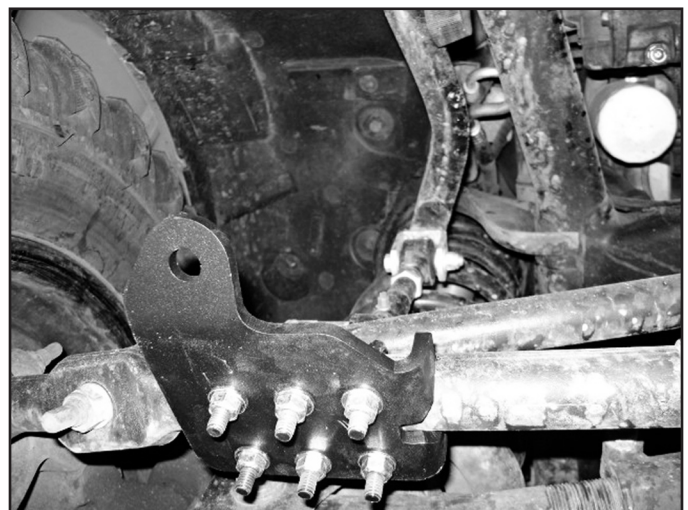


6. Attach passenger's side bracket to the tie rod with (3) new u-bolts, adjust bracket so that the stabilizer mount is horizontal. Adjust position of the bracket so that it is equal to what the driver's side stabilizer installed length (approximately 20-1/8" - Fox stabilizer / 19-1/8" white body stabilizer, adjust clamps in towards the center of the vehicle on the adjusting collar on driver's side if necessary). Torque to 22 ft-lbs. Tighten driver's side hardware from Fig 2 to 35 ft-lbs. (Fig 5 & 6)

FIGURE 5



FIGURE 6



- Grease and install the bushings and **sleeves that come in the bracket box kit**, do not use the sleeves that come in the stabilizer box. The driver's side body of the stabilizer will require the special sleeve / spacer combo shown. (Fig 10)
- Install stabilizer to center mount with badge name plate bracket with 1/2" hardware. Tighten to 50 ft-lbs. (Fig 7 & 8)

FIGURE 7



FIGURE 8



- The badge can now be riveted on to the front plate using the provided 1/8" rivets. Any residue on the badge can be cleaned up using alcohol or brake cleaner before install. With the badge not installed it can be painted to what ever color you desire, or left raw as a stainless steel badge.
- Attach stabilizer to passenger's side mounting bracket with 1/2" hardware. Tighten to 50 ft-lbs. (Fig 9)

FIGURE 9



11. Attach stabilizer to driver's side mounting bracket with ½" hardware (Fox only include spacer sleeve). Tighten to 50 ft-lbs. (Fig 10)

FIGURE 10



12. Cycle steering to check for adequate stroke of cylinders. Recheck hardware for proper torque.

FIGURE 11



WE WANT TO SEE YOUR RIDE!

Grab photos of your BDS-equipped truck in action and send them in for a chance to be featured. Send it in to our Bad Ass Rides customer gallery at bds-suspension.com/bar and post them on the BDS Fan Page on Facebook at facebook.com/BDSSuspensions. Don't forget about your BDS swag! BDS offers t-shirts, hoodies, decals and more available on the BDS website or through your local BDS distributor.

TIME TO HAVE SOME FUN

Thank you for choosing BDS Suspension.

For questions, technical support and warranty issues relating to this BDS Suspension product, please contact your distributor/installer before contacting BDS Suspension directly.