

# 1-3" Track Bar Bracket

Ford Super Duty | 2005-2020

Part #: 123301

Rev. 020421



491 W. Garfield Ave., Coldwater, MI 49036 • Phone: 517-279-2135

E-mail: tech-bds@ridefox.com

## SAFETY WARNING

BDS Suspension Co. recommends this system be installed by a professional technician. In addition to these instructions, professional knowledge of disassembly/ reassembly procedures and post installation checks must be known.

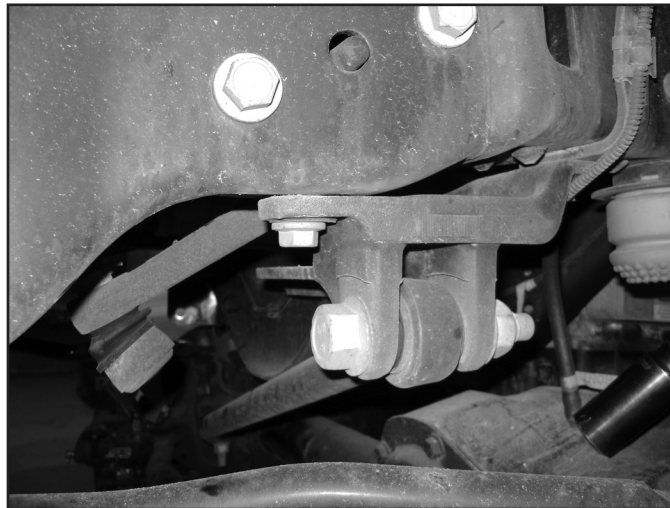
### Box Kit 123301

Part #	Qty	Description
0945	1	1-3" Track Bar Bracket
02019	2	Track Bar Cam

## INSTALLATION INSTRUCTIONS

1. Park the vehicle on a clean, flat surface and block the rear wheels for safety.
2. Disconnect the track bar from the driver's side frame bracket. Retain hardware.

**FIGURE 1**



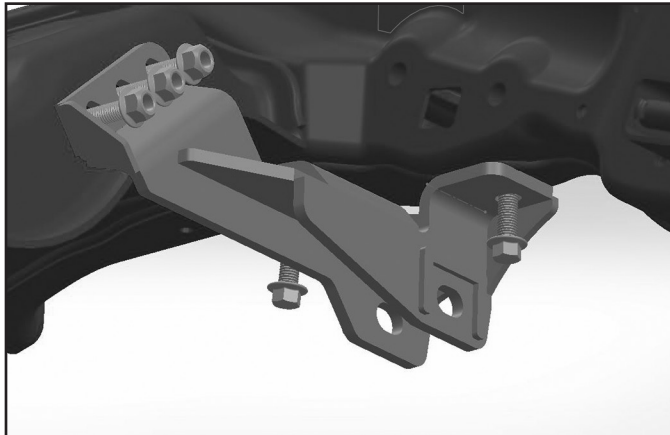
3. Remove the five bolts mounting the track bar bracket to the frame and remove the bracket from the vehicle.

**FIGURE 2**



4. Install the new bracket in the vehicle using the five original mounting holes and hardware. Torque mounting hardware to 129 ft-lbs.

**FIGURE 3**



5. Swing the track bar up into the bracket and attach with the original bolt and nut in conjunction with the provided rectangle cam washers.

*Note: If installing on a vehicle with 3" of lift, offset the holes in the cams closer to the passenger's side. If installing on 2017-2019 Super Duty with 1-2" of lift, offset the holes in the cams closer to the passenger's side (Fig 4). If installing on 2005-2016 or 2020+ Super Duty with 1-2" of lift, offset the holes in the cams closer to the driver's side (Fig 4)*

**FIGURE 4 (DRIVER SIDE INSTALLATION SHOWN)**



6. Torque the track bar mounting bolt to 406 ft-lbs.
7. Check all hardware for proper torque.
8. Check hardware after 500 miles.

---

## TIME TO HAVE SOME FUN

### Thank you for choosing BDS Suspension.

For questions, technical support and warranty issues relating to this BDS Suspension product, please contact your distributor/installer before contacting BDS Suspension directly.



### **WE WANT TO SEE YOUR RIDE!**

Grab photos of your BDS-equipped truck in action and send them in for a chance to be featured. Send it in to our Bad Ass Rides customer gallery at [bds-suspension.com/bar](http://bds-suspension.com/bar) and post them on the BDS Fan Page on Facebook at [facebook.com/BDSSuspensions](https://facebook.com/BDSSuspensions). Don't forget about your BDS swag! BDS offers t-shirts, hoodies, decals and more available on the BDS website or through your local BDS distributor.