



Part # **11340201**⁽⁶³⁻⁷⁰⁾/**113520201**⁽⁷¹⁻⁷²⁾ - C10 CoilOver System

Front Components:

11342699/11352699	Front StrongArm System
11349300/11359300	Front Spindles and Caliper Brackets
11333510	Front Coilovers
11369100	Front MuscleBar

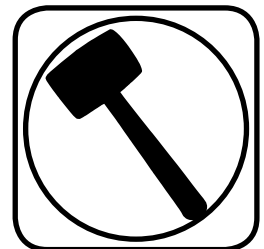
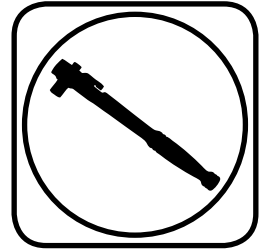
Rear Components:

11337199	Rear StrongArm System
11336510	Rear Coilover Instructions

Miscellaneous Components:

85000000	Spanner Wrench
----------	----------------

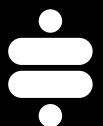
Recommended Tools



63-70/71-72 C-10 Coilover System Installation Instructions

Table of contents

Pages 2-14.....	Front StrongArm System
Pages 15-16.....	Front Coilovers
Pages 17.....	Spindles
Pages 18-22.....	Front MuscleBar
Pages 23-32.....	Rear StrongArm System
Pages 33-34.....	Rear CoilOver
Pages 35-36.....	Coilover Assembly and Adjustment

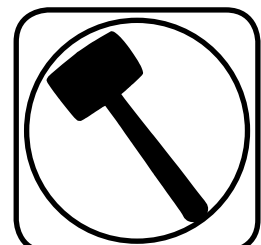
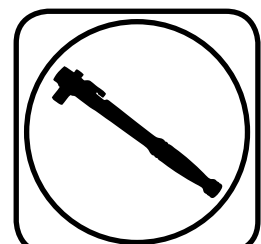




Part # **11342699**⁽⁶³⁻⁷⁰⁾/**11352699**⁽⁷¹⁻⁷²⁾ - C10 StrongArms



Recommended Tools



1963-1972 C-10 StrongArms Installation Instructions

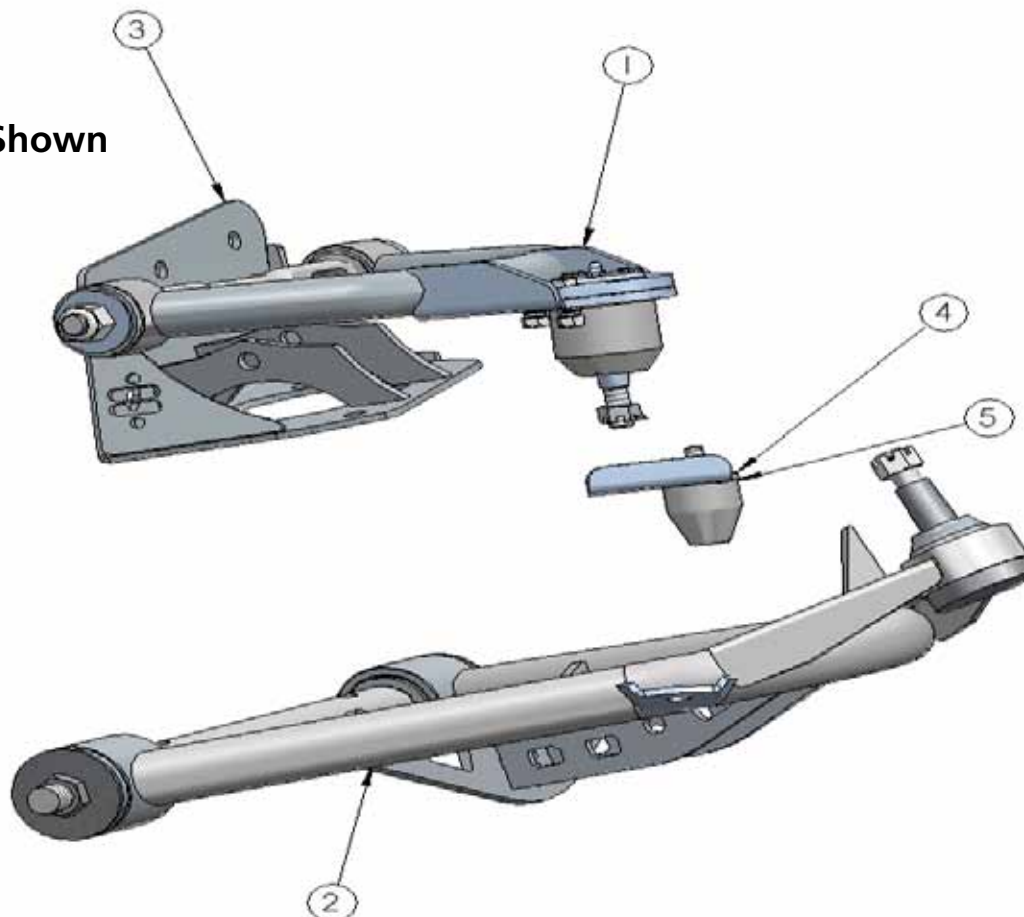
Table of contents	
Page 3.....	Included components
Page 4.....	Upper Control Arm Components
Page 5.....	Lower Control Arm Components
Page 6.....	Hardware List and Getting Started
Page 7.....	Installing Upper Control Arm Mount
Page 8.....	Installing Upper Control Arm Mount and Upper Arm
Page 9.....	Caster Explained
Page10.....	Offset Upper Cross Shaft
Page11.....	Installing Upper and Lower Control Arm
Page12.....	Installing Shockwave/CoilOver Assembly
Page13.....	Finishing and Alignment
Page14.....	Crossmember Trimming Template



Major ComponentsIn the box

Item #	Part #	Description	QTY
1	90002437	Driver Upper Control Arm	1
1	90002438	Passenger Upper Control Arm (Not Shown)	1
2	90002384	Driver Lower Control Arm	1
2	90002385	Passenger Lower Control Arm (Not Shown)	1
3	90002386	Driver Upper Control Arm Mount	1
3	90002387	Passenger Upper Control Arm Mount (Not Shown)	1
4	90000726	Driver Bumpstop Plate	1
4	90000727	Passenger Bumpstop Plate (Not Shown)	1
5	90001083	Bumpstop	2
	90002062	Coilover Spacers (Not Shown)	8

Driver Side Shown

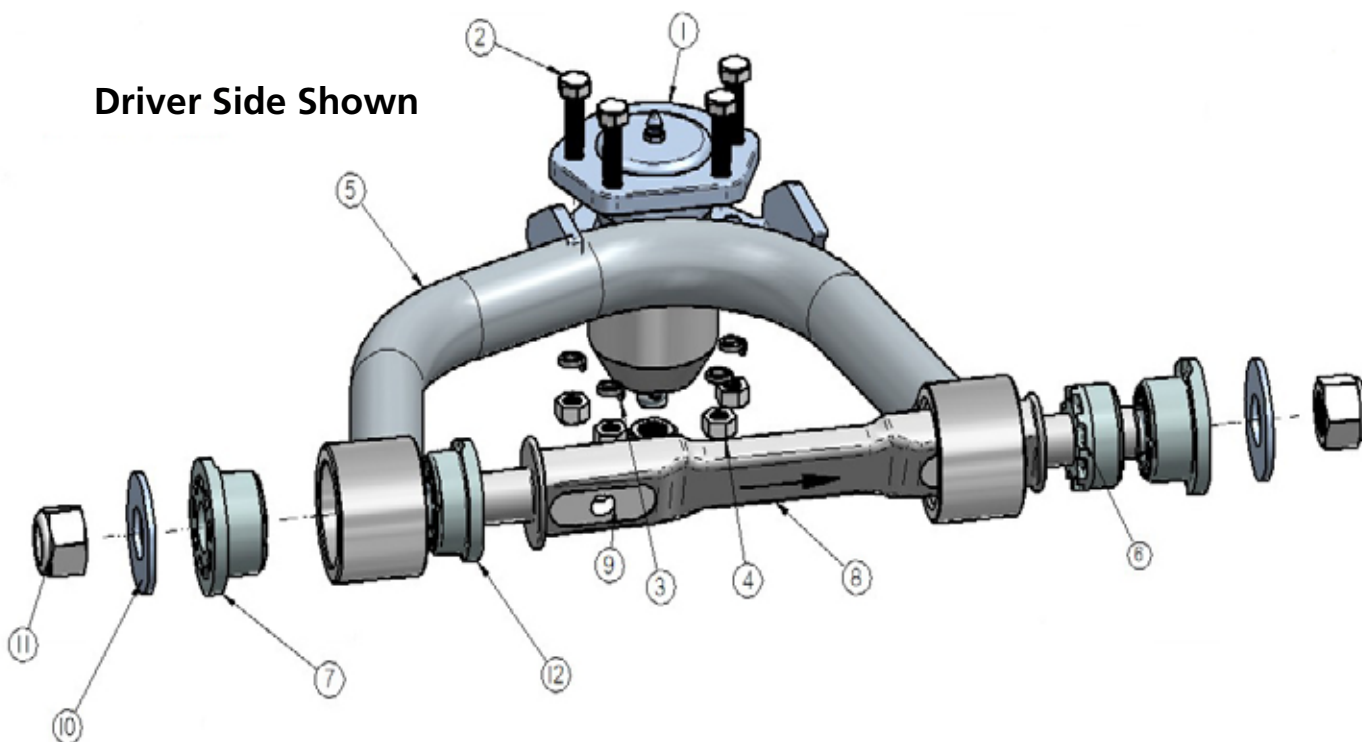




Upper Control Arm ComponentsIn the box

Item #	Part Number	Description	QTY
1	90000911 Kit/90000902 Kit	(63-70/71-72) - Upper Balljoint Assembly	2
2	90000911 Kit/90000902 Kit	5/16" -24 x 1" Hex Head Bolt	8
3	90000911 Kit/90000902 Kit	5/16" Lockwasher	8
4	90000911 Kit/90000902 Kit	5/16" -24 Hex Nut	8
5	90002437	Driver Upper Control Arm (Shown)	1
5	90002438	Passenger Upper Control Arm	1
6	70010826	Inner Delrin Bushing - No Ledge	2
7	70010759	Outer Delrin Bushing	4
8	90000914	Caster Adjustable Upper Control Arm Shaft	2
9	70010882	Caster Slug	4
10	90002737	Delrin Bushing T-Washer	4
11	99622005	5/8 - 18 Locknut (included with 90000914)	4
12	70010827	Inner Delrin Bushing - with Ledge	2

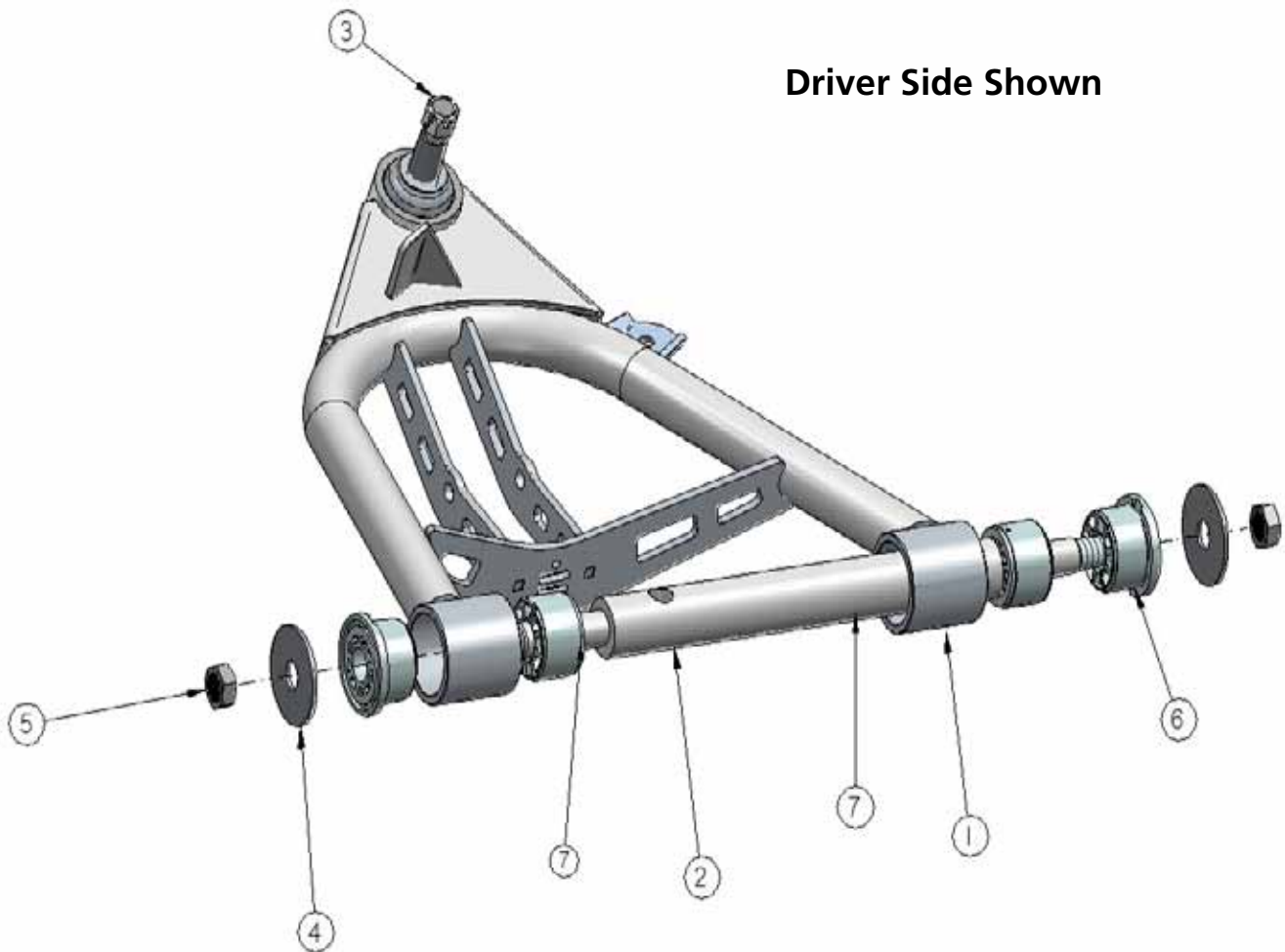
Driver Side Shown





Lower Control Arm ComponentsIn the box

Item #	Part Number	Description	QTY
1	90002384	Driver Lower Control Arm (Shown)	1
1	90002385	Passenger Lower Control Arm	1
2	90002430	Lower Control Arm Cross Shaft	2
3	90000912/90000909	(63-70/71-72) - Lower Balljoint Assembly	2
4	99753001	Flatwasher	4
5	99752005	3/4"-16 Hex Nut	4
6	70010755	Outer Delrin Bushing - with Ledge	4
7	70011465	Inner Delrin Bushing - no Ledge	4





Hardware ListIn the box

QTY	Part Number	Description	
16	99431002	7/16"-14x1 1/4" Hex Bolt	Upper Control Arm Mount
4	99431003	7/16"-14x3" Hex Bolt	Upper Control Arm to Mount
20	99433002	7/16" Flat Washer	Upper Mount to Frame/Control Arm to Mount
20	99432001	7/16"-14 Nylok Nut	Upper Mount to Frame/Control Arm to Mount
4	99501024	1/2"-13x3 1/4" Hex Bolt	Coilover to Arm and Upper Mount
4	99502001	1/2"-13 Nylok Nut	Coilover to Arm and Upper Mount
4	99371006	3/8"-16x1 1/2" Hex Bolt	Bumpstop Mount to Frame
4	99372002	3/8"-16 Nylok Nut	Bumpstop Mount to Frame
8	99373003	3/8" SAE Flatwasher	Bumpstop Mount to Frame

Getting Started.....

Congratulations on your purchase of the Ridetech Strongarm System. These arms have been designed to give your truck excellent handling along with a lifetime of enjoyment. Some of the key features of these StrongArms: Balljoint angles have been optimized for the lowered ride height, Delrin bushings are used for no bushing deflection along with providing free suspension movement through the entire travel. The Delrin bushings are made from a material that is self lubricating so no grease zerks are needed. Upper caster adjustable crossshaft is designed to allow you to run maximum caster angles with minimal shims.

Note: These control arms are designed for use with the Ridetech CoilOvers and the MuscleBar swaybar. **The factory shocks and springs or the factory sway bar will not fit these arms.**

Note: The 63-87 C-10's have similar control arms through the years, but the balljoints used were different. The year breaks are as follows: 63-70, 71-72, 73-87. Be sure to use the correct balljoint for the year of spindle you are using.

Balljoints:

- 63-70: Upper-90000911 Lower-90000912
- 71-72: Upper-90000902 Lower-90000909

Installation

1. Remove the entire front suspension from the truck leaving the tie rods connected to the center draglink. Refer to the factory service manual for disassembly procedure. Your original spindle will be reused with this setup, set them to the side for the time being. The original U-bolts for the lower control arms will be reused to fasten your new StrongArms to the frame.



Installing Upper Control Arm Mount



2. The factory upper control arm mount will need to be removed from the frame. There are 4 bolts attaching it to the frame rail with 4 rivets attaching it to the crossmember. There are several methods that can be used to remove the rivets from the crossmember. One way is to cut a "+" in the head of the rivet and chisel the 4 pieces of the head off the rivet, then knock the rivet out of the frame with a hammer and punch.



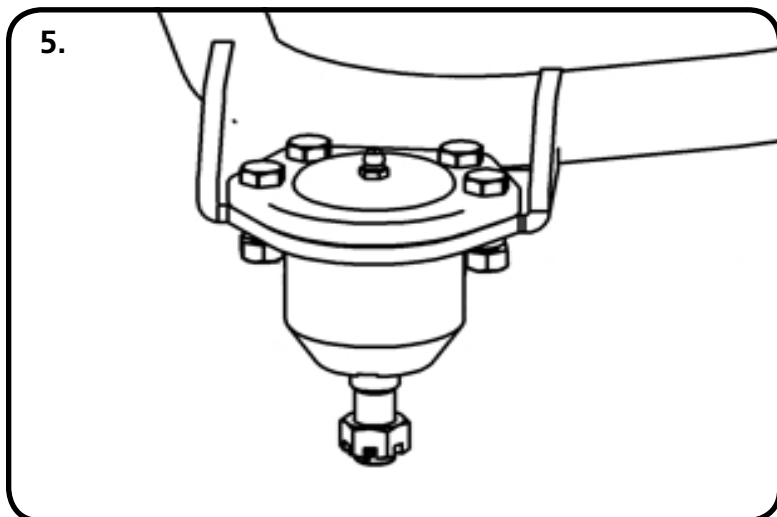
3. The top side of the crossmember will also need trimmed for clearance. A TEMPLATE IS PROVIDED ON PAGE 13. Cut out the holes in the template and place on top of the crossmember. Trace the template onto the crossmember and cut out the center portion. Your mark should look similar to the one pictured.



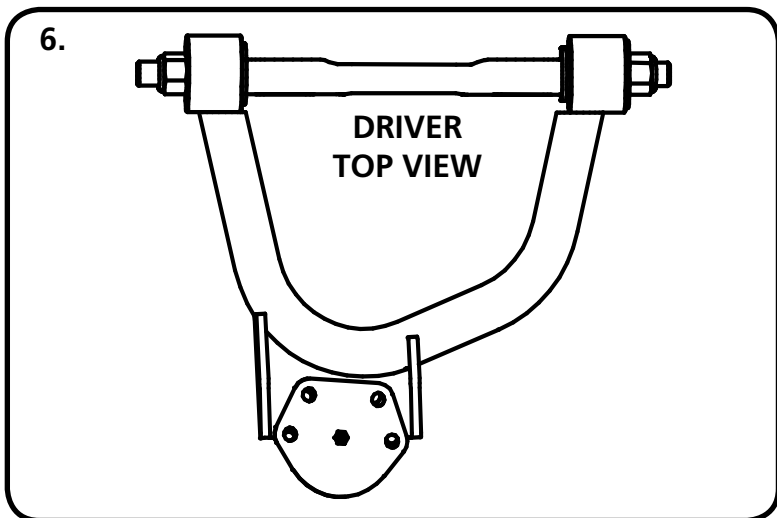
4. Before installing the mount, install the 7/16" x 3" bolts into the upper mount from the back side with the threads pointing towards the wheel side of the bracket. Set the upper control arm mount into position on the frame. The upper brackets are marked D & P for driver & passenger. The brackets get bolted to the frame with 7/16" x 1 1/4" hex bolts and Nylok nuts. The bracket also gets a 7/16" washer under the bolt and under the nut. Do to variances in the frames it may be necessary to drill out the front lower hole. Torque the 7/16" hardware to 50 ftlbs.



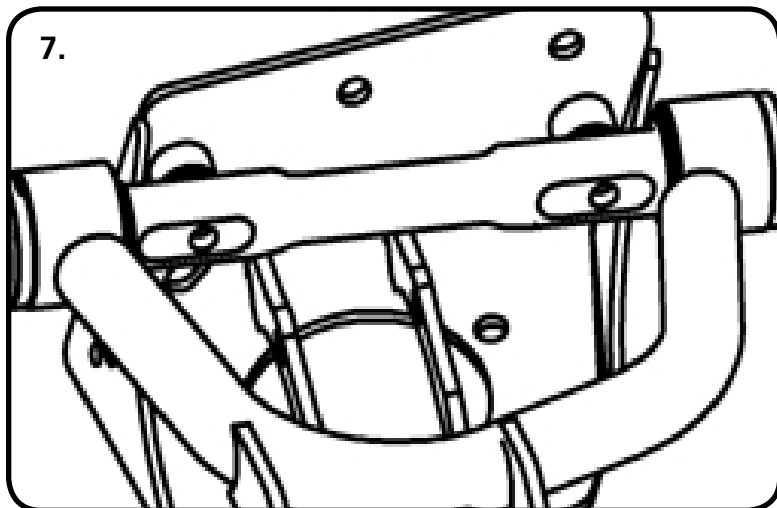
Installing Upper Control Arm Mount and Control Arm



5. Install the balljoints into the upper control arm with the hardware supplied with the balljoint. The upper balljoint goes in from the top side of the control arm. The gussets on the balljoint plate point up. Torque the mounting hardware to 29 ftlbs.



6. Diagram "6" shows the Driver Upper Control Arm. This is looking at the control arm from the top.



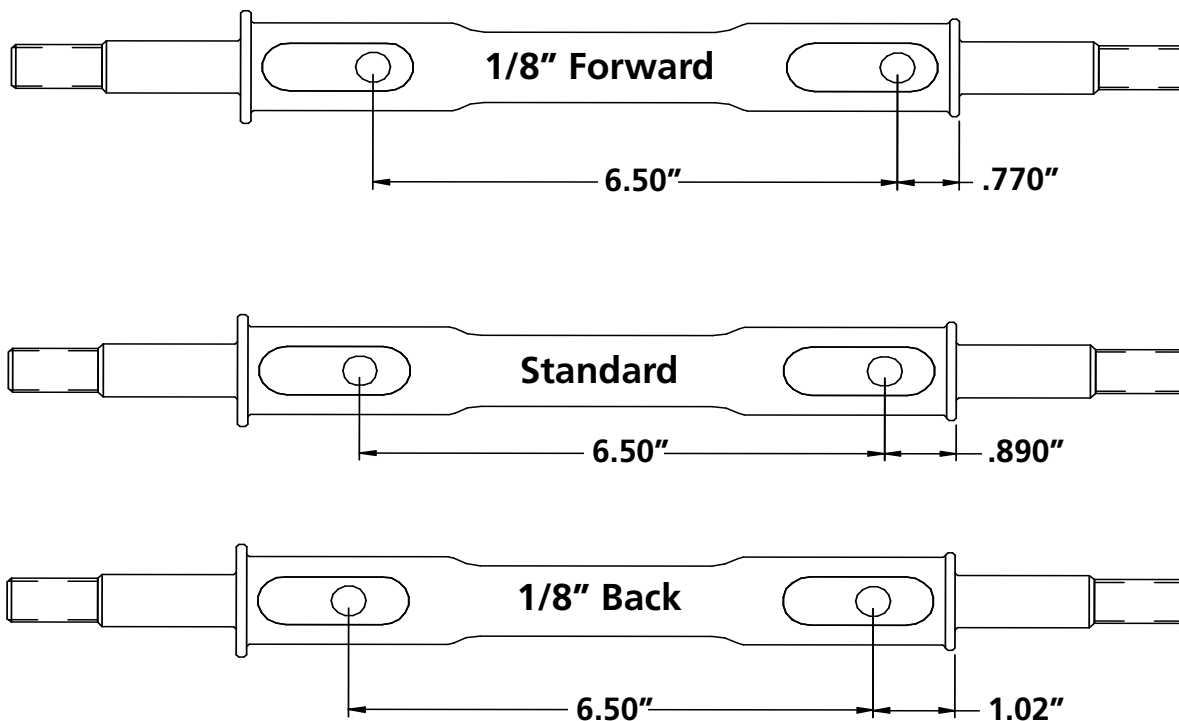
7. Install the caster slugs into the cross shaft. The long side of the caster slug goes to the front of the truck. The cross shaft is attached to the truck using a 7/16" USS Flat Washer & 7/16" Nylok Nut. The drivers side is shown in figure 8. Slide an Aluminum T-washer on each end of the shaft up against the bushing with the FLAT side Toward the locknut. Now install a 5/18"-18 locknut on the shaft. This nut gets snugged up. You want the suspension to be able to move freely.

www.ridetech.com

812-482-2932



Caster Explained



These StrongArms come equipped with a changeable caster slug setup. This allows you to add or remove caster from the front suspension, if desired. The caster slugs that come supplied in the kit are setup to provide approximately 5 degrees of caster. The caster slugs allow you to add or remove caster without having to use a stack of shims. If more or less caster is desired, optional slugs can be purchased from Ridetech or your Ridetech dealer.

Caster Explained:

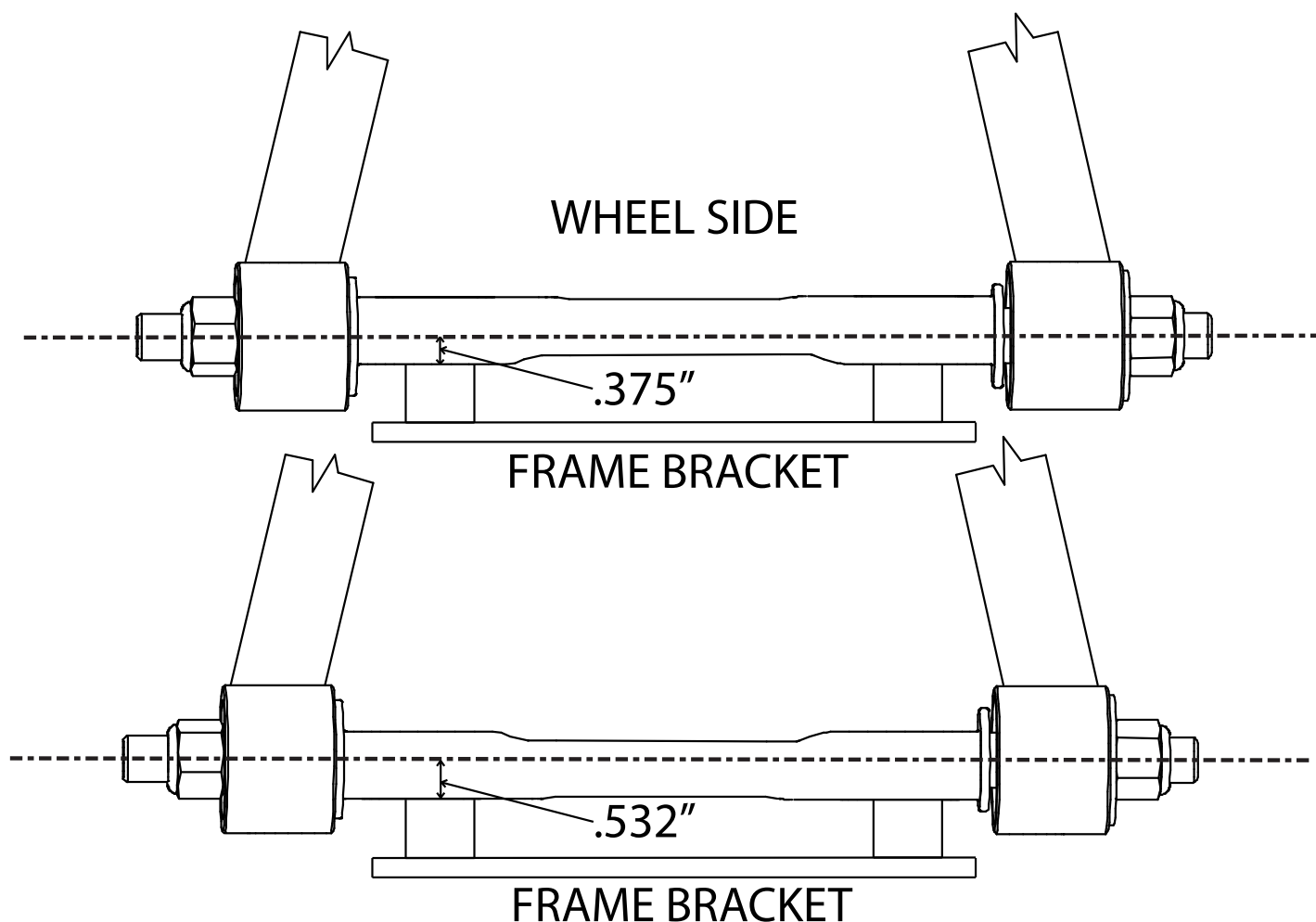
To understand caster you need to picture an imaginary line that runs through the upper balljoint and extends through the lower balljoint. From the side view the imaginary line will tilt forward or backward. The tilting of this imaginary line is defined as caster.

Caster is measured in degrees by using a caster gauge. If the imaginary line described above tilts towards the back of the vehicle at the top, then you have positive caster. If the imaginary line tilts forward then you have negative caster.

Positive caster provides the directional stability in your vehicle. Too much positive caster will make the steering effort difficult. Power steering will allow you to run more positive caster. Negative caster requires less steering effort but will cause the vehicle to wander down the highway



Offset Upper Control Arm Shaft



The cross shaft that is used in the upper control arms is offset. The offset combined with the caster slug option allows you to achieve the alignment setting you desire with minimal shims. To change the direction the Icon faces simply spin the cross shaft in the control arm.

If you are after a **Street Alignment** bolt the upper control arm to the frame mount with the arm offset to the outside of the truck. The Ridetech Icon will be facing the wheel.

If a more aggressive **Track or Autocross** alignment is desired, bolt the control arm to the frame bracket with the arm offset to the inside of the truck. The Ridetech Icon will be facing the frame rail.

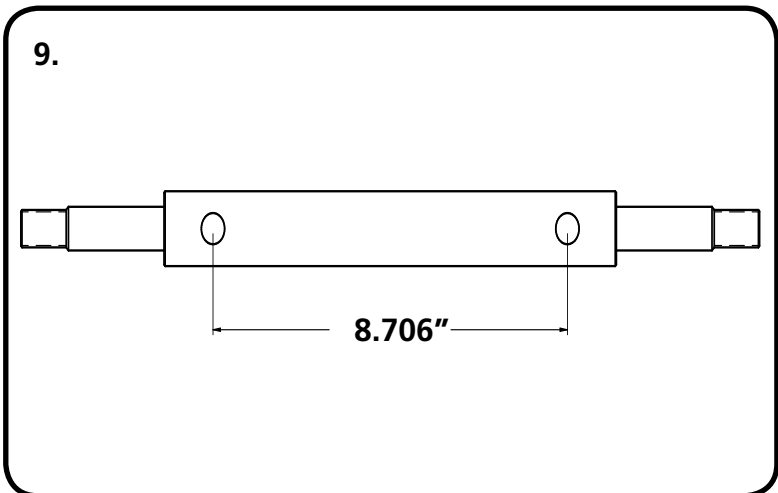


Installing Upper and Lower Control Arm



8. The lower control arm is installed using the factory U-bolts and nuts. The lower control arm is located by a pin that is in the center of the front u bolt cradle. This pin will go into the hole in the control arm shaft to help locate the control arm.

NOTE: We have ran across some trucks where the rear pin is the locator pin. It will locate the control arm correctly too.



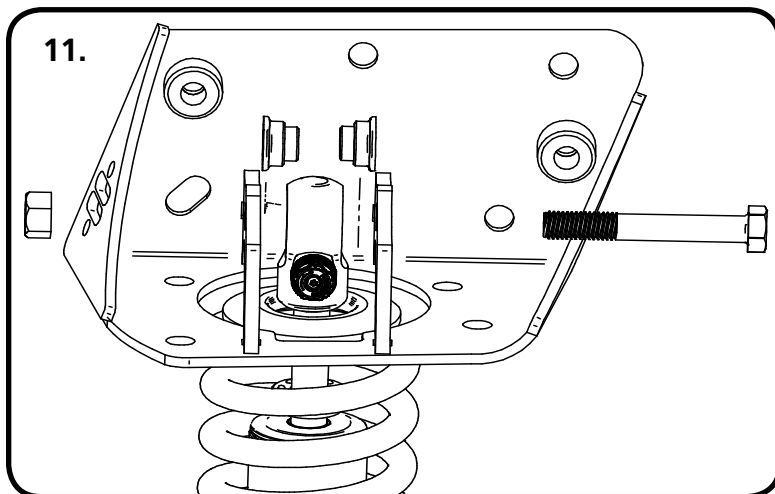
9. The Lower Cross Shaft has 2 different locating Hole patterns. These StrongArms use the 8.706" center to center locating holes. The Pin in the Cross Shaft Saddle that was pointed out in **Image 8**, will locate into these Holes. Use the OEM Hardware to attach the Lower making sure the Locating Pin is in the 8.706" center to center Holes.



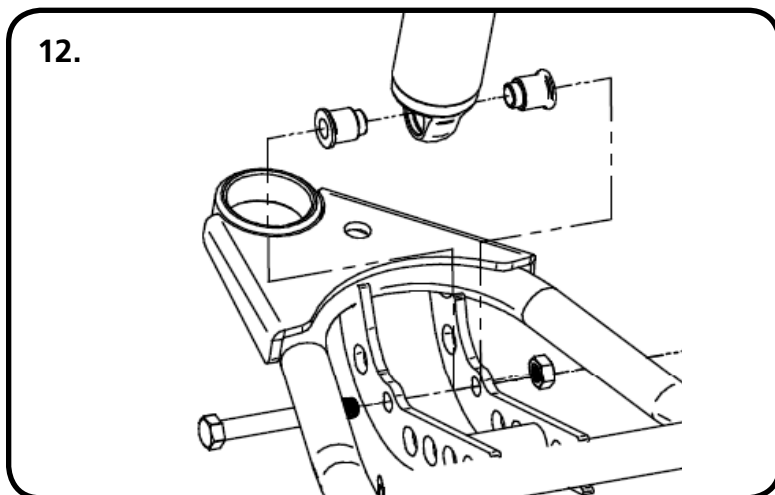
10. **Image 10** is an example of the lower bolted to the crossmember. Install 3/4" ID Washer on to each end of the crossshaft against the bushing. Then install the 3/4"-16 lock nut. Snug the nut up against the washer. You want the suspension move freely through its travel.



Installing CoilOver Assembly



11. Install a spacer on each side of the upper Coilover. Slide the assembly into the upper mount from the bottom side. If your shock has an adjuster knob position it to the wheel side of the mount. Line up the hole in the spacers with the hole in the strap and insert 1/2" x 3 1/4" bolt and install 1/2" Nylok nut.



12. Install a spacer on each side of the lower Coilover. Slide the shock with the spacers installed into the lower control arm. Raise the arm up to line up the holes in the bushing with the 1/2" hole in the control arm straps and hold it in place while you install the 1/2" x 3 1/4" bolt and 1/2" Nylok nut. Tighten the upper and lower shock bolts to 75 ftlbs.



13. Depending on your wheel size, you may need an external bumpstop to keep the tire from hitting the inner fender. The bump stop plate attaches to the wheel side of the crossmember. The bent tab goes against the back side of the crossmember with the holes as far out as you can drill them. Use the mount as a template to drill the holes and attach mount with the remaining 3/8 x 1 1/2" bolts washers and Nylok. After mounting the plate, you can attach the bumpstop. Torque the 3/8" hardware to 30 ftlbs.



Finishing & Alignment

14. The final step is to reinstall the spindle onto the truck. Slide the balljoint pins into the spindle and install the castle nut on each one. Torque the balljoint nuts and install cotter pins in each one.

Balljoint nut Torque Specs:

Upper: Torque to 50 ft lbs and then tighten nut to align cotter pin hole not exceeding 90ft lbs.

Lower: Torque to 90 ft lbs and then tighten nut to align cotter pin hole not to exceeding 130 ft lbs.

Suggested Alignment Specs:

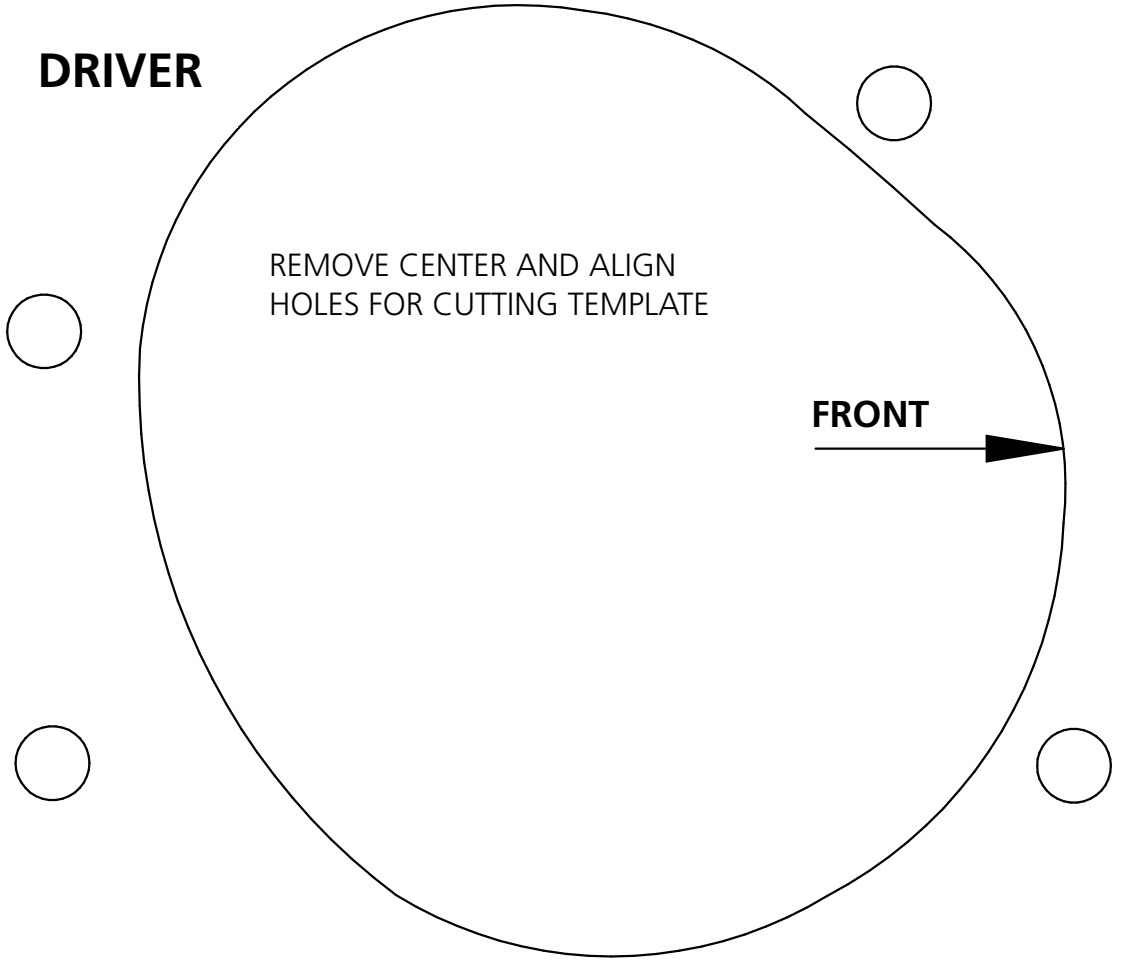
Camber: Street: -.5 degrees

Caster: Street: +3.0 to + 5.0 degrees

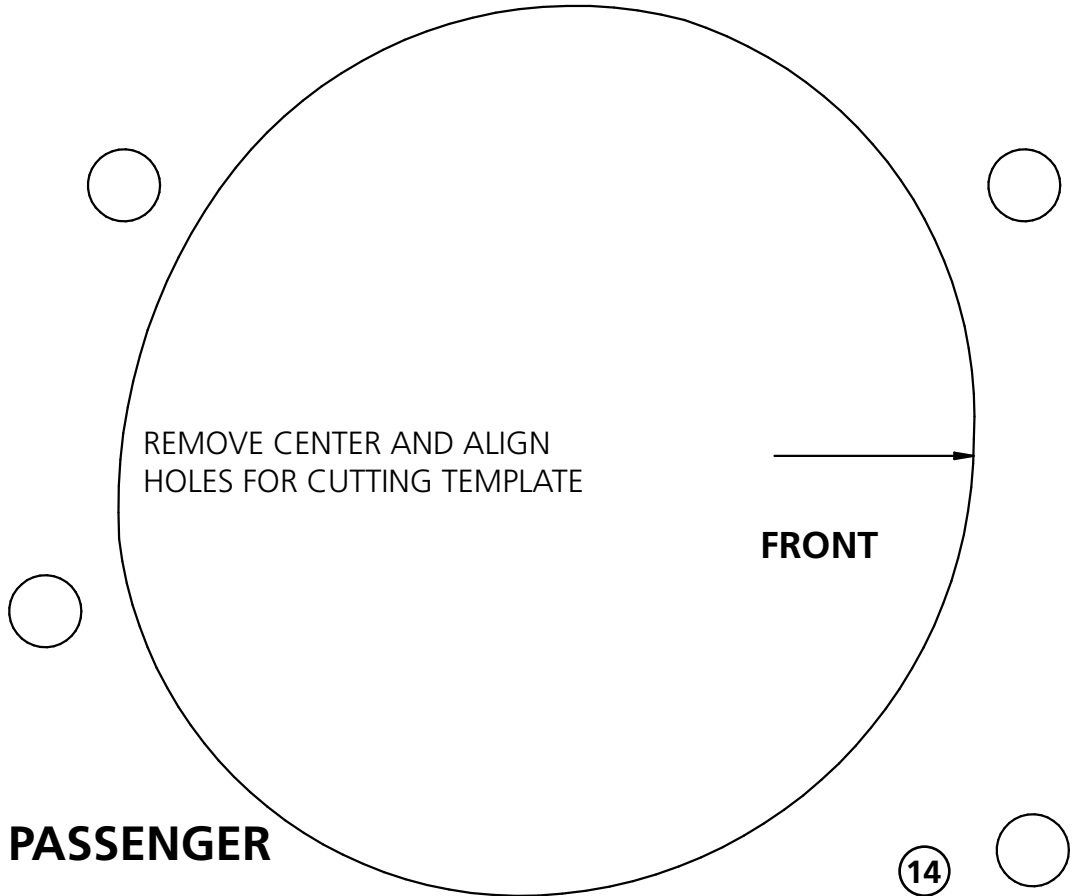
Toe: Street: 1/16" to 1/8" toe in

UPPER CROSSMEMBER TRIMMING TEMPLATE FOR SHOCKWAVE

DRIVER



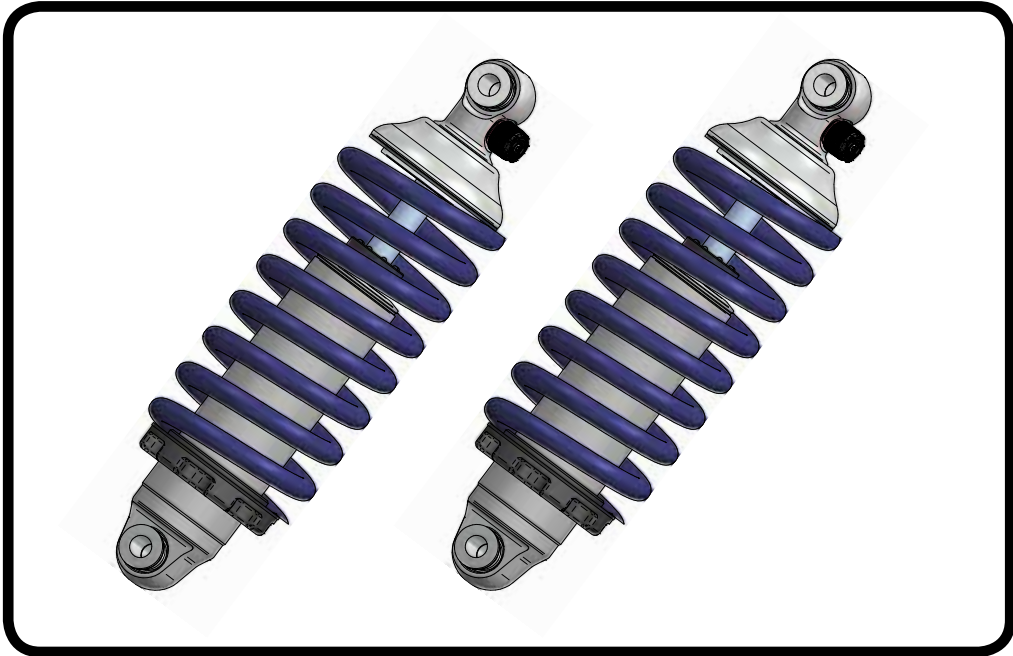
REMOVE CENTER AND ALIGN HOLES FOR CUTTING TEMPLATE



PASSENGER



Part # 1133510 - 1963-1972 C10 Front CoilOvers



Recommended Tools



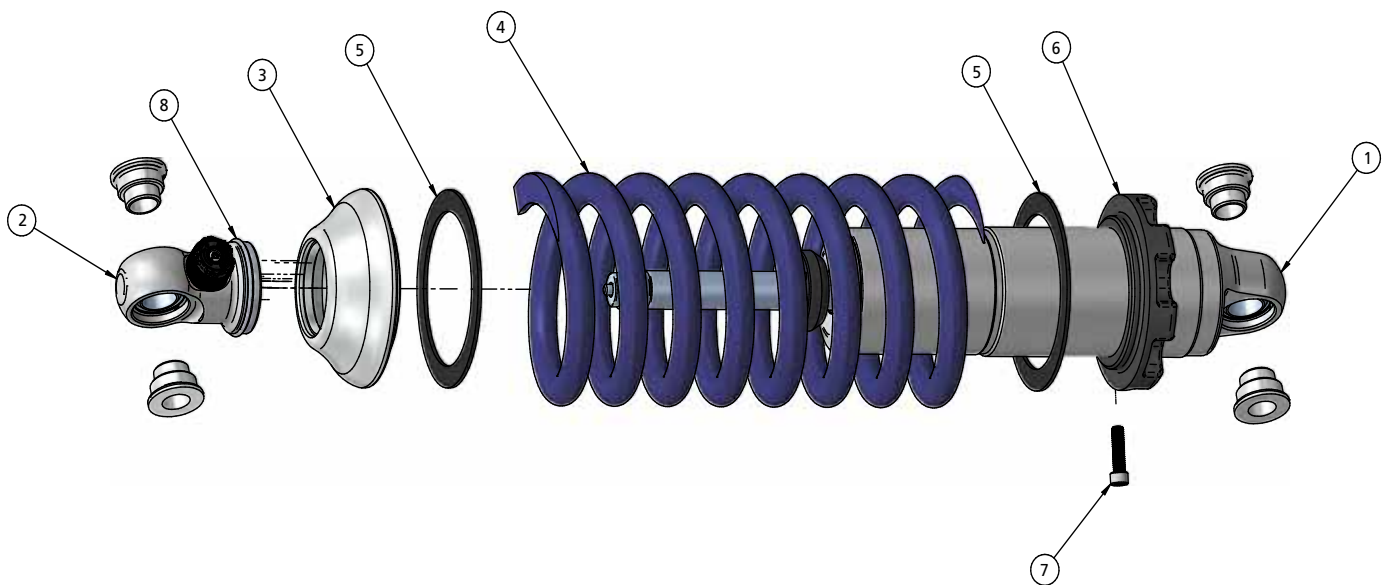
1963-1972 C-10 HQ Series Front Coilovers Installation Instructions

Table of contents
Page 16..... Included components



Major ComponentsIn the box

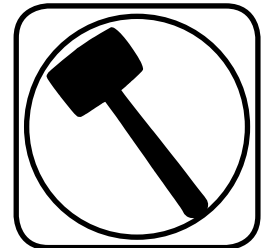
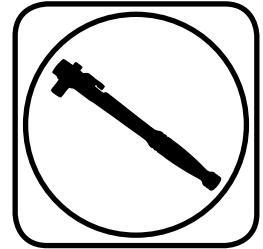
Item #	Part #	Description	QTY
1	24139999	3.6" Stroke HQ Series Shock	2
2	90002024	Shock Eyelet	2
3	90002070	Dropped Coilspring Cap	2
4	59080800	Coilspring 8" 800lb	2
5	70010828	Delrin Spring Washer	4
6	90002222(kit)	Lower Spring Adjuster Nut (90002222 kit)	2
7	90002222(kit)	Adjuster Nut Locking Screw (90002222 kit)	2
8	90002222(kit)	Retaining Ring (90002222 kit)	2
	90001994	5/8" ID Bearing (installed in shock and eyelet)	4
	90001995	Bearing Snap Ring (installed in shock and eyelet)	8





Part # **11342699**⁽⁶³⁻⁷⁰⁾/**11352699**⁽⁷¹⁻⁷²⁾ - C10 Drop Spindles

Recommended Tools



Major ComponentsIn the box

1	11349301/11359301	Pair of drop spindles
1	90001926	Pair of caliper brackets

Installation

Balljoint nut Torque Specs:

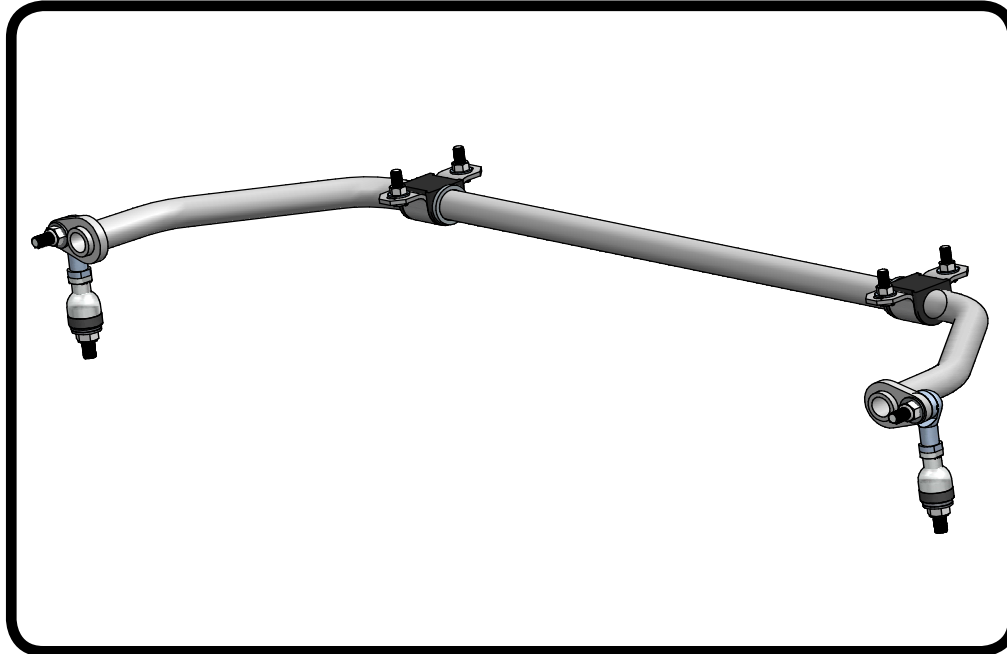
Upper: Torque to 50 ft lbs and then tighten nut to align cotter pin hole not exceeding 90ft lbs.

Lower: Torque to 90 ft lbs and then tighten nut to align cotter pin hole not to exceeding 130 ft lbs.

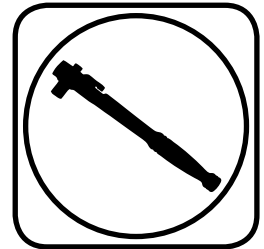
Note: These spindles are setup for 1973-1987 HD Rotor and Caliper. The HD Rotor is 1 1/4" wide.



Part # 11369100 - 1963-1987 C10 Front MuscleBar



Recommended Tools



1963-1987 C-10 Rear MuscleBar Installation Instructions

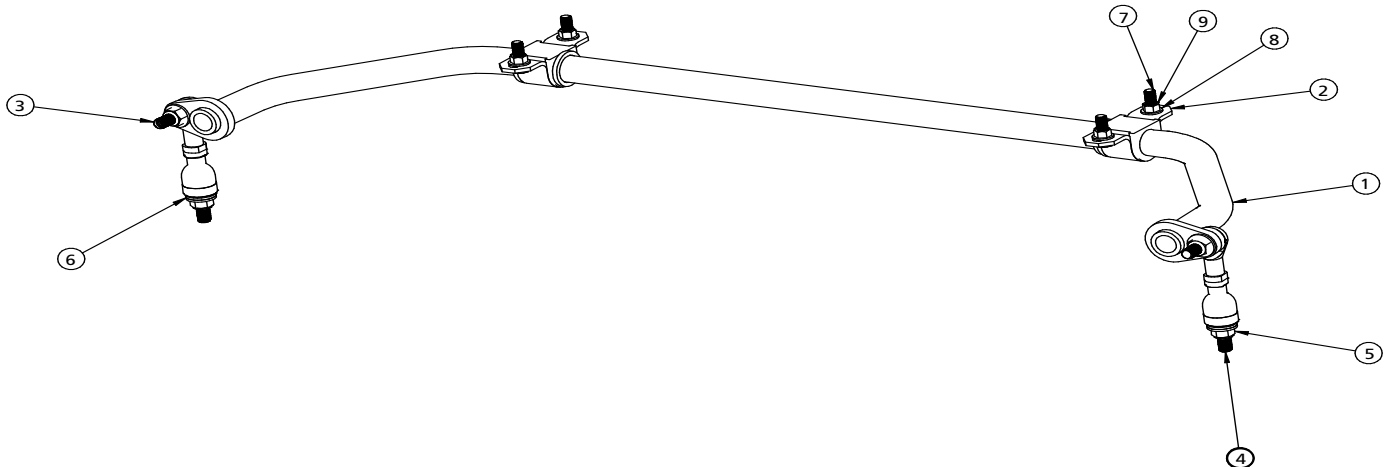
Table of contents

Page 19.....	Included components and Hardware List
Page 20.....	Getting Started
Page 21.....	MuscleBar Installation
Page 22.....	Final Tightening and Adjusting



Major ComponentsIn the box

Item #	Part #	Description	QTY
1	90000664	C-10 Rear MuscleBar Assembly	1
2	90001100	Poly Bushing and Frame Bracket (Pr)	1
3	9000921	12mm 90 degree elbow (Preassembled Posilink)	2
4	90000922	12mm Straight Posilink (Preassembled Posilink)	2
	99125001	M12-1.75 x 45mm Stud (Preassembled Posilink)	2
	90001092	Tube of Lithium Grease (Not Shown)	1



Hardware ListIn the box

Item #	QTY	Part Number	Description	Location
5	4	99122001	12-1.75mm Nylok Nut	Posilink Endlinks to frame and MuscleBar
6	8	99433002	7/16" SAE Flatwasher	Posilink Endlinks to frame and MuscleBar
7	4	99371004	3/8" -16 x 1 1/4" Hex Bolt	Bushing Bracket to Frame
8	8	99373003	3/8" SAE Flatwasher	Bushing Bracket to Frame
9	4	99372002	3/8" -16 Nylok Nut	Bushing Bracket to Frame



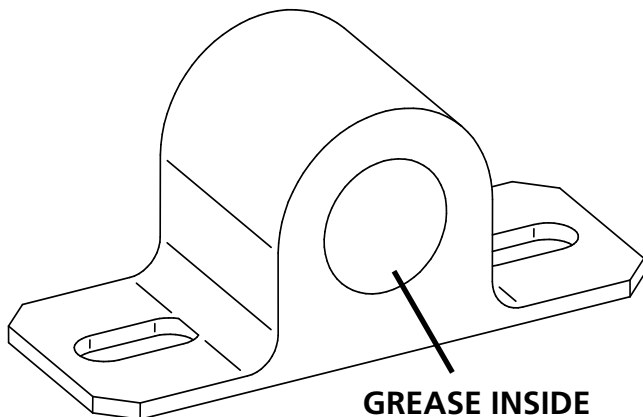
Getting Started.....

Congratulations on your purchase of the Ridetech Front Muscle Bar. This system has been designed to give your truck excellent handling along with a lifetime of enjoyment. One of the key features of this MuscleBar: Posilinks - The Posilink makes the reaction of the swaybar instantaneous.

Note: This sway bar is designed for use with RideTech lower StrongArms. It will not work with other arms without modification.

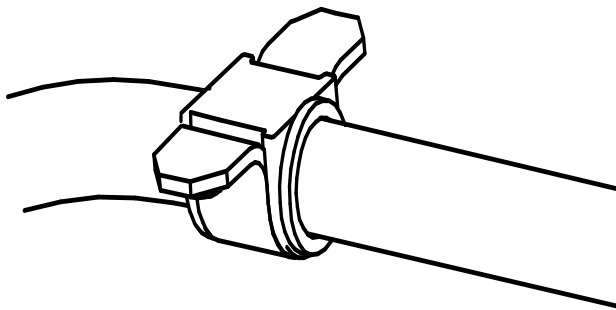
Note: Remove the factory sway bar. On trucks with a factory sway bar you will have to remove the sway bar frame mount.

1.



1. Apply Lithium grease to the inside of the sway bar bushings using the tube of grease supplied in the kit.

2.



2. Install the swaybar bushings and straps onto the MuscleBar. The bushings and straps get installed on the outer ends of the Muscle-Bar against the stop rings.



MuscleBar Installation



3. For 73-87

Remove the drop down Frame Bracket. Bolt the new MuscleBar to the frame rail using the poly bushing and bracket. The rear hole for the factory sway bar mount will be reused for the rear hole in the new bracket. The front hole must be drilled with a 3/8" bit. Four 3/8" x 1 1/4" bolts, Nylok nuts, and eight flat washers will secure it to the frame.



3. For 63-72

Clamp the mount 2 3/4" behind the oval hole in the bottom of the frame. Both of the holes for the sway bar mount must be drilled with a 3/8" bit. Secure the mount with four 3/8" x 1 1/4" bolts, Nylok nuts and flat washers.



4. Attach the Posilinks in the **CENTER** hole of the MuscleBar and the StrongArm using a 7/16" SAE Flatwasher on each side of the arm on the MuscleBar and each side of the bracket on the StrongArm. Install 12mm Nylok nut on each posilink and tighten down.



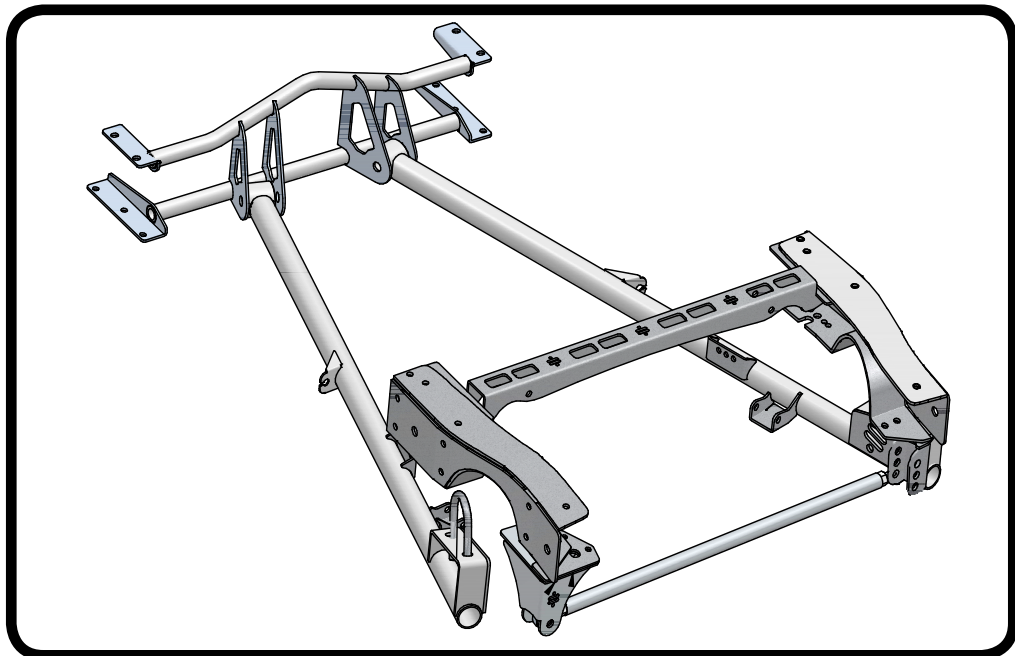
Final Tightening and Adjusting

5. Tighten the bolts attaching the bushings bracket to the frame. After installation, be sure that the Musclebar will go through the entire suspension travel without contacting anything

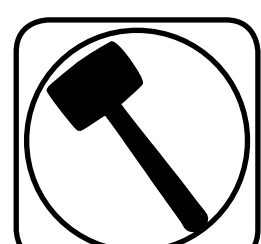
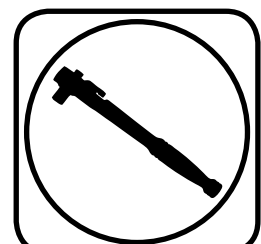
Note: If any grease is needed after installation use a lithium based grease. **DO NOT USE A PETROLEUM BASED GREASE**



Part # 11337199 - 1963-1972 C10 Rear StrongArms



Recommended Tools



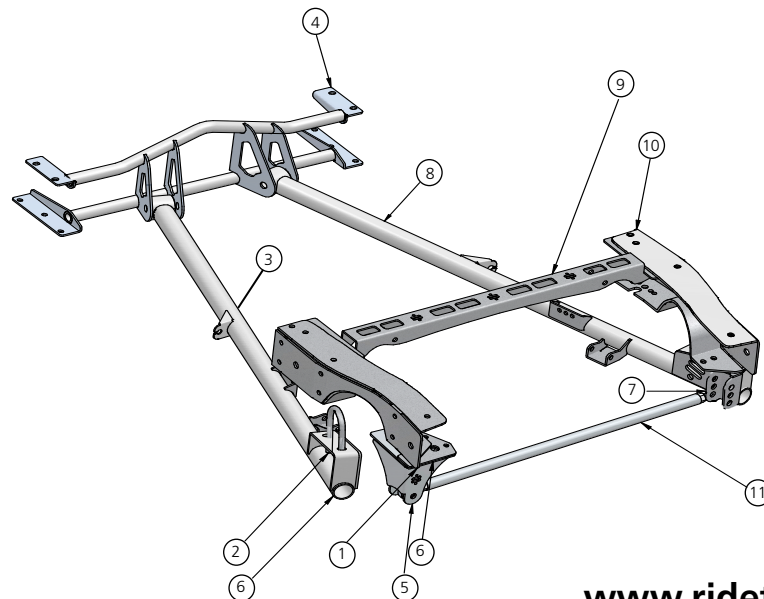
1963-1972 C-10 Rear StrongArms Installation Instructions

Table of contents	
Page 24.....	Included components
Page 25.....	Hardware List and Getting Started
Page 26.....	Disassembly and Front Crossmember Installation
Page 27.....	"C" Notch Installation
Page 28.....	"C" Notch Installation
Page 29.....	Installing "C" Notches and Shock Bridge
Page 30.....	Installing StrongArms and Panhard bar
Page 31.....	Installing Panhard bar and Shockwave/CoilOvers
Page 32.....	Finishing



Major ComponentsIn the box

Item #	Part #	Description	QTY
1	90002435	Panhard Mount Top Spacer	1
2	99756001	Trailing Arm U-bolt	2
3	90000626	Driver Side StrongArm	1
4	90000631	Front StrongArm Crossmember	1
5	90002436	Panhard Bar Frame Mount	1
6	90002434	Panhard Mount Bottom Spacer	1
7	90001589	Panhard Bar Heim End	2
8	90000627	Passenger Side StrongArm	1
9	90002432	Upper Shock Bridge	1
10	90000614	Passenger "C" Notch	1
10	90000613	Driver "C" Notch	1
11	90000940	Panhard Bar (34 5/8" center to center)	1
	90002062	Shockwave/Coilover Spacers (Not Shown)	8
	90001083	Medium Bumpstop - 1.5" tall (Not Shown)	2
	90000552	Panhard Bar Heim Spacers (Not Shown)	4
	70013402	R Joint Inner Housing (Trailing Arm R Joint Assembly)	2
	70013408	C10 R Joint End Spacer (Trailing Arm R Joint Assembly)	4
	70013279	Spirolox Retaining Ring (Trailing Arm R Joint Assembly)	2
	70013280	Wavo Wave Spring (Trailing Arm R Joint Assembly)	2
	70013276	Delrin Snap Over Bushing (Trailing Arm R Joint Assembly)	2
	70013275	R Joint Center (Trailing Arm R Joint Assembly)	2





Hardware ListIn the box (Kit# 99010052)

The Hardware Kit contains bags to help aid in selecting the correct hardware for the component being installed. The hardware list shows how the hardware is bagged.

QTY	Part Number	Description	USEAGE
PANHARD MOUNT & PANHARD BAR			
2	99621003	5/8" x 2 3/4" Gr. 8 Bolt	Panhard Bar
2	99622006	5/8" SAE Nylok Jam Nut	Panhard Bar
6	99431012	7/16" x 1 3/4" USS Bolt	Panhard Mount to Frame
6	99432001	7/16" USS Nylok Nut	Panhard Mount to Frame
12	99433002	7/16" SAE Flatwasher	Panhard Mount to Frame
FRONT CROSSMEMBER MOUNTING			
10	99431001	7/16" x 1" USS Bolt	Front Crossmember to Frame
20	99433002	7/16" SAE Flatwasher	Front Crossmember to Frame
10	99432002	7/16" USS Nylok Nut	Front Crossmember to Frame
"C" NOTCH MOUNTING			
4	99621014	5/8" x 1 1/2" Gr. 8 Bolt	"C" Notch to Frame
4	99622001	5/8" SAE Nylok Nut	"C" Notch to Frame
4	99623001	5/8" SAE Flatwasher	"C" Notch to Frame
"C" NOTCH MOUNTING			
6	99431002	7/16" x 1 1/4" USS Bolt	"C" Notch to Frame
12	99431001	7/16" x 1" USS Bolt	"C" Notch to Frame
18	99432001	7/16" USS Nylok Nut	"C" Notch to Frame
36	99433002	7/16" SAE Flatwasher	"C" Notch to Frame
TRAILING ARM TO CROSSMEMBER			
2	99621019	5/8" x 4 1/2" SAE Gr.8 Bolt	Trailing Arm to Crossmember
2	99622001	5/8" SAE Gr. 8 Nylok Nut	Trailing Arm to Crossmember
4	99623001	5/8" SAE Flat Washer	Trailing Arm to Crossmember
SHOCK BRIDGE & SHOCK MOUNTING			
4	99501024	1/2" x 3 1/4" USS Bolt	Shocks to Mounts
4	99502001	1/2" USS Nylok Nut	Shocks to Mounts
6	99431002	7/16" x 1 1/4" USS Bolt	Shock Bridge
6	99432001	7/16" USS Nylok Nut	Shock Bridge
12	99433002	7/16" SAE Flatwasher	Shock Bridge



Getting Started.....

Congratulations on your purchase of the Ridetech Rear Strongarm System. This system has been designed to give your truck excellent handling along with a lifetime of enjoyment. Some of the key features of this system: C-notches to give your truck a lowered stance, long panhard bar to reduce the side to side movement of the differential, double tube front trailing arm crossmember allows the exhaust to be ran through it, new trailing arms to replace old deteriorated trailing arms, and the biggest feature of all, it allows the use of Shockwaves or Coilovers.

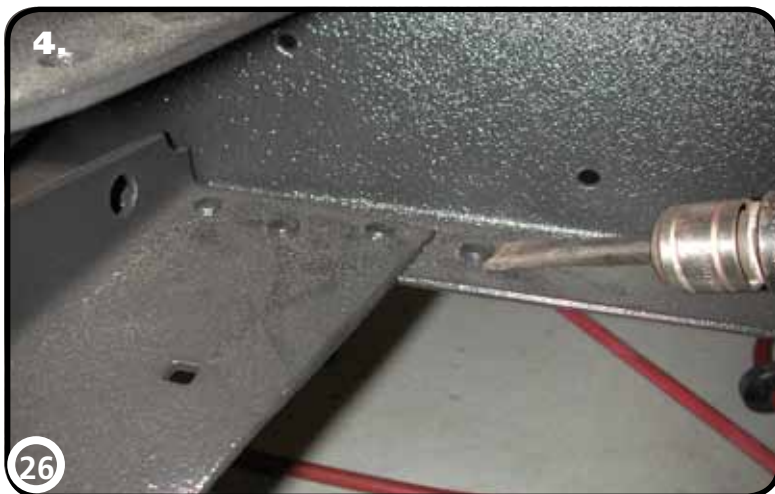
Note: These system is designed for use with the Ridetech Shockwaves or CoilOvers and the MuscleBar swaybar. **The factory shocks and springs or the factory sway bar will not fit these arms.**

Note: This kit is designed for trucks with the factory coilspring setup. It can be used on leaf spring trucks if a Coil spring differential is used or the trailing arm mounts are added to the leaf spring differential.

1. Raise the vehicle to a safe and comfortable working height. Let the rear suspension hang freely.
2. Remove the bed.
3. Raise the axle a couple inches and support it so that it cannot rotate. Remove the trailing arms, coil springs, shock absorbers, and panhard bar. Refer to the factory service manual for proper disassembly procedures.

Note: This kit is designed for use with a 1-piece drive shaft.

Disassembly and Front Crossmember Installation

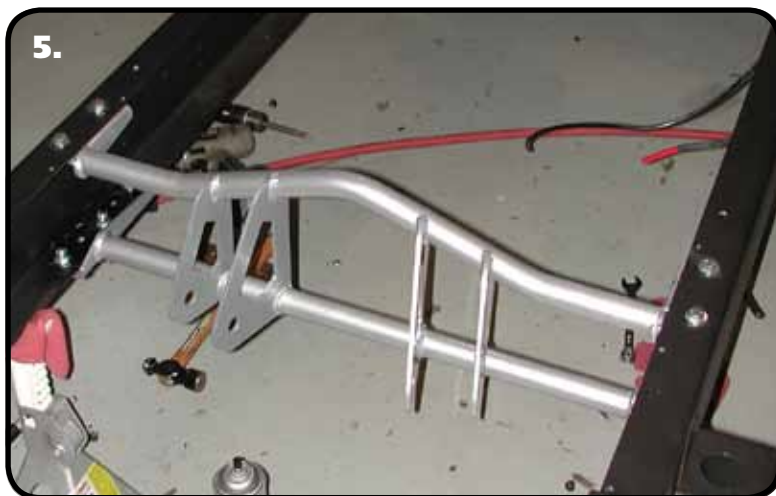


4. The factory trailing arm frame cross member will be replaced with the tubular one supplied. To remove the factory cross member, the rivets must be removed. The easiest method is to chisel them off with an air hammer. Then use a hammer and punch to drive the rivets out.

Note: On each side there is one rivet in front of the cross member and one behind that must also be removed for the new cross member.



"C" Notch Installation



5. Install the new cross member with the trailing arm flanges towards the rear. The cross member is bolted to the bottom side of the frame rails using 10 - 7/16" x 1" bolts, 10 - 7/16" Nylok nuts and 20 - 7/16" flat washers. It may be necessary to enlarge some of the holes with a 7/16" bit.



6. The factory upper shock cross member must also be removed to allow for the new upper shock cross member and "C" Notch.



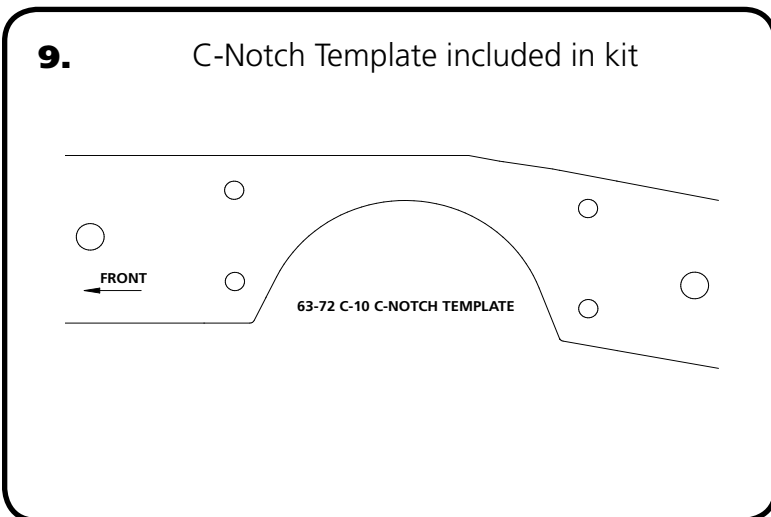
7. On the driver side of the rear frame cross member; these two rivets must be removed before installing the "C" notch. Also, remove the factory panhard mount.



"C" Notch Installation



8. The lower rear rivet on this reinforcement plate must also be removed to mount the notch.



9. Use the supplied "C" Notch template to mark out the frame for cutting. Before cutting out the frame, support the frame in front of and behind the "C" Notch area. We suggest doing one side at a time. The "C" Notch template has an arrow pointing to the front of the truck. Use the 5/8" holes to locate the template of the frame.

Note: We have see trucks with only (1) 5/8" hole. If your truck only has one hole, line it up and then, line up the other edge of the template with the frame rail.



10. The original shock crossmember holes will line up with the holes in the "C" Notch. You can use these holes to double check your Notch placement.



Installing "C" Notches and Shock Bridge

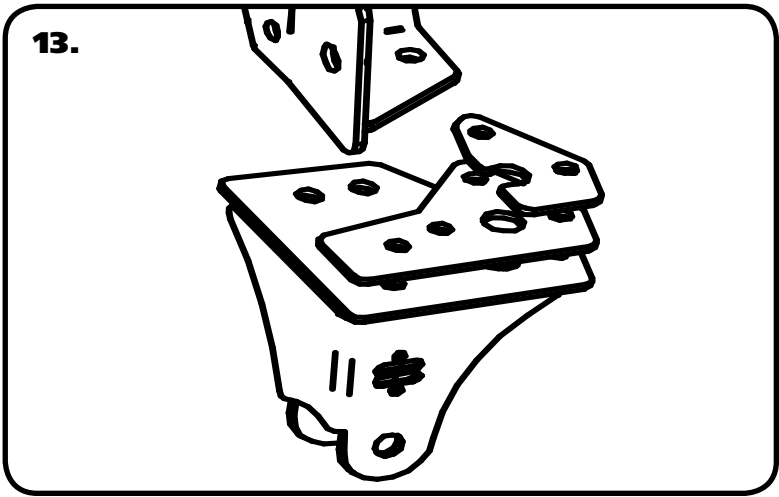


11. Slide the "C" Notch over the frame rail. On some trucks there is just one 5/8" hole, on others there are two holes. Insert 5/8" x 1 1/2" bolt, Nylok nut and flat washer in each hole to secure the notch. The factory rivet holes will need to be drilled out with a 7/16" drill bit. Use the "C" Notch as a template to drill the remaining holes. 7/16" x 1" bolts Nylok nuts and flatwashers. Leave the front (3) bolts out of the top of both notches and the (2) bottom rear bolts of the drivers side out for the moment.



12. Once both "C" Notches are in place bolt in the upper shock bridge. The new upper shock bridge uses the (3) holes in the top of the "C" Notch. The bridge is offset to the rear of the truck, it goes from "C" Notch to "C" notch under neath the top lip of the frame sandwiching the frame between it and the "C" Notch. It is bolted in place using (6) 7/16" x 1 1/4 bolts, Nylok nuts and flat washers.

Note: There are four holes on each side of the bridge; only 3 will be used.



13. Bolt the new panhard mount to the bottom side of the frame on the drivers side. The panhard mount uses (2) spacers to mount it properly (See diagram #13 for reference). The new panhard mount is bolted in place using (6) 7/16" x 1 3/4" bolts, Nylok nuts and flat washers.



Installing StrongArms and Panhard Bar



14. Install the bumpstops into the "C" Notch using a 3/8" nut and flatwasher.



15. The StrongArms are a direct replacement of the factory trailing arms and will bolt to the new tubular cross member using two 5/8" x 4 1/2" Bolts, 4 Flat Washers, & 2 Nylok nuts. Insert the R Joint Spacers into each side of the R Joint. These bushings are Delrin and do NOT need lubricating.

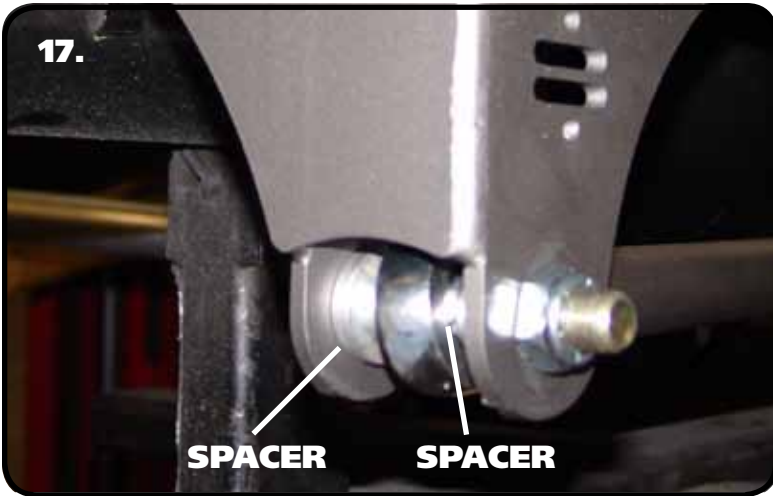
Note: There is a driver and passenger side arm. The shock mount will point towards the center of the vehicle. The Panhard mount is on the Passenger StrongArm.



16. Bolt the other end of the StrongArm to the axle using the new U-bolts supplied.

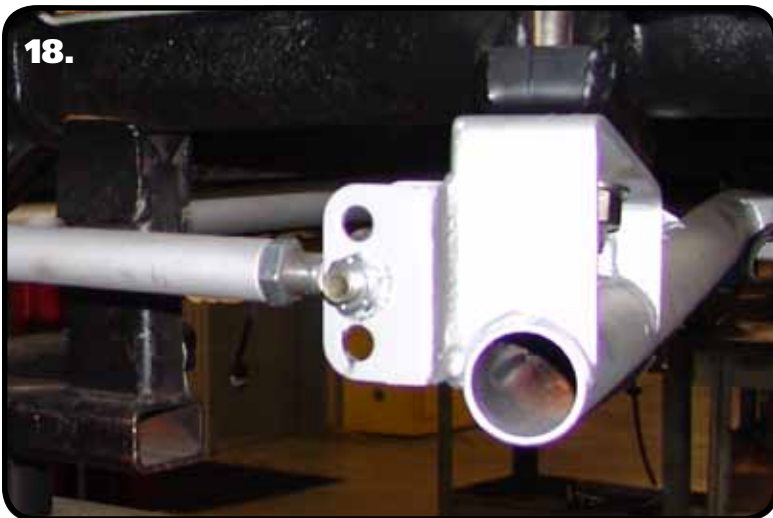


Installing Panhard Bar and Shockwaves/Coilovers

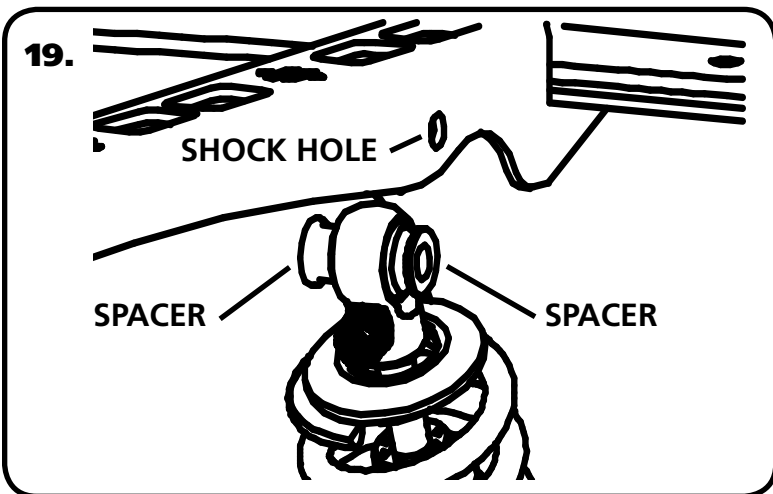


17. Install the Panhard bar into the frame bracket using a 90000552 Spacer on each side of the heim end. The Panhard bar is attached using 5/8" x 2 3/4" bolt and a jam Nylok nut.

Note: The panhard bar is set at 34 5/8" before it is shipped.



18. Install the other end of the Panhard bar into the bracket on the Passenger StrongArm using a 90000552 spacer on each side of the heim end. The **center** hole is the standard hole. The goal is to keep the panhard bar level as possible at **ride** height. If you decide to run the system higher or lower than the designed ride height the other 2 holes can be used to help keep the panhard bar level at **ride** height.

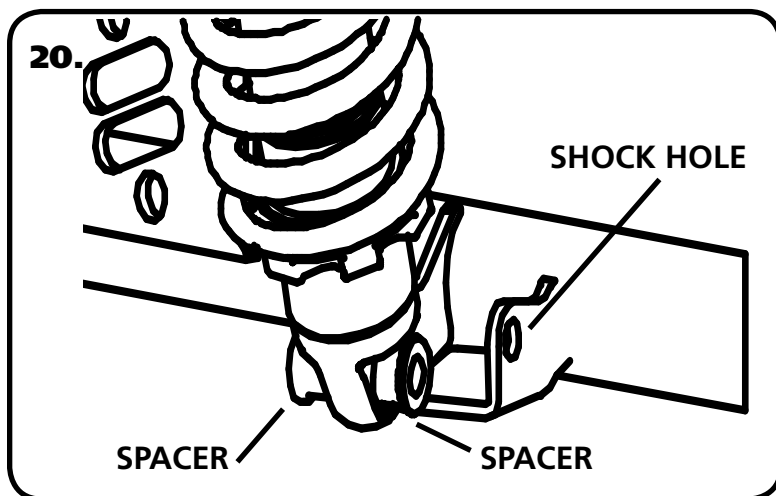


19. Install a spacer on each side of the upper Shockwave/Coilover. Slide the assembly into the upper bridge from the bottom side. If your shock has an adjuster knob position it so that the knob points toward the center of the truck. Line up the hole in the spacers with the hole in the upper shock bridge and insert 1/2" x 3 1/4" bolt and install 1/2" Nylok nut.

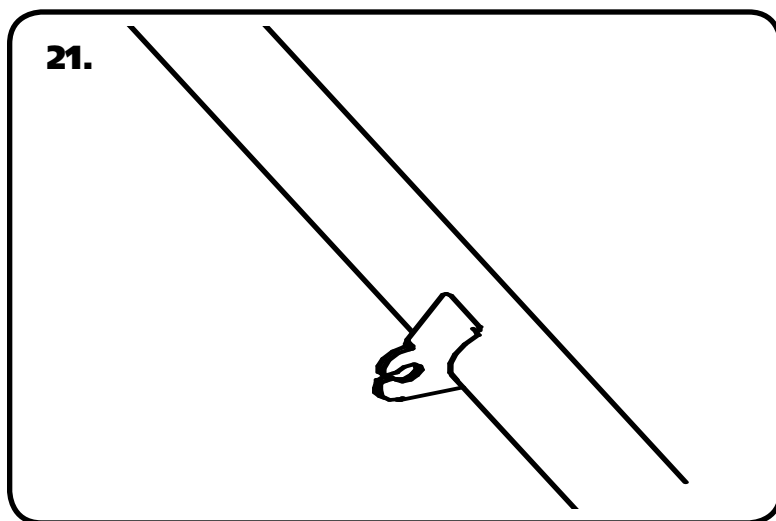
Note: If installing Shockwaves and you want to locate the air fitting in a different location, the air spring assembly can be rotated on the shock by grabbing the shock and air spring assembly by hand and spinning the shock in the air spring assembly.



Finishing



20. Install a spacer on each side of the lower Shockwave/Coilover. Slide the shock with the spacers installed into the mount on the lower StrongArm. You may need to jack the rearend up to line up the holes in the bushing with the 1/2" hole in the shock mounts and hold it in place while you install the 1/2" x 3 1/4" bolt and 1/2" Nylok nut. Tighten the upper and lower shock bolts.



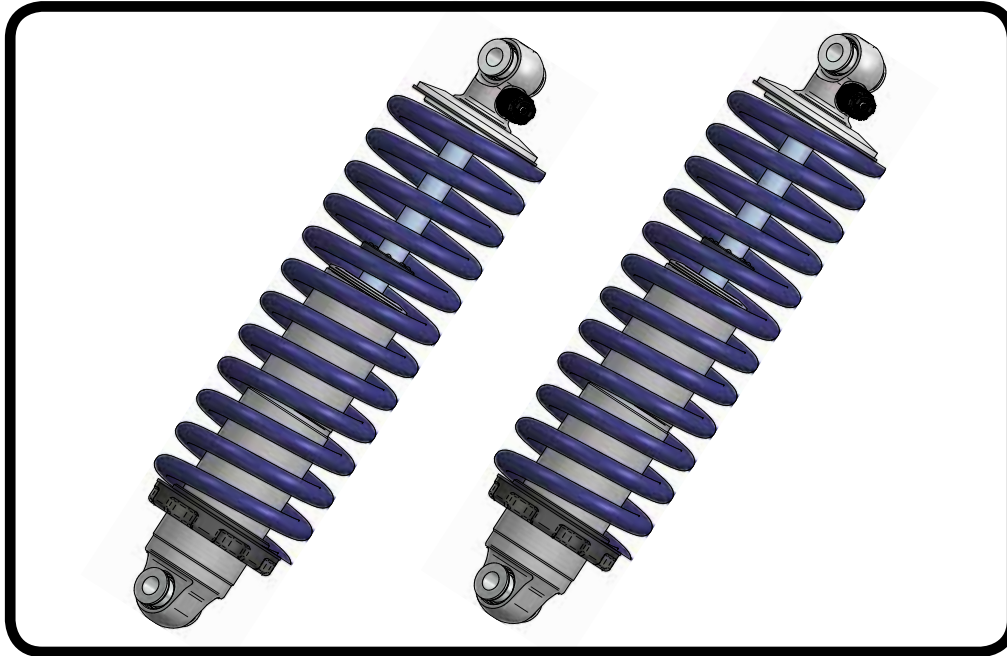
21. The StrongArms have a tab for the emergency brake cable. Install the cable into the tabs and hook the cables back up.

22. Tighten all fasteners. If you are going to install the Ridetech MuscleBar, now is a good time to do it. Reinstall the bed and set the truck back on the ground.

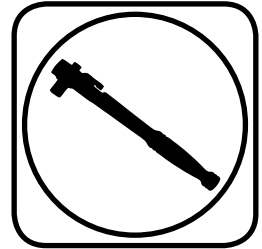
23. Set ride height on the truck. The ride height of the Shockwave/Coilover is approximately 14 1/2". If you are using Shockwaves, this is done by changing the air pressure in the Shockwaves. If you are using Coilovers, the ride height is done by using the adjuster nut for the coil spring. The coil spring on the Coilover will have some preload in the spring to get ride height, this is normal.



Part # 11336510 - 1963-1972 C10 Rear CoilOvers



Recommended Tools



1963-1972 C-10 HQ Series Rear Coilovers Installation Instructions

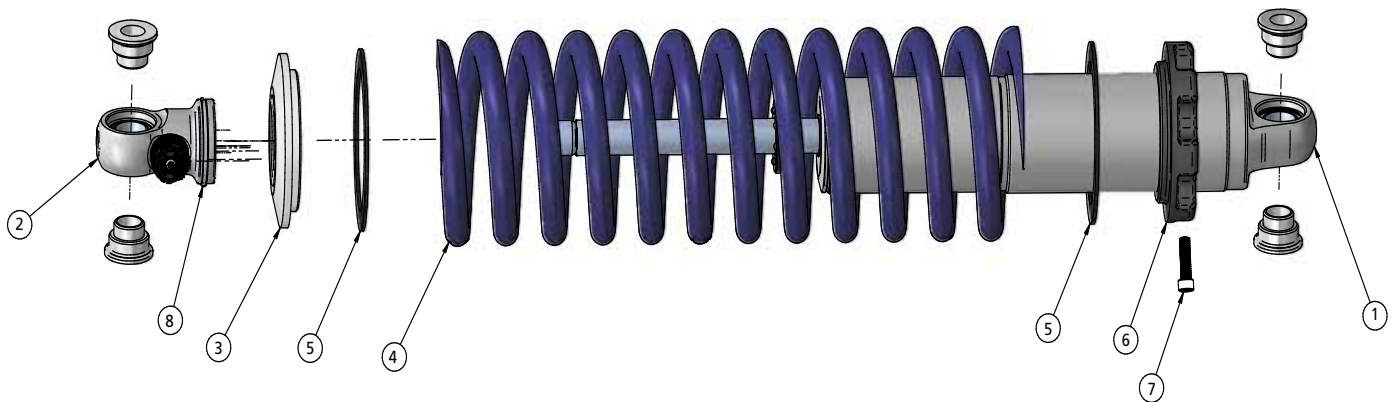
Table of contents

Page 34.....	Included components
Page 35.....	Assembly and Adjusting
Page 36.....	Shock Adjustment and Setting Height



Major ComponentsIn the box

Item #	Part #	Description	QTY
1	24159999	5.2" Stroke HQ Series Shock	2
2	90002024	Shock Eyelet	2
4	59120275	Coilspring 12" 275lb	2
5	70010828	Delrin Spring Washer	4
6	90002222(kit)	Lower Spring Adjuster Nut (90002222 kit)	2
7	90002222(kit)	Adjuster Nut Locking Screw (90002222 kit)	2
8	90002222(kit)	Retaining Ring (90002222 kit)	2
	90001994	5/8" ID Bearing (installed in shock and eyelet)	4
	90001995	Bearing Snap Ring (installed in shock and eyelet)	8





Assembly and Adjusting



First using the supplied lower adjuster nut(90002222) thread the nut onto the shock from the bottom side as seen in figure 1



Slide the Derlin washer over the spring, Next slide the upper spring mount (90002222) over eyelet as seen in figure 4.



Next install delrin washers then coil spring over the top of the shock as seen in figure 2



Install upper spring mount retainer clip (90002057) into the groove on the upper eyelet as seen in figure 5. Then reinstall adjuster to complete assembly.



Before the upper spring mount can be installed screw the adjuster knob on the upper eye mount to the firmest setting (clockwise) as seen in figure 3.



The included set of bearing spacers (900002044) are used to adapt the coil-overs to just about any application. The supplied spacers allow the coil-overs to accept 5/8" or 1/2" bolts.

Shock adjustment 101- Single Adjustable

Rebound Adjustment:

How to adjust your new shocks.

The rebound adjustment knob is located on the top of the shock absorber protruding from the eyelet.

You must first begin at the ZERO setting, then set the shock to a soft setting of 20.



-Begin with the shocks adjusted to the ZERO rebound position (full stiff). Do this by rotating the rebound adjuster knob clockwise until it stops.



-Now turn the rebound adjuster knob counter clock wise 20 clicks. This sets the shock at 20. (settings 21-24 are typically too soft for street use).

Take the vehicle for a test drive.



-if you are satisfied with the ride quality, do not do anything, you are set!



-if the ride quality is too soft increase the damping effect by rotating the rebound knob clock wise 3 clicks. **CONTINUE ON NEXT PAGE.**



Shock Adjustment

Take the vehicle for another test drive.



-if the vehicle is too soft increase the damping effect by rotating the rebound knob clock wise 3 additional clicks.

-If the vehicle is too stiff rotate the rebound adjustment knob counter clock wise 2 clicks and you are set!

Take the vehicle for another test drive and repeat the above steps until the ride quality is satisfactory.

Note:

One end of the vehicle will likely reach the desired setting before the other end. If this happens stop adjusting the satisfied end and keep adjusting the unsatisfied end until the overall ride quality is satisfactory.

Final Tightening and Adjusting

Ride Height

We have designed most cars to have a ride height of about 2" lower than factory. To achieve the best ride quality & handling, the shock absorber needs to be at 40-60% overall travel when the car is at ride height. This will ensure that the shock will not bottom out or top out over even the largest bumps. Measuring the shock can be difficult, especially on some front suspensions. Measuring overall wheel travel is just as effective and can be much easier. Most cars will have 4-6" of overall wheel travel. One easy way to determine where you are at in wheel travel is to take a measurement from the fender lip (center of the wheel) to the ground. Then lift the car by the frame until the wheel is just touching the ground, re-measure. This will indicate how far you are from full extension of the shock. A minimum of 1.5" of extension travel (at the wheel) is needed to ensure that the shock does not top out. If you are more than 3" from full extension of the shock then you are in danger of bottoming out the shock absorber.

Adjusting Spring Height

When assembling the CoilOver, screw the spring retainer tight up to the spring (0 preload). After entire weight of car is on the wheels, jounce the suspension and roll the car forward and backward to alleviate suspension bind.

- If the car is too high w/ 0 preload then a smaller rate spring is required. Although threading the spring retainer down would lower the car, this could allow the spring to fall out of its seat when lifting the car by the frame.
- If the car is too low w/ 0 preload, then preload can then be added by threading the spring retainer up to achieve ride height. On 2.6" - 4" stroke shocks, up to 1.5" of preload is acceptable. On 5-7" stroke shocks, up to 2.5" of preload is acceptable. If more preload is needed to achieve ride height a stiffer spring rate is required. Too much preload may lead to coil bind, causing ride quality to suffer.