



350 S. St. Charles St. Jasper, In. 47546
Ph. 812.482.2932 Fax 812.634.6632

www.ridetech.com

Part # 11160201
67-69 GM "F" Body CoilOver System

Front Components:

1	11163510	Front HQ Series CoilOvers
1	11162899	Front Lower StrongArms
1	11163699	Front Upper StrongArms
1	11009300	RideTech Tall Spindles
1	11169100	Front MuscleBar

Rear Components:

1	11167199	Rear AirBar – Bolt-on 4 Link
1	11166510	Rear HQ Series CoilOvers

Components:

1	85000000	Spanner Wrench
---	----------	----------------



350 S. St. Charles St. Jasper, In. 47546
Ph. 812.482.2932 Fax 812.634.6632
www.ridetech.com

Part # 11163510
67-69 GM "F" Body HQ Series Front CoilOvers
For Use w/ StrongArms and Tall Spindle

Shock Assembly:

2	24139999	3.6" stroke HQ Series shock
2	90009989	2.75" threaded stud top
2	90001994	.625" I.D. bearing
4	90001995	bearing snap ring

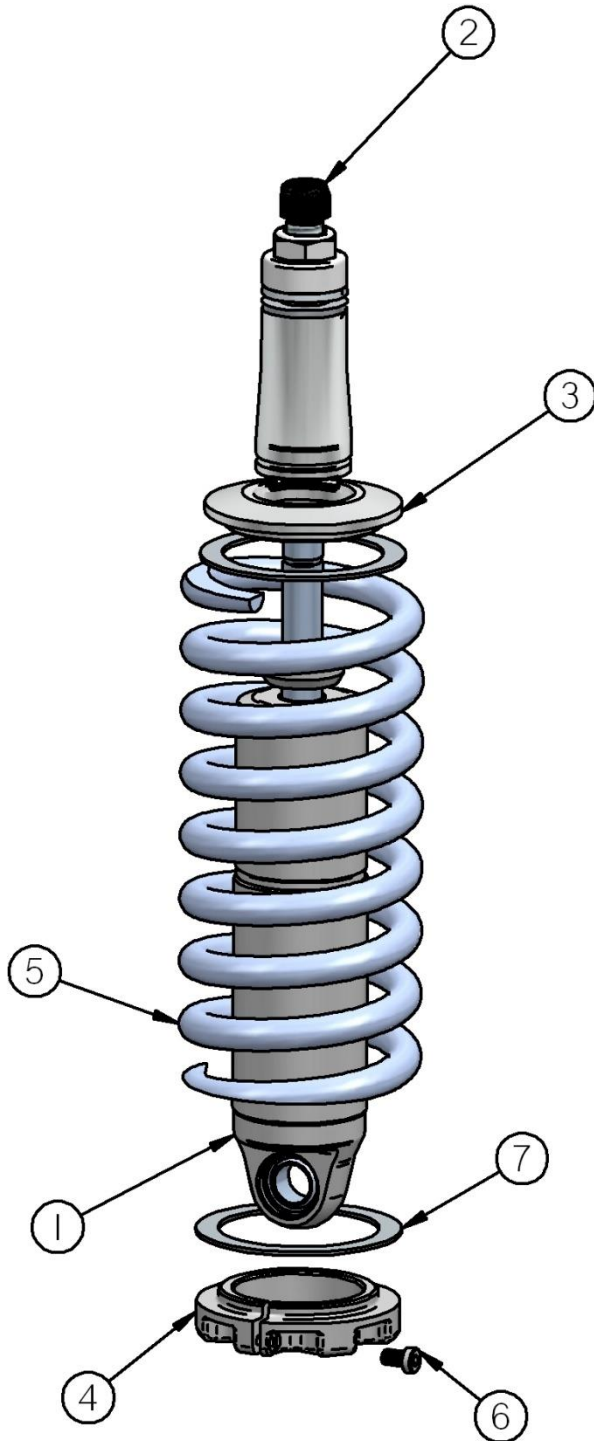
Components:

2	59080700	Coil spring – 8" long / 700 # rate
2	90002313	2.75" stud top base
2	90002222	Spring retainer kit (included upper and lower spring retainer, screw & clip)
2	90001902	Aluminum cap for Delrin ball
2	90001903	Delrin ball upper half
2	90001904	Delrin ball lower half
4	70010828	Delrin Spring Washer

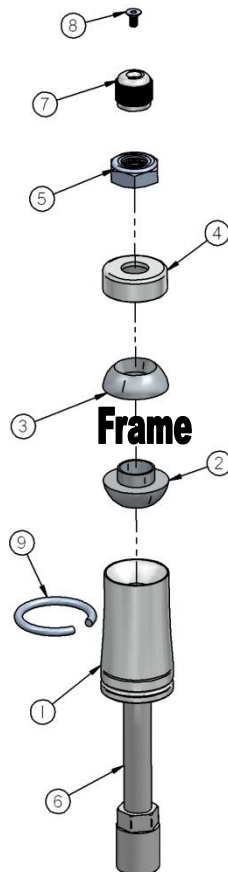
Hardware:

2	99562003	9/16" SAE Nylok jam nut	Stud top hardware
---	----------	-------------------------	-------------------

COILOver

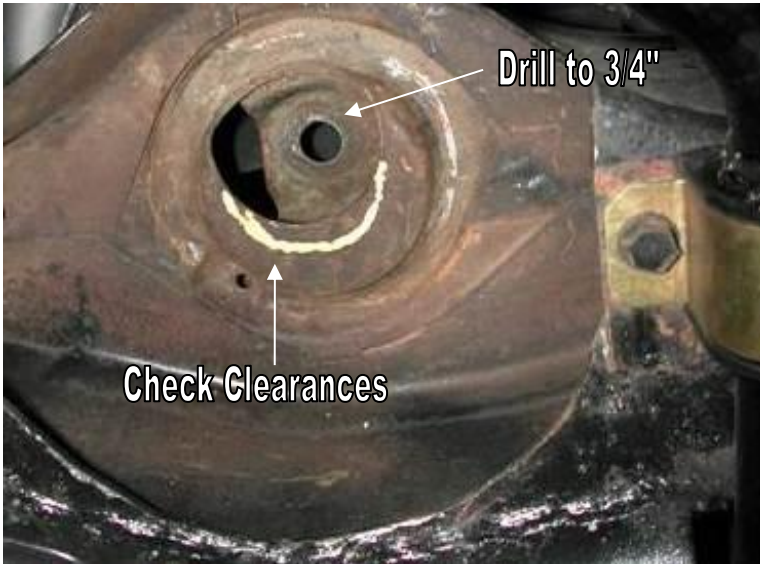


1. Impact Forged, Monotube shock
2. Rebound adjustment knob (SA Only)
3. Upper coil spring retainer
4. Lower coil spring retainer
5. High tensile coil spring
6. Set screw
7. Delrin Spring Washer



1. Stud top base
2. Lower Delrin ball half
3. Upper Delrin ball half
4. Aluminum cap
5. 9/16" Nylok jam nut
6. Threaded stud
7. Adjustment knob (SA Only)
8. Screw
9. Snap ring

COILOver



1. Inspect the factory welds attaching the upper shock bracket to the frame. Re-weld if necessary.
2. To allow the step in the lower Delrin ball half to slide into the factory shock hole, the hole will need to be drilled out to $\frac{3}{4}$ ".
3. Assemble the CoilOver then place into the coil spring pocket w/ the stud and lower Delrin ball sticking through the factory shock hole.



4. Check clearance between the upper spring retainer and stud base with the factory coil spring retainer this area may need trimmed to get full shock movement.
5. Place the upper Delrin ball over stud, then the aluminum cap. Secure the assembly w/ the 9/16" Nylok jam nut.
6. Attach the bottom of the shock to the lower StrongArms using the spacers and hardware supplied w/ the arm.



350 S. St. Charles St. Jasper, In. 47546
Ph. 812.482.2932 Fax 812.634.6632

www.ridetech.com

Part # 11162899
67-69 GM "F" Body & 68-74 GM "X" Body Lower StrongArms
For Use w/ Shockwave or CoilOver

Components:

1	90000621	Driver side lower arm
1	90000622	Passenger side lower arm
2	90000898	Ball joint (includes boot, grease fitting, castle nut & cotter pin)
4	90000516	Inner bushing sleeve - .5" I.D. x .75" O.D. x 2.375" long
8	70010759	Delrin bushing half – 1.5" O.D.
4	90002062	Aluminum spacers – shock to lower arm

Hardware:

2	99501024	1/2"-13 x 3 1/4" Gr.5 bolt	Shockwave to lower arm
4	99501005	1/2"-13 x 3 1/2" Gr.5 bolt	Lower arm to frame
6	99502001	1/2"-13 Nylok Nut	Lower arm
2	99371010	3/8" x 5 1/2" USS bolt	Sway bar end link
4	99372002	3/8" USS Nylok Nut	Sway bar end link & Steering Stop
2	99371004	3/8" x 1 1/4" USS bolt	Steering stop

STRONG ARMS™

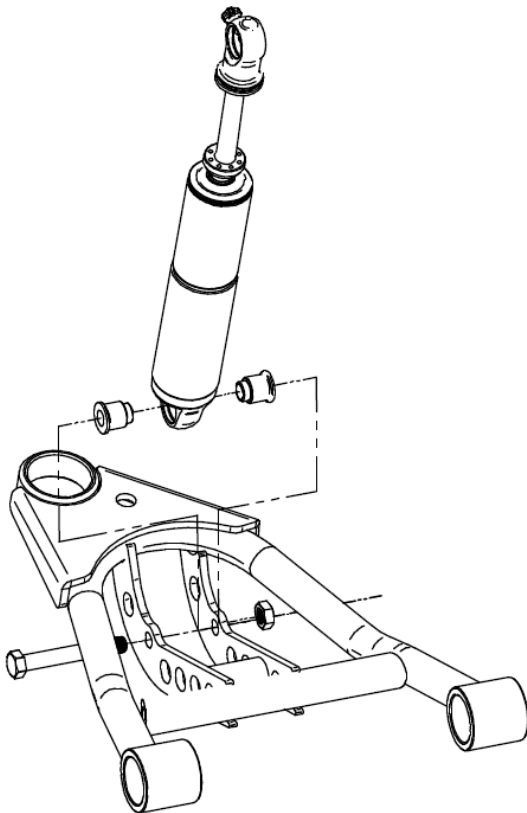
by Air Ride Technologies

Installation Instructions

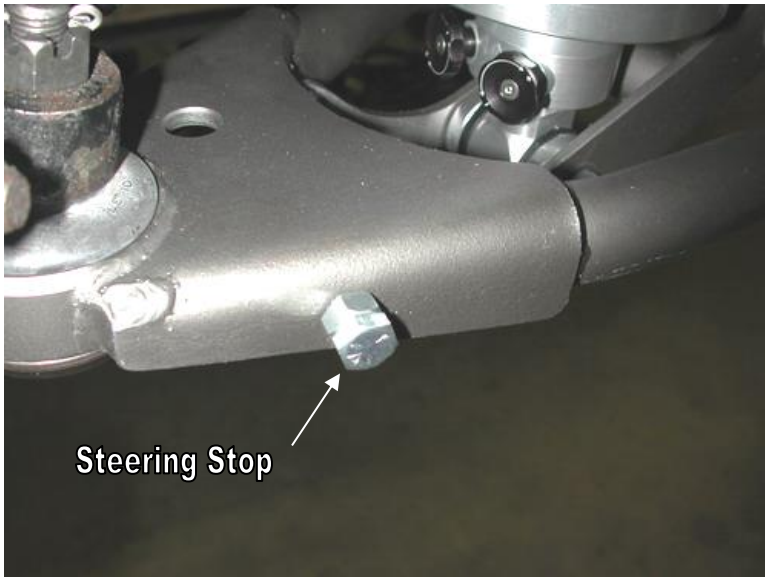


1. After removing the factory lower control arm, clean the bushing mounting surfaces on the frame.
2. Fasten the lower arm to the frame with the $\frac{1}{2}$ " x $3 \frac{1}{2}$ " bolts and Nylok nuts supplied.

Note: On some cars the frame brackets may be pinched and will need to be spread back apart to allow bushing to slide in.



3. Swing the lower StrongArm up to the Shockwave and secure with the $\frac{1}{2}$ " x $3 \frac{1}{4}$ " bolt and Nylok nut, an aluminum spacer must be installed on each side of the bearing.
4. Slide the ball joint boot over the stud, then push the stud up through the spindle. Secure w/ the new castle nut and cotter pin supplied.
5. Grease the ball joints.
6. The Delrin Bushings are self-lubricating, no grease is required.



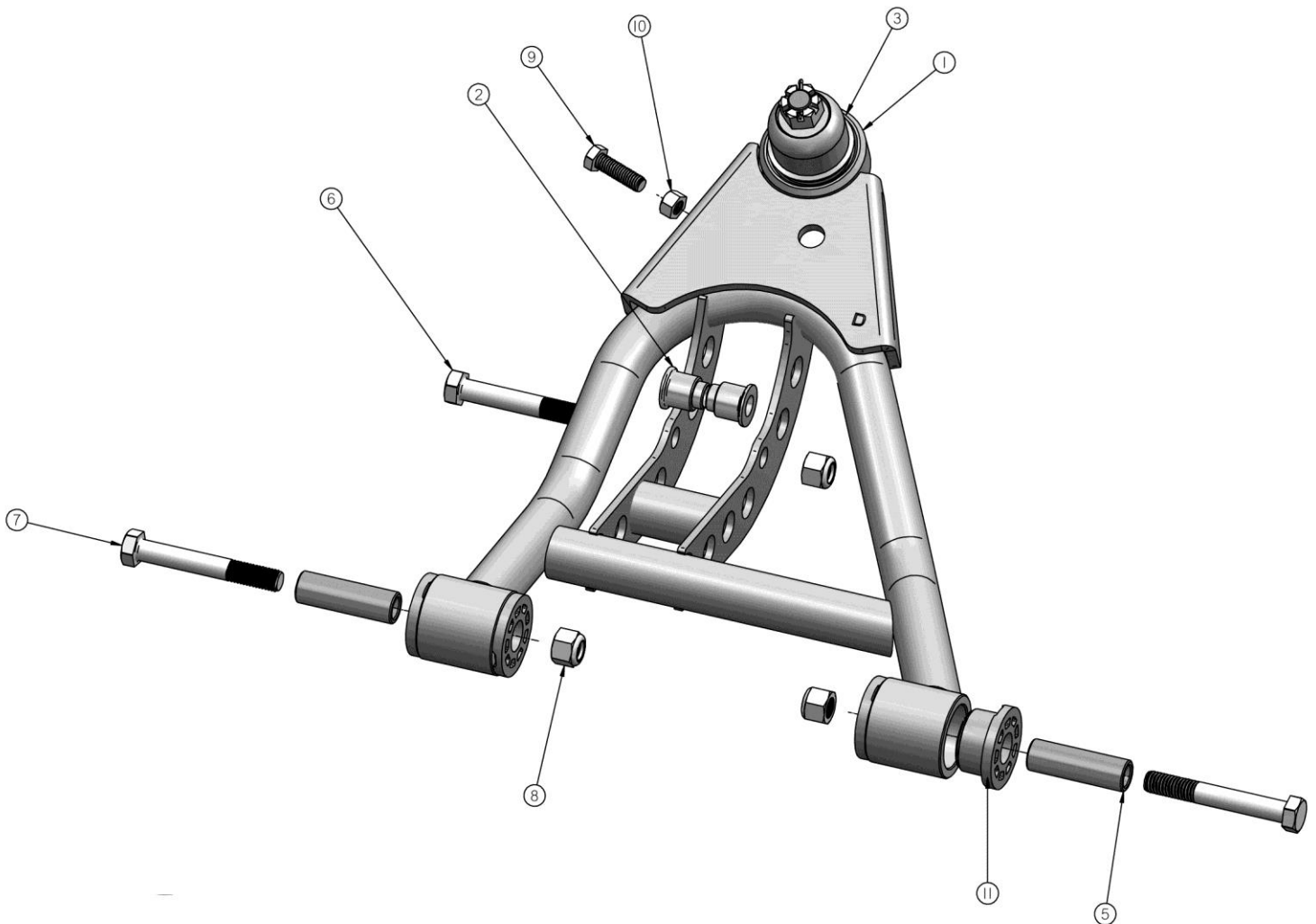
7. Screw a $3/8$ " x $1\ 1/4$ " bolt and nut into the hole in the side of the lower arm. This will act as an adjustable steering stop. After the wheel is install check wheel clearance all full lock and adjust as necessary.

8. If using factory style sway bar, shorten the sway bar end link spacer to $1\ 1/2$ " tall. New $3/8$ " x $5\ 1/2$ " bolts and Nylok nuts are supplied.

STRONG ARMS™

by Air Ride Technologies

Item #	Description	Qty.
1.	Passenger side arm	1
1.	Driver side arm	1
2.	Aluminum bearing spacer	4
3.	Ball joint	2
5.	Inner bushing sleeve	4
6.	1/2"-13 x 3 1/4" bolt	2
7.	1/2"-13 x 3 1/2" bolt	4
8.	1/2"-13 Nylok nut	6
9.	3/8"-16 x 1 1/4" bolt	2
10.	3/8"-16 Nylok nut	2
11.	Delrin Bushing Half	8





350 S. St. Charles St. Jasper, In. 47546
Ph. 812.482.2932 Fax 812.634.6632

www.ridetech.com

Part # 11163699
67-69 GM "F" Body & 68-74 GM "X" Body Upper StrongArms

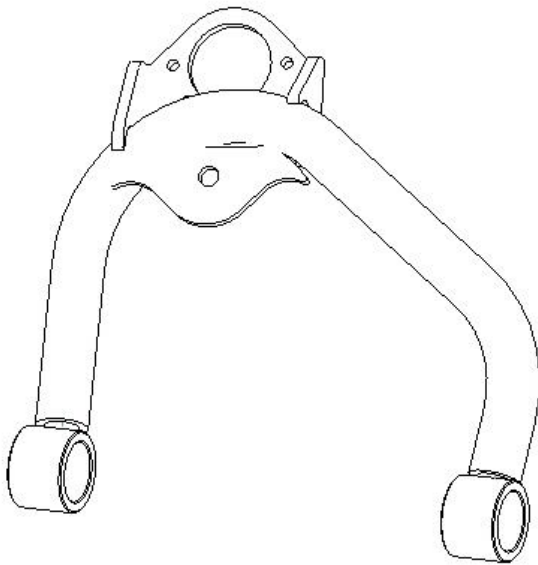
Components:

1	90002390	Drivers side arm
1	90002391	Passenger side arm
2	90000908	Ball joint (includes boot, grease fitting, castle nut & cotter pin)
2	90000914	Caster Adjustable Cross shaft w/Hardware
2	70010826	Delrin Bushing – no ledge
2	70010827	Delrin Bushing – small ledge
4	70010759	Delrin Bushing – outer
4	90002737	Cross shaft T-washer
4	70010883	Zero Offset Caster Slugs
2	90001083	Medium bump stop w/ hardware

Installation Instructions



Driver Side Top View



1. On some cars, to remove the upper control arm you must remove the bolts, which are pressed into the frame. We made this slide hammer adapter (a nut with a piece of angle iron welded to it) to aid in removing the bolts.

2. Fasten the upper arm to the frame using the factory hardware. Reinstall the current alignment shims, but **vehicle must be realigned**. This arm was designed with an extra 2 degrees of positive caster with the centered caster slugs. Additional caster slugs are available if more or less caster is desired. By changing the caster slugs you can achieve the caster setting you are wanting without having to run a lot of shims. Caster is explained on the next page.

3. Drop ball joint down through upper arm. Slide ball joint boot over stud, then place boot retainer over the boot. Clamp assembly tight w/ the hardware supplied.

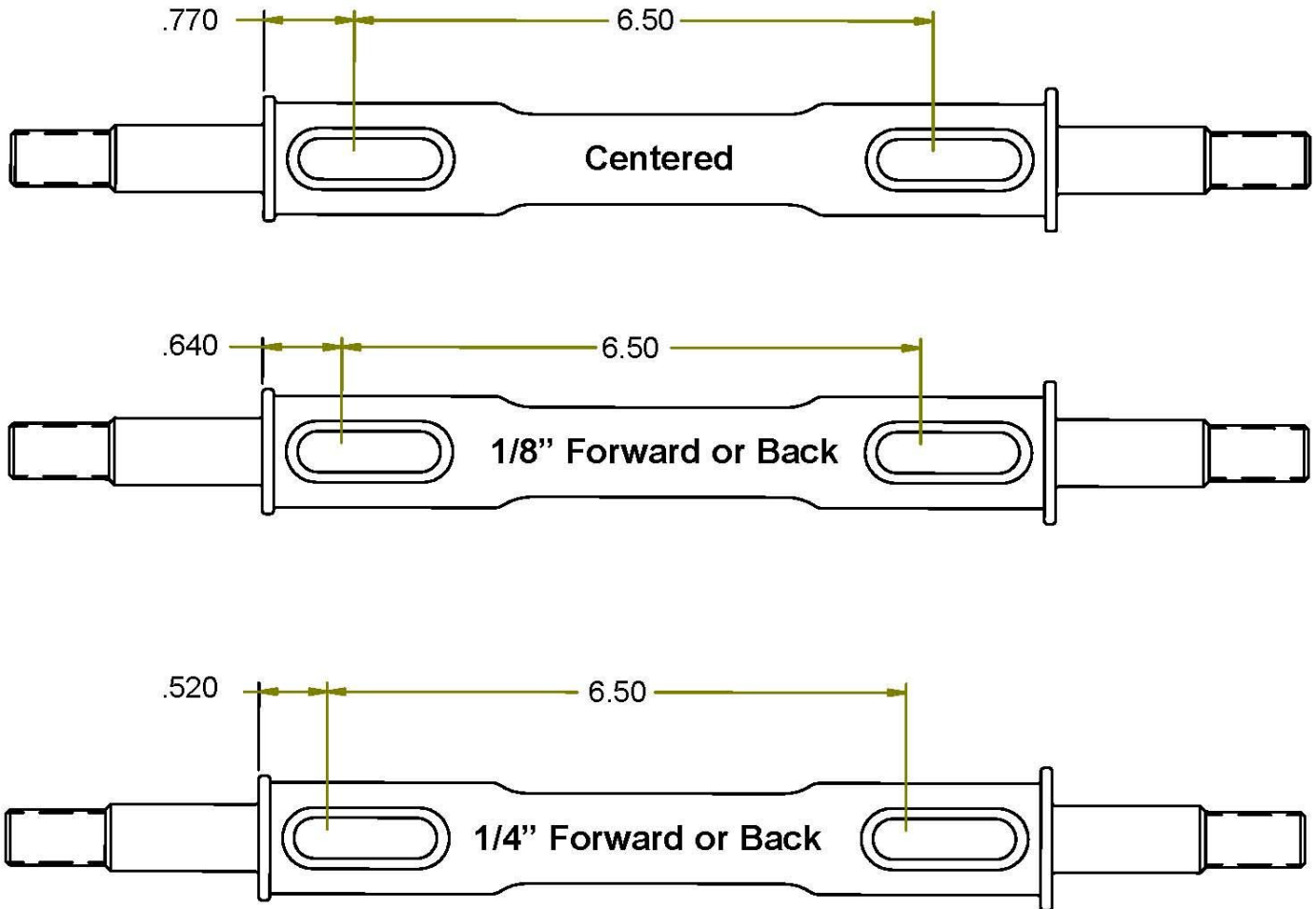
4. Fasten the ball joint to the spindle w/ the new castle nut and cotter pin supplied.

5. Tighten the cross shaft nuts enough to create drag on the delrin bushings, the arm should still move.

6. Lubricate the ball joint w/ standard grease.

STRONG ARMS™

by Air Ride Technologies



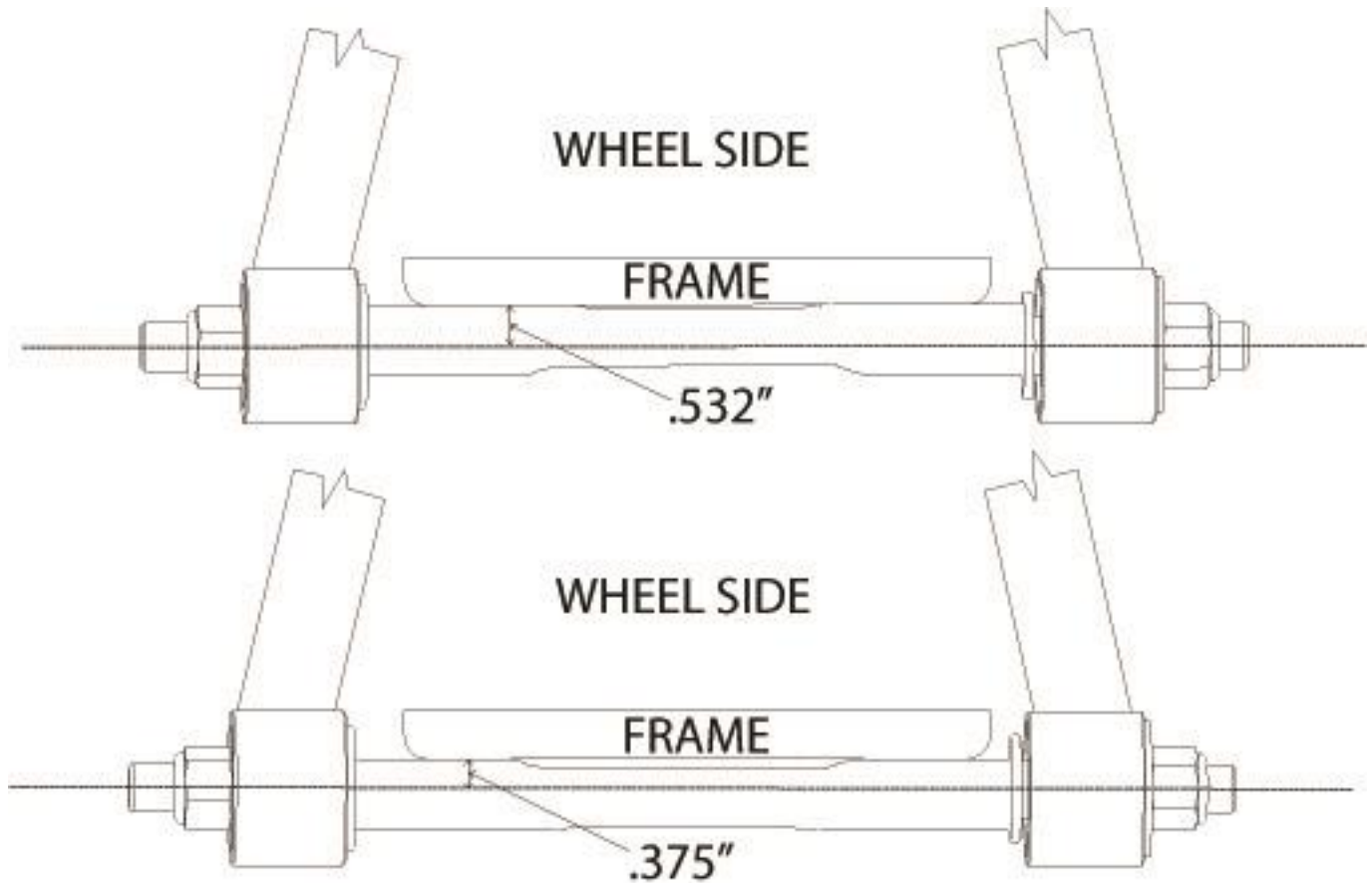
These Strong Arms come equipped with a changeable castor slug setup. This allows you to add or remove castor from the front suspension, if desired. The castor slugs that come in the kit are setup to put the control arm in the centered position, which is approximately 3 degrees of castor. The castor slugs allow you to add or remove castor without having to use a stack of shims. If more or less castor is desired, optional castor slugs can be purchased from your Ridetech dealer or Ridetech.

Caster Explained:

To understand castor you need to picture an imaginary line that runs through the upper ball joint and extends through the lower ball joint. From the side view the imaginary line will tilt forward or backward. The tilting of this imaginary line is defined as castor.

Caster is measured in degrees by using a castor camber gauge. If the imaginary line described above tilts towards the back of the car, at the top, then you will have positive castor. If the imaginary line tilts forward then you would have negative castor.

Positive castor provides the directional stability in your car. Too much positive castor will make the steering effort difficult. Power steering will allow you to run more positive castor. Negative castor requires less steering effort but can cause the car to wander down the highway.



Offset Upper Cross Shaft

The cross shaft that is used in the upper control arm is offset. The offset combined with the caster slug option allows you to achieve the alignment setting you desire with minimal shims. To change the direction that the Icon faces, simply spin the cross shaft in the control arm.

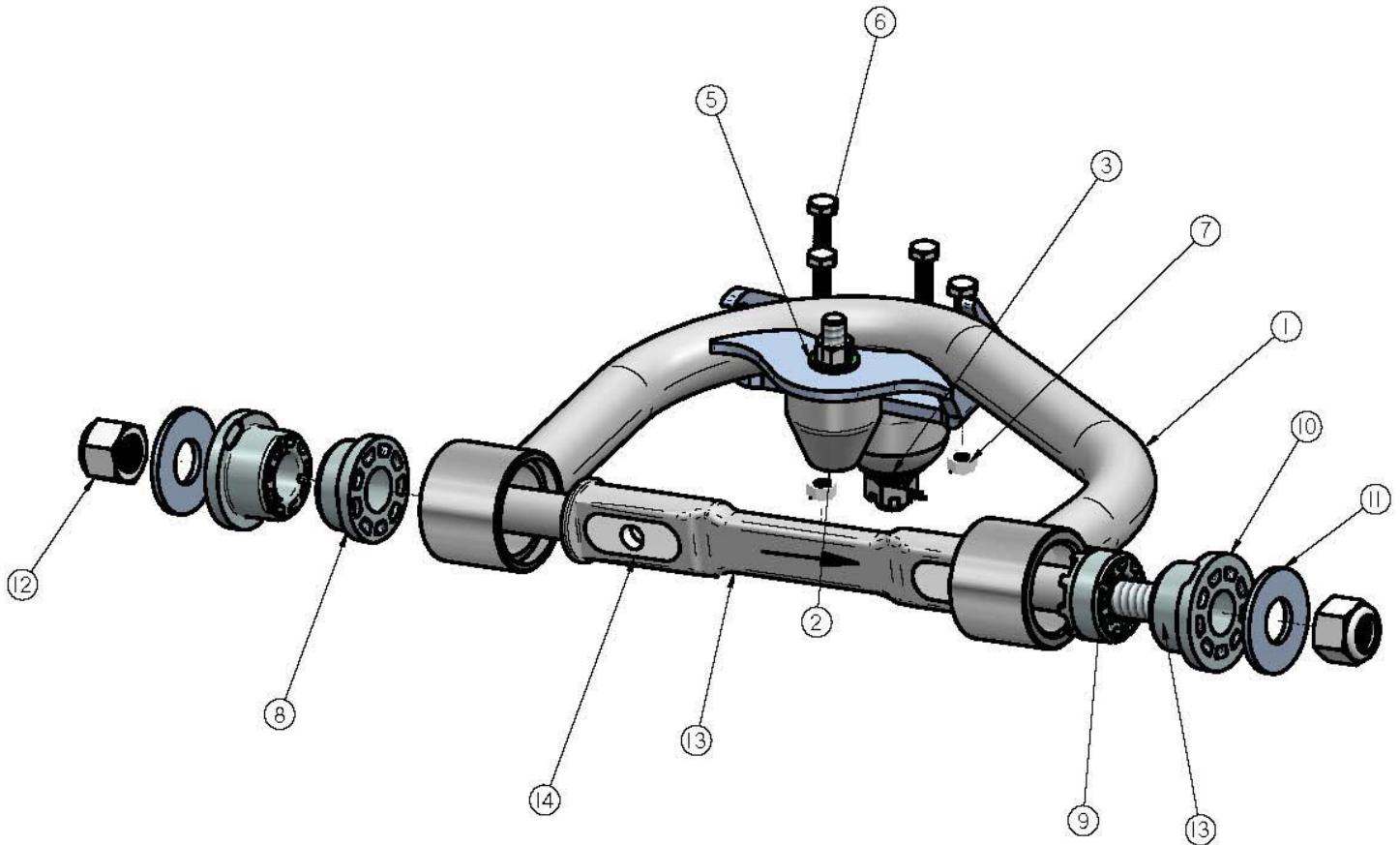
If you are after an aggressive **Track or Autocross Alignment**, bolt the control arm to the frame bracket with the arm offset to the inside of the car (like the top illustration). The Ridetech Icon will be facing the engine.

If a **Street Alignment** is desired, bolt the control to the frame bracket with the arm offset to the outside of the car (like the bottom illustration). The Ridetech Icon will be facing the wheel.

STRONG ARMS™

by Air Ride Technologies

Item #	Description	Qty.
1.	Passenger side arm	1
1.	Driver side arm (Shown)	1
2.	Extension stop	2
3.	Ball joint	2
5.	3/8"-16 Nylok nut & washer	2
6.	1/4"-28 x 7/8" hex bolt	8
7.	1/4"-28 nut	8
8.	Inner Delrin bushing w/ledge	2
9.	Inner Delrin bushing no ledge	2
10.	Outer Delrin bushing	4
11.	Stainless washer	4
12.	5/8"-18 lock nut	4
13.	Caster Adjustable Cross shaft	2
14.	Caster Slug	4





350 S. St. Charles St. Jasper, In. 47546

Ph. 812.482.2932 Fax 812.634.6632

www.ridetech.com

11009300 GM "A" & "F" Body Tall Spindles

2 Tall Spindles

Hardware:

Lower steering arm bolts

(4) 1/2NFX 2 1/2" flathead socket head bolts with Nyloc nuts

Lower caliper bracket bolts

(2) 1/2NFX 2" flathead socket head bolts with Nyloc nuts (Wilwood and Baer Brake kits)

(2) 1/2NFX 2" Grade 8 hex head bolts (use with stock stamped 1/2" thick caliper brackets)

INSTRUCTIONS FOR Ridetech Tall SPINDLES

These spindles will fit '67-69 Camaro, '64-'72 Chevelle, and '68-'74 Nova. They will provide a 2" drop, and are taller than stock to improve the car's cornering ability. The raised upper ball joint will cause the tires to lean into the corner, like a motorcycle, rather than outboard as the shorter stock spindles do. This camber action change also raises the roll center for less body roll, and transfer the car's center of gravity inboard in the turn as well. You will see an appreciable improvement in handling. Standard size anti sway bars will work well with those improvements, without the need for monster sway bars that can cause a harsh ride.

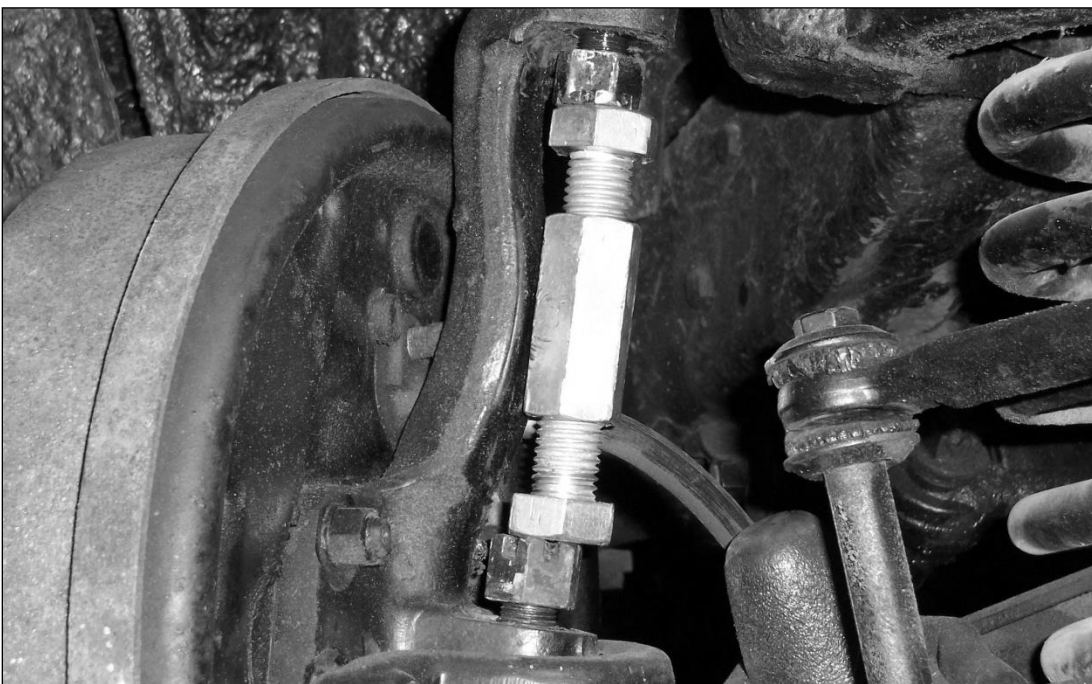
The spindles are modeled after stock disc brake spindles and will accept any disc brake set up designed for those. If your car came with drum brakes, be sure to swap to the appropriate disc brake master cylinder and valving. We have test fitted ECI, Wilwood, Baer, Aerospace, and stock GM kits. The only modification we discovered to be necessary was a small trim on the bottom of the stamped 1/4" steel caliper bracket that holds the caliper. It is an area that is not stressed and will not cause any loss of strength. There are variations among the various reproduction the shaft to be flipped in it's bushings for brackets, so the trim will be seen only on some of those.

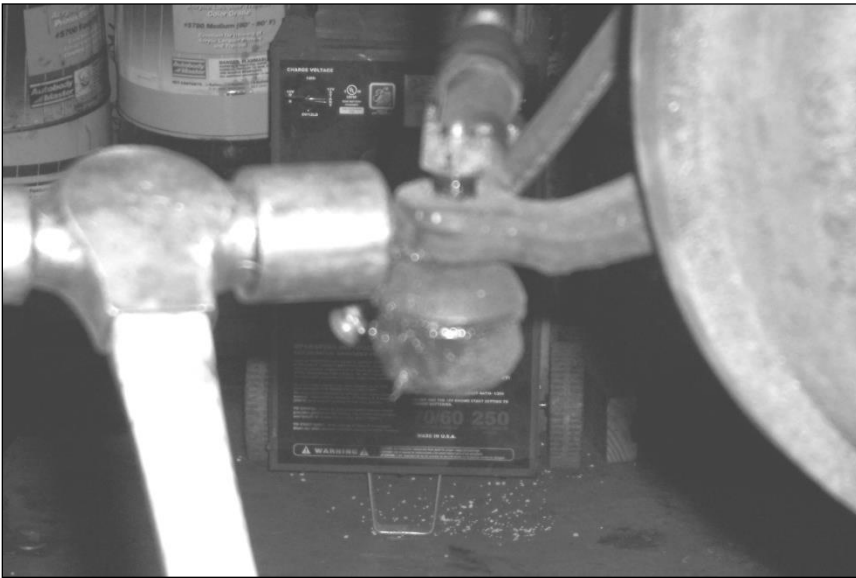
Stock stamped control arms will accept these spindles, as will any aftermarket arms we have seen. Our own tubular control arms have the upper ball joint plates rotated slightly for better ball joint angles on lowered cars. We also set the ball joint 3/4" to the rear of the car to allow more aggressive positive caster settings, as well as to compensate for the normal forward rake seen on hot rods. The upper control arms shaft has a 3/16" offset, allowing the shaft to be rotated in it's bushings for a 3/8" net change in the upper arm's effective length. That design was pioneered by the MOOG company, as many stock autos suffer from a sagged cross member, making it difficult to obtain good alignment numbers. We suggest the alignment be done with 1/8" toe in, 1/2 degree negative camber, and at least 3 degrees positive caster with power steering, 2 degrees manual.

It is important to be sure you have the proper steering arms. Many cars were updated to disc brakes in the past by using disc brake and spindle assemblies from a donor car. However, the Chevelle steering arms are front steer, and the tie rod is roughly the same height as the lower ball joint. The Camaro and Nova arms are rear steer, with the outer tie rod end much lower than the ball joint. If the incorrect arms are used, the incorrect height tie rod end will cause major bump steer problems. Our testing of prototype versions of these spindles revealed that a small additional lowering of the mounting holes for the steering arms was necessary to remove the small amount of factory bumpsteer, and to account for the changes made by the taller spindle. We included that enhancement in the production version of your new dropped spindles.



Disassembly of the ball joints from the spindles can be eased by making the simple tool shown in the photo below. A pair of 1 ½" long bolts are threaded into a matching hex coupler. The ball joint cotter pins are removed, and the hex nuts loosened a couple turns. Place the tool between the ball joint studs, and turn a bolt to expand the tool, gently popping the ball joint studs loose. If your ball joint boots are torn, as often happens when a pickle fork is used to separate the ball joints, NAPA has replacements. The best way to remove the outer tie rod pivot is to loosen the hex nut, and then rap the steering arm boss with a hammer. Tie rod ends pullers are also available if you want to be more gentle on the parts. Do NOT hammer on the tie rod stud itself! Be sure to leave the shock absorber in place to control the spring and prevent it jumping out.





If you remove the calipers but leave the hoses attached, supporting them to avoid stressing the hoses, you won't even need to rebleed the brakes!

Reattach the new spindle, being sure to get the castle nuts tight, and install new cotter pins. Attach the steering arms into the lower holes in the spindles using the 4 supplied 1/2NFx2 1/2" long flathead bolts and Nylok nuts supplied. The 1/2NFx 2" long flat head bolts and nylok nuts we supply are for use with Wilwood and Baer brake kit lower bracket bolts. The 1/2NFx2" hex head bolts are used with stock caliper brackets. Reassemble your disc brakes as well. Now would be a good time to clean and grease the bearings.

BEFORE you try moving the car, pump the brakes to reset the pads to the rotors. Rebleed if necessary. Have the alignment shop set the car with 1/2 degree negative camber, 3-5 degrees positive caster, and 1/16"-1/8" toe in. We're sure you'll be amazed at the difference in handling!



Note: If using a factory style stamped caliper bracket, the bracket may need to be trimmed. The dust shield may also need to be modified.



350 S. St. Charles St. Jasper, In. 47546
Ph. 812.482.2932 Fax 812.634.6632

www.ridetech.com

Part # 11169100
**67-69 GM "F" Body & 68-74 GM "X" Body Front MuscleBar
w/ PosiLinks**

Components:

1	90000116	Sway bar	
1	90000121	Driver side arm	
1	90000122	Passenger side arm	
2	90000137	Frame bracket	
2	90001099	Polyurethane frame bushing	
2	90000924	10mm straight PosiLink	
2	90000926	10mm 90 degree PosiLink	
4	90000717	T-bushings	
2	99250001	Grease Zerk fittings – ¼"-20	
2	90001092	Tube of lithium grease	
2	99115001	10 x 1.5 x 36mm stud	In PosiLinks (use Loc-tite)

Hardware Kit: 99010044

4	99112002	10mm Nylok nut	PosiLinks
2	99373003	3/8" SAE flat washer	PosiLinks
4	99311009	5/16" x 1" USS SHCS	Frame bracket
4	99312003	5/16" USS Nylok nut	Frame bracket
8	99313002	5/16" SAE flat washer	Frame bracket
6	99371021	3/8"-16 x 1" FHSCS	Arm to sway bar (Use Loc-tite)
2	99502003	½" SAE Nylok jam nut	Steering arm

MUSCLEbar[™]

by Air Ride Technologies

POSI•Link[™]

11169100 Installation Instructions

1. This sway bar is designed for use with our lower StrongArms. Installation on other arms may require modification.
2. Remove the end links from the factory sway bar. Then remove the bolts attaching the sway bar to the frame.
3. On some cars, the compression stop bracket that is welded to the frame will need to be removed to allow clearance for the sway bar arm.



3. On some cars, the compression stop bracket that is welded to the frame will need to be removed to allow clearance for the sway bar arm.



4. Apply lithium grease to the poly bushing then slide it over the sway bar.



5. Secure the sway bar to the frame with two 5/16" x 1" Socket Head Cap Screws, flat washers and Nylok nuts.

Note: Due to the larger diameter bar, the front hole must be drilled with a 5/16 bit, in front of the factory hole. Use the bracket as a template.

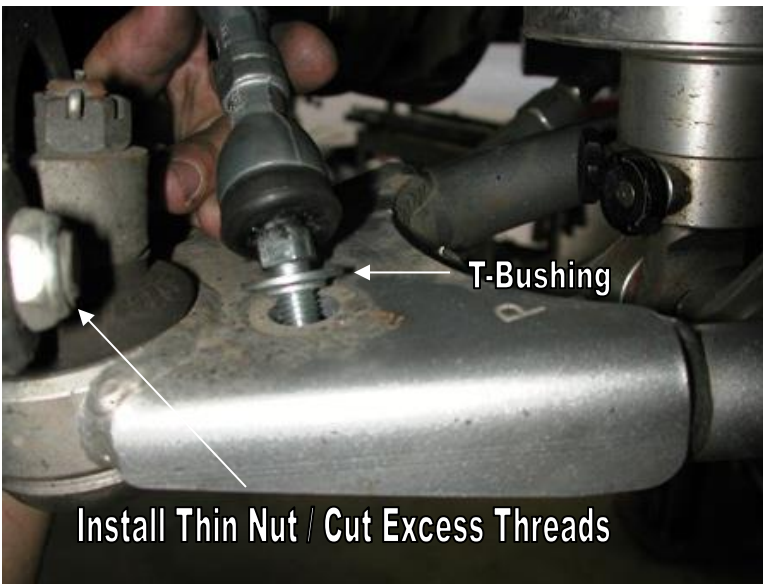


6. On some cars clearance of the cross member may be needed for sway bar clearance.



7. Attach the arm to the bar using three 3/8" x 1" Flat Head Cap Screws. **Blue or Green Loc-tite must be applied to the threads of these bolts.**

Note: With the Arms installed, the lower portion of the MuscleBar should be towards the ground. If it is pointing toward the front of the car, remove the bar a flip it end for end and reinstall the bar and arms.



8. The straight end of the PosiLink will attach to the lower control arm. **A "T"-Bushing must be installed on each side of the control arm.** Secure the assembly with a 10mm Nylok nut.

Note: To avoid the front steering arm bolt hitting the PosiLink, a thin Nylok jam nut is installed and the excess threads must be cut off.

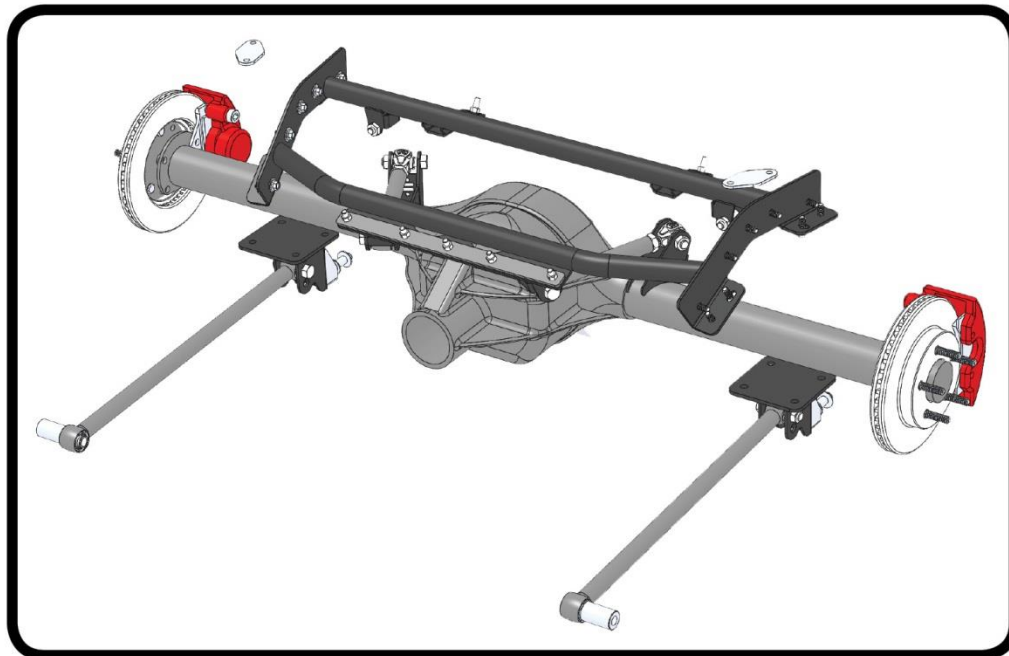


9. Attach the other end of the PosiLink to the sway bar arm with a 3/8" flat washer and a 10mm Nylok nut.

10. Check sway bar and PosiLink clearance through full suspension travel, turning the wheel lock to lock. Make sure that the PosiLinks do not bind.



Part # 11167199 -1967-1969 GM "F" Body Rear R-Joint Bolt-in 4 Link



Recommended Tools



1967-1969 GM "F" Body Rear Bolt-in 4Link Installation Instructions

Table of contents

- Page 2-3..... Included Components
- Page 4..... Hardware List
- Page 5..... Getting Started
- Page 6-7..... Cradle Installation
- Page 8..... Lower Axle Mount & Lower Bar Installation
- Page 9..... Lower Shock Mount
- Page 10..... Attaching Lower Bar
- Page 11..... Setting Pinion Angle
- Page 12..... Upper Bar Axle Tab Installation
- Page 13..... Installing Axle Tabs
- Page 14..... Installing ShockWaves/CoilOvers



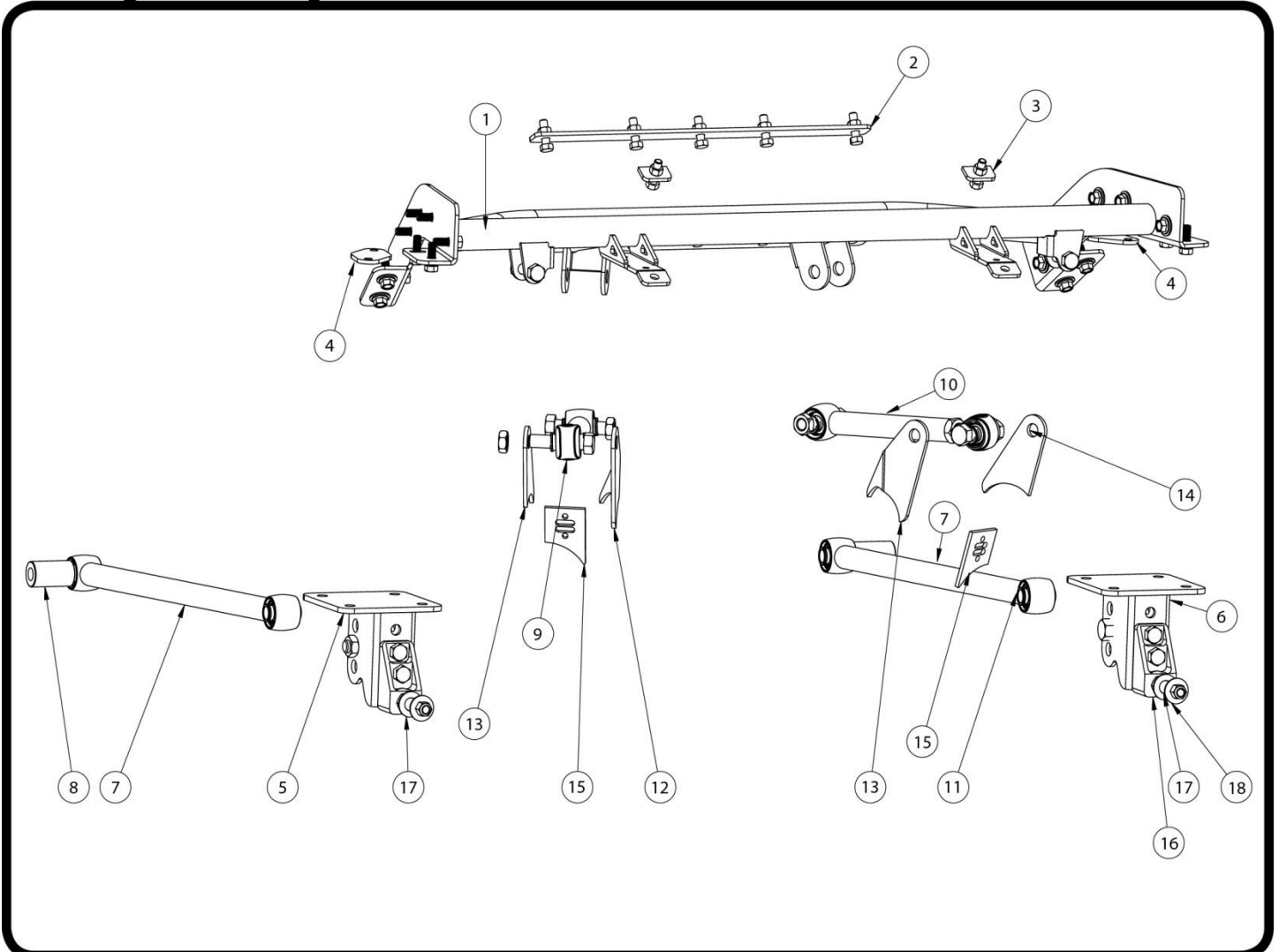


Major ComponentsIn the box

Item #	Part #	Description	QTY
1	90002722	Upper Cradle	1
2	90002723	Forward Tab Inner Brace	1
3	90001844	Trunk Reinforcement	2
4	90000523	Shock Block Off Plate	2
5	90002077	Lower Axle Mount - Driver	1
6	90002078	Lower Axle Mount - Passenger	1
7	90002819	Lower Bar Assembly - Driver - 25 1/16" center to center	2
8	70013537	Front R-Joint Spacer	2
9	70013364	RH R-Joint Threaded Housing End (installed in bars)	2
10	90002818	Upper Bar - 10.150" center to center	2
11	70013334	R-Joint Spacers	14
12	70013049	Inner Upper Bar Tab - Driver	1
13	70013050	Inner Upper Bar Tab - Passenger	1
14	70013051	Outer Upper Bar Tab	2
15	70013052	Axle Tab Rear Brace	2
16	90001624	Aluminum Lower Shock Mount	2
17	90001617	Lower Shock Stud	2
18	90002067	Lower Shock Spacers	4
	99752004	RH 3/4"-16 Jam Nut (installed on bar ends)	2
	70010694	Bar Tab Setting Jig (NOT SHOWN)	2
	99371050	3/8"-16 x 1 1/2" Conical Body Bolt (NOT SHOWN)	6
	99372009	3/8"-16 U-Nut (NOT SHOWN)	6
R-Joint Components - (Installed in bar ends)			
	70013279	Retaining Ring	8
	70013280	Wavo Wave Spring	8
	70013275	R-Joint Center Ball	8
	70013276	R-Joint Composite Center Ball Cage	8



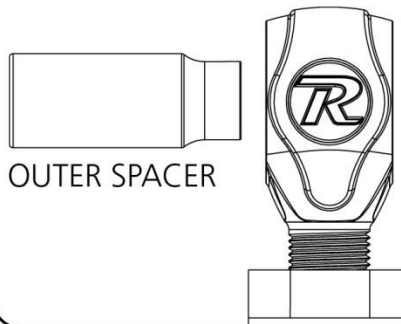
Major ComponentsIn the box



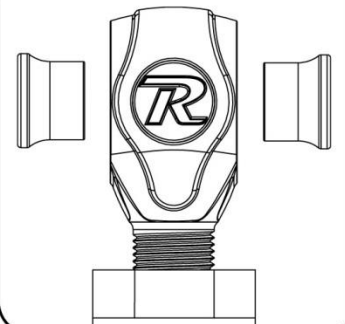
R-JOINT SPACER INSTALLATION

Install the Spacers by inserting the SMALL side of the SPACER into the Center Pivot Ball. Push them in until they bottom out and stop.

LOWER FRONT R-JOINT



ALL OTHER R-JOINTS





Hardware ListIn the box (Kit# 99010017)

The Hardware Kit contains bags to help aid in selecting the correct hardware for the component being installed. The hardware list shows how the hardware is bagged.

QTY	Part Number	Description	
4 LINK BARS			
6	99621020	5/8"-18 x 2 3/4" Gr. 8 Bolt	4-Link Bars to Mounts
6	99622008	5/8"-18 Nylok Jam Nut	4-Link Bars to Mounts
CRADLE - FRONT TAB & SWAY BAR MOUNT			
7	99371004	3/8"-16 x 1 1/4" Hex Bolt	Sway Bar Backer, Front Cradle Backer
7	99372002	3/8"-16" Nylok Nut	Sway Bar Backer, Front Cradle Backer
12	99373003	3/8" SAE Flat washer	Sway Bar Backer, Front Cradle Backer
CRADLE MOUNTING			
18	99373003	3/8" SAE Flat washer	Cradle to Car
18	99373007	3/8"-16 Thread Forming Bolts	Cradle to Car
LOWER SHOCK MOUNT & SHOCK MOUNTING			
2	99501026	1/2"-13 x 2 1/4" Hex Bolt	Shock to Cradle
2	99502007	1/2"-13 Thin Nylok Jam Nut	Shock to Cradle
2	99501019	1/2"-13 x 1 1/4" Hex Bolt	Shock Mount to Axle Mount
2	99501046	1/2"-13 x 1 3/4" Hex Bolt	Shock Mount to Axle Mount
4	99502001	1/2"-13 Nylok Nut	Shock Mount to Axle Mount
LOWER BAR MOUNT TO AXLE			
8	99432007	7/16"-20 Nylok Nut	Lower Axle Mount to Axle
LOWER BAR - FRONT MOUNTING			
2	99621007	5/8"-18 x 5" Hex Bolt	Lower 4-Link Bar to OEM Mount
2	99622006	5/8"-18 Nylok Jam Nut	Lower 4-Link Bar to OEM Mount
4	99623010	5/8" Flat Washer	Lower 4-Link Bar to OEM Mount
UPPER 4 LINK TAB SETTING JIG			
2	99371001	3/8"-16 x 3/4" Hex Bolt	Bar Setting Jig
2	99372004	3/8"-16 Hex Nut	Bar Setting Jig

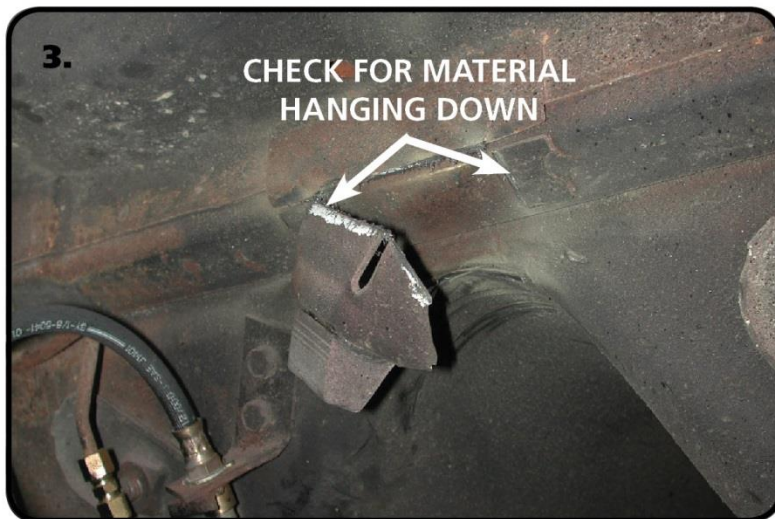


Getting Started.....

Congratulations on your purchase of the Ridetech Rear 4-link System. This system has been designed to give your Camaro excellent handling along with a lifetime of enjoyment. This kit replaces the Leaf Springs, this allows the 4-Link to locate the rearend and the CoilOvers/ShockWaves to support the car. This allows each to be optimized for the best performance.

Note: This system is designed for use with the Ridetech Shockwaves or CoilOvers and the MuscleBar swaybar. **The factory shocks and springs will not fit this setup.**

1. Raise the vehicle to a safe and comfortable working height. Use jack stands to support the vehicle with the suspension hanging freely. You will need a method of raising and lowering the differential.
2. Support the axle and remove the leaf springs, shocks, and tail pipes. Refer to the factory service manual for proper disassembly procedures. Retain the front leaf spring mounts, they will be used with the 4 link. You may need to detach the fuel line from the frame rails. The back seat of the car will also need removed for installation of the 4 link cradle.



3. Remove the Factory Pinion Snubber and Mount from the car, this is necessary for clearance of the Upper Cradle. We use a cut off wheel to remove the mount. Make sure the area where the ARROW is pointing has no material sticking down. The tabs that are against the body can remain. Check both sides where the snubber mount attached to the body.



4. **Steps 4-8 cover mounting the Cradle into the car, review all steps.** Install the cradle into the car. When the Cradle is positioned properly, the Front Bar should be up against the body, the Front Tab will be up against the bottom side of the seam, and the sway bar mount tabs should be up against the bottom of the trunk pan. The Cradle mounting holes at the Frame will use 3/8" - 16 x 1" Thread Forming Bolts. Use a 5/16" Drill Bit to drill the holes using the Cradle as a template.

Note: The OEM fuel line will need to be detached from the frame rails until the Cradle is installed.



Cradle Installation



5. Image 5 shows how the Front Tab overlaps the body seam. Multiple pieces of the car body overlap at this joint making it a strong area to attach to. Drill these 5 holes with a 3/8" drill bit using the cradle as a template.



6. The kit includes a Backing Plate for the Front Tab. This Backing Plate is installed in the inside of the car. The rear seat will need removed for installation. Lay the Backing Plate on the seam, lining up the 5 holes drilled in the previous step. Install a 3/8" Flat Washer on each of (5) 3/8"-16 x 1 1/4" Hex Bolts. **Insert a Bolt/Washer in each of the holes from the BOTTOM with the threads pointing up.** Install a 3/8" Flat Washer followed by a 3/8"-16 Nylok Nut on threads of each of the Bolts sticking through the Backing Plate.



7. Drill a 3/8" Hole through the each of the Sway Bar Mount Tabs. These holes will go into the trunk so make sure nothing is in the trunk floor. If there is a mat, remove it before drilling the holes.



Cradle Installation



8. **Image 5** shows the Trunk Backing Plates installed in the trunk. Locate the Backing Plates in the trunk lining up the center hole with the hole drilled in the floor. Install a 3/8" Flat Washer on each of (2) 3/8"-16 x 1 1/4" Hex Bolts. Insert the Bolt/Washer through the Backing Plate, through the trunk floor and Sway Bar Tab with **the Threads on the Bolt pointing DOWN**. Install a 3/8" Flat Washer followed by a 3/8" -16 Nylok Nut on the threads of the bolts sticking through the Sway Bar Tab.



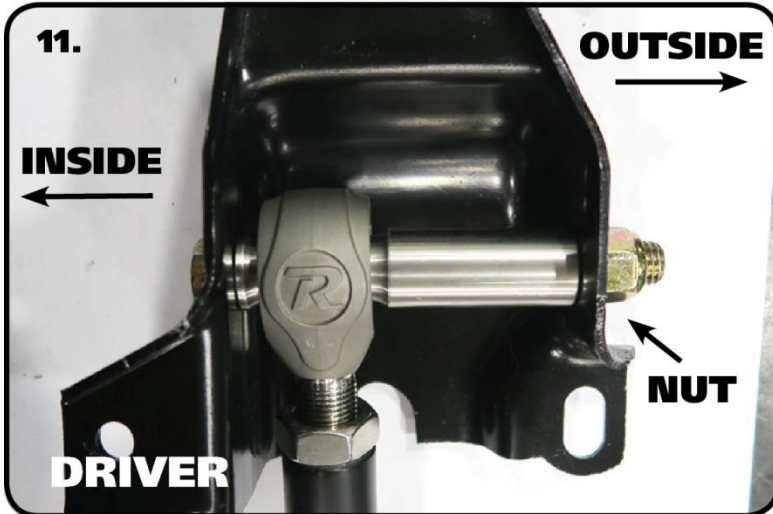
9. Drill the frame mounting holes with a 5/16" drill bit. Install a 3/8" Flat Washer on each of the 3/8"-16 x 1" Thread Form Bolts supplied in the kit. Thread them into the drilled 5/16" holes. **DO NOT** overtighten these bolts.



10. Tighten the Mounting Hardware on the Cradle before moving to the next step.



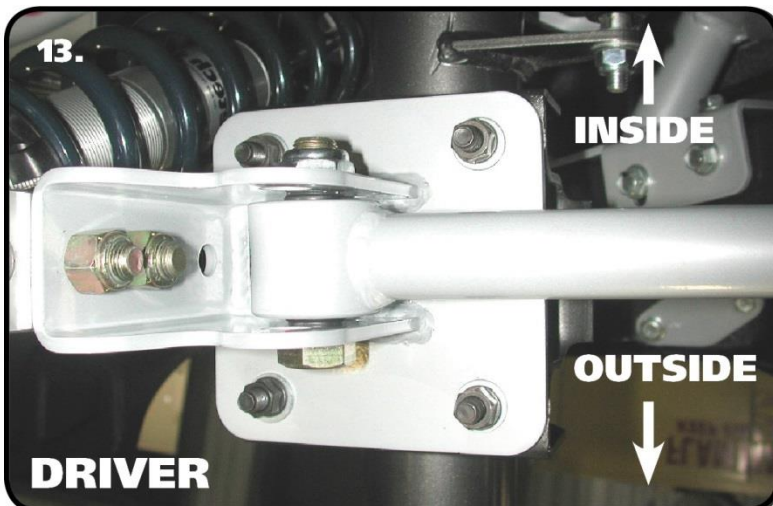
Lower Bar & Axle Mount



11. The heim end bar setup is designed to be offset to the inside of the car. The bolt hole in the mounting bracket has to be drilled out to 5/8" and the new 5/8" x 5" bolt, washers, & 5/8" Thin Nlok Nut are used. The wider spacer is used on the outside with a narrow spacer on the inside. This will offset the bar to the inside of the car for better wheel and tire clearance. The bolt needs to go in the bracket like seen in the picture. The Threads of the Bolt must be pointing to the OUTSIDE of the car. Shown in **Image 11** is the Driver Side Bar and Mount. Repeat on both sides and tighten the Bolts/Nuts enough to eliminate any gaps.



12. Attach the Lower Bar/Mount Assembly to the car. New 3/18"-16 U-Nuts and 3/8-16" x 1 1/2" Conical Body Bolts are supplied in the kit. Install the U-Nuts in place of the OEM u-nuts. Hold the Assembly in place lining up the holes with the U-nuts. There is a Tab bent up on the Mount that indexes into a hole in the body. Make sure the tab is indexed into the alignment hole.

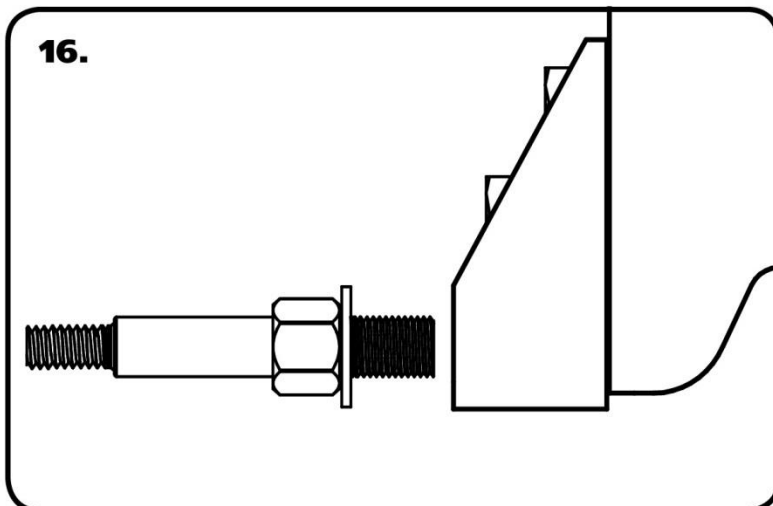
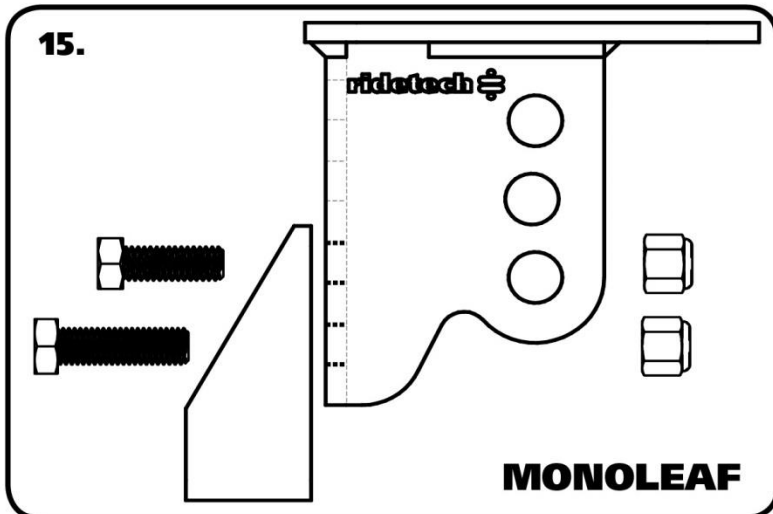
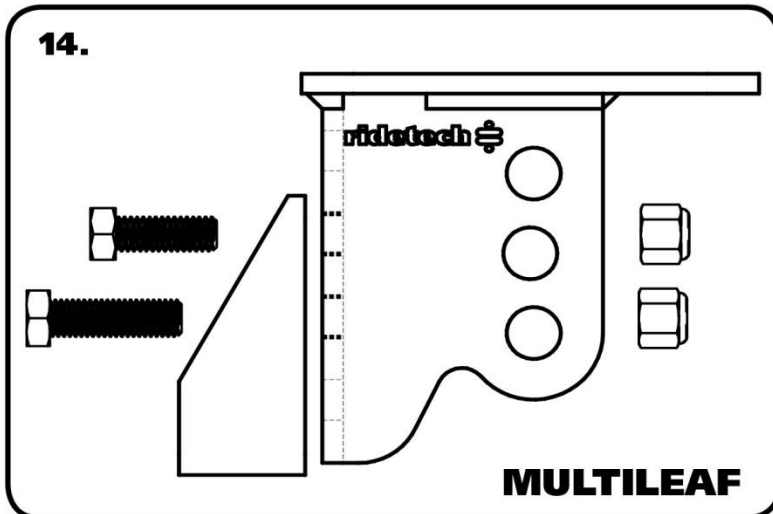


13. The lower axle bracket will be fastened to the leaf spring pad using the factory T-bolts/U-bolts. The bar mount is offset to the inside of the car to provide more wheel and tire clearance. New 7/16" nyloks are supplied. Torque the nuts to 55 ftlbs.

Image 13 shows the Driver side.



Lower Shock Mount



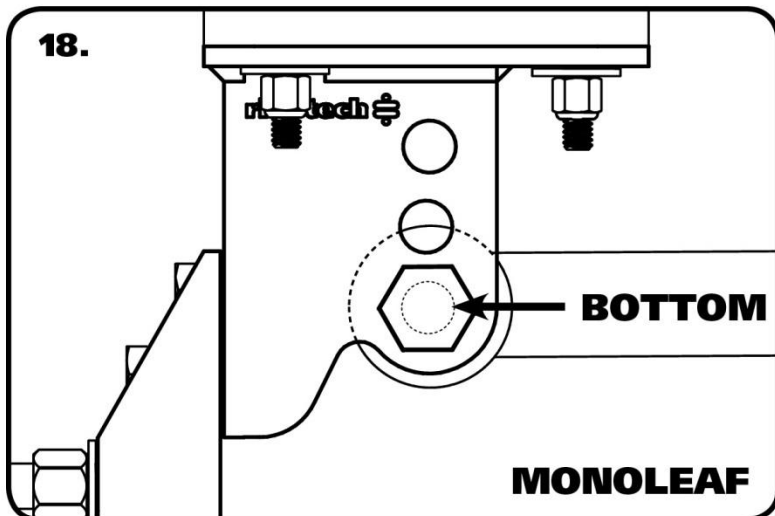
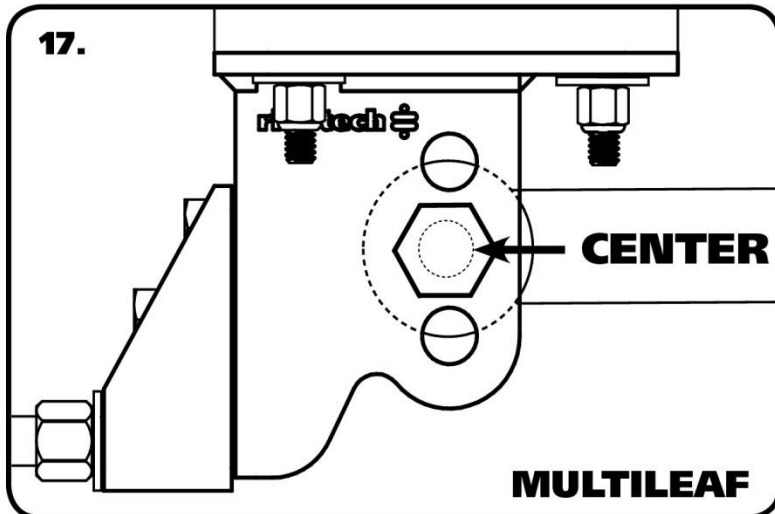
14. Images 14 & 15 illustrate the Lower Shock Mount mounting. Image 14 shows the Multileaf, Image 15 covers the Monoleaf. The leaf spring mount on each of the rear differentials are different heights requiring the Lower Shock Mount be attached in different locations depending on the leaf spring mount. The Lower Mount attaches with (1) 1/2"-13 x 1 1/4" Hex Bolt, (1) 1/3"-13 x 1 3/4" Hex Bolt, & (2) 1/2"-13 Nylok Nut. **MULTILEAF** - The Multileaf setup uses the **MIDDLE 2 HOLES** for mounting. Insert the Bolts through the Aluminum Shock Mount with the 1 1/4" long bolt in the top bolt, 1 3/4" in the bottom hole. Insert the bolts through the Axle Mount and install the Nylok Nuts on the Threads sticking through. Repeat on both sides and torque the Bolts/Nuts to 75 ftlbs. Skip to step 16.

15. MONOLEAF - The Monoleaf setup uses the **BOTTOM 2 HOLES** for mounting. Insert the Bolts through the Aluminum Shock Mount with the 1 1/4" long bolt in the top bolt, 1 3/4" in the bottom hole. Insert the bolts through the Axle Mount and install the Nylok Nuts on the Threads sticking through. Repeat on both sides and torque the Bolts/Nuts to 75 ftlbs. Skip to step 16.

16. Installing the Shock Stud into the Lower Mount. Install a 5/8" Flat Washer onto the 5/8"-18 threads of the shock stud. Apply Red Loctite to the 5/8" threads of the stud. Thread the Shock Stud into the threaded hole of the Lower Mount. Repeat on both sides and torque the Shock Stud to 65-75 ftlbs.



Attaching Lower Bar



17. Images 17-19 illustrate attaching the Lower Bar to the Axle Mount. Image 17 shows the Multileaf, Image 18 covers the Monoleaf, Image 19 shows a bottom view. The different heights of the leaf spring pads of the differentials require the lower bars to be mounted in the correct hole to optimize the geometry of the 4 link bars. A 70013334 Spacer will need to be installed on each side of the R-Joint with the SMALL OD inserted into the R-joint Center Ball. Use **Image 19** as a reference. The Lower Bar attaches with (1) 5/8"-11 x 2 3/4" Hex Bolt, (1) 5/8"-11 Nylok Jam Nut. **MULTILEAF** - The Multileaf setup uses the MIDDLE HOLES for mounting. Insert the Bar into the Lower Mount lining the Bushing Sleeve up with the CENTER set of holes. Insert a 5/8"-11 x 2 3/4" Bolt into the Hole/Sleeve. Install a 5/8"-11 Nylok Jam Nut on the Bolt threads sticking out of the bracket. Repeat on both sides and tighten the Bolts/ Nuts enough to eliminate any gaps. Skip to step 19.

18. MONOLEAF - The Monoleaf setup uses the BOTTOM HOLES for mounting. Insert the Bar into the Lower Mount lining the Bushing Sleeve up with the BOTTOM set of holes. Insert a 5/8"-11 x 2 3/4" Bolt into the Hole/Sleeve. Install a 5/8"-11 Nylok Jam Nut on the Bolt threads sticking out of the bracket. Repeat on both sides and tighten the Bolts/Nuts enough to eliminate any gaps.

19. Image 19 shows a Bottom View of the Bar installed. Notice the Spacers in each side of the R-Joint.



Setting Pinion Angle

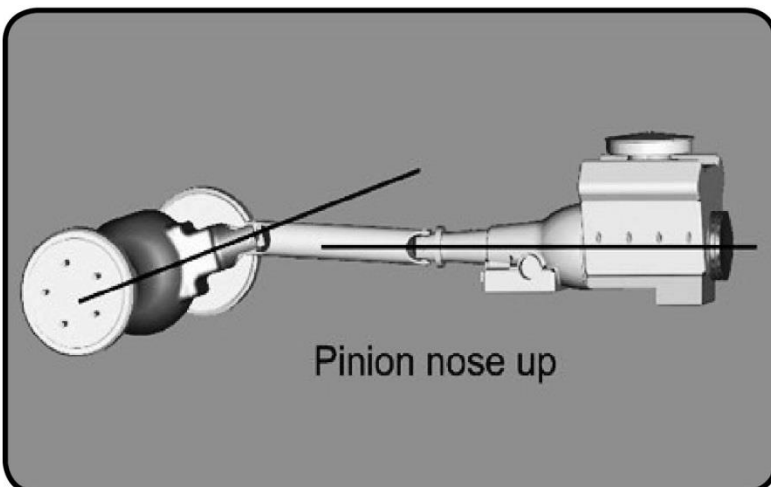
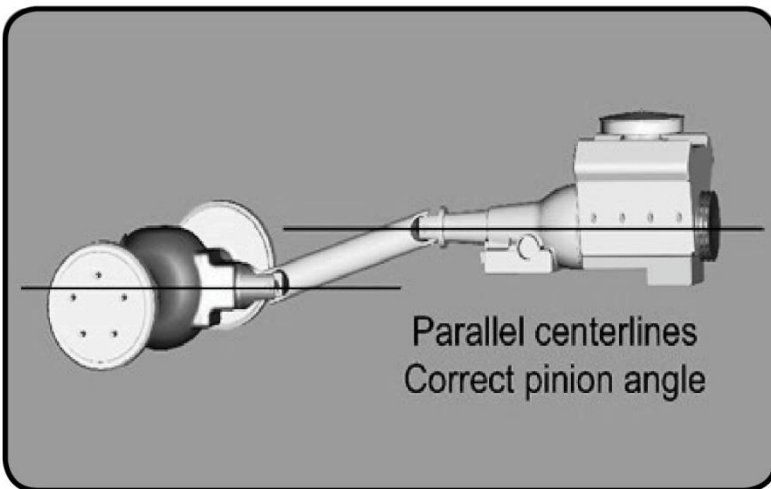
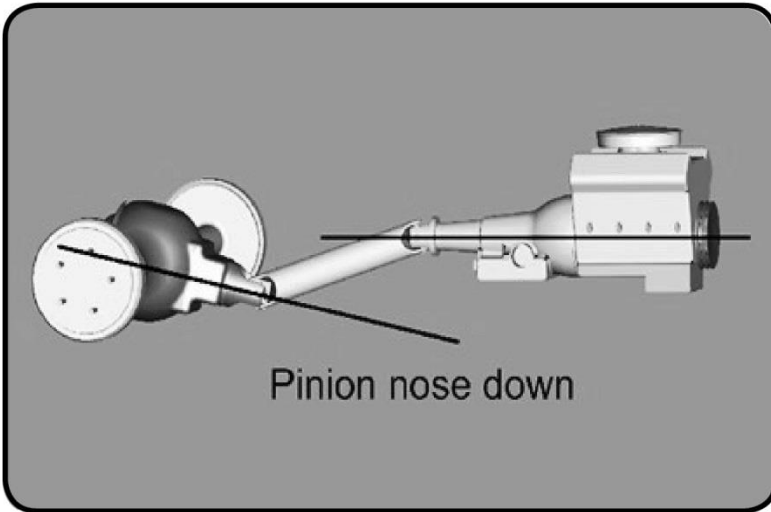
READ PAGES 11-13 ON SETTING PINION ANGLES, UPPER BARTAB JIG INSTALLATION, & SETTING RIDE HEIGHT.

How do you set the pinion angle? On a single-piece shaft you want to set it up where a line drawn through the center of the engine crankshaft or output shaft of the transmission and a line drawn through the center of the pinion are parallel to each other but not the same line.

Your transmission angle should be around 3 degrees down in the rear. If it is more or less than 3 degrees, you might want to consider changing it. Too little angle on the transmission reduces the amount of oil getting to the rear bushing. Too much transmission angle will increase the working angles of the u-joints which will increase the wear. With the transmission at 3 degrees down in the rear, you will want to set the pinion 3 degrees up in the front.

A simple way to do this is to place a digital angle finder or dial level on the front face of the lower engine pulley or harmonic balancer. This will give you a reading that is 90 degrees to the crank or output shaft unless you have real problems with your balancer. At the other end, you can place the same level or angle finder against the front face of the pinion yoke that is also at 90 degrees to the centerline. If you rotate the yoke up or down so both angles match, you have perfect alignment.

Road testing will tell you if you have it right. If you accelerate and you get or increase a vibration, then the pinion yoke is too HIGH. Rotate it downward in small increments of a degree or two until the problem goes away. If you get or increase a vibration when decelerating, then the pinion yoke is too LOW. Rotate it upward to correct it.

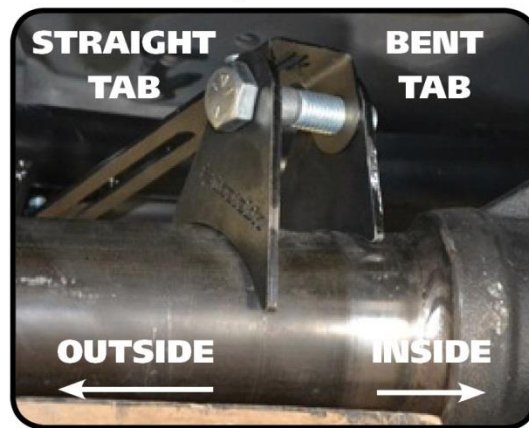
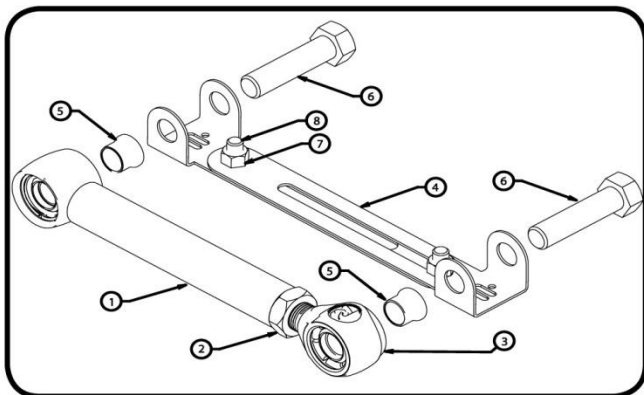




Upper Bar Tab Installation Jig

Upper Bar Installation Jig

- This jig has been supplied to aid in the installation of the upper 4 link bar. It can be temporarily used to properly align, locate and weld the tabs onto the axle. It will also ensure that the mounting bolts are parallel to the ground.
- Follow the diagram below to set the jig to the same length as the upper bar, use the 3/8" x 3/4" bolt and nuts to set the length.
- Position the axle at ride height. Center the axle left to right between the quarter panels. Set pinion angle.
- Bolt one end of the jig to the cradle using a 5/8" x 2 3/4" bolt.
- Using another 5/8" x 2 3/4" bolt, fasten the axle tabs to the other end. There is a Driver and Passenger Inner Tab. It is bent to keep the tab from hitting the center section of the rear end. It is positioned with the tab bent to the front of the car. The short tab goes to the outside of the car. The tabs must be bolted to the outside of the jig.
- Swing the bar down letting the tabs rest onto the axle. Trim the brackets as necessary to minimize the gap to be welded.
- Check pinion angle, ride height and axle center. Tack-weld the tabs in place and tack-weld the back brace in place. Refer to Images 21 & 22 for position of the back brace.
- Remove jig and install upper bar.
- Repeat this process for the other side.
- Recheck pinion angle, ride height and axle center. (Sound familiar?)
- After the tabs have been tack welded on both sides, remove the upper bars to avoid damaging the rod end. Let the axle drop down for better access to the tabs. Lay 1" welds on the inside and outside of the tabs. Skip around from one side to the other to avoid overheating the tube.



Item#	Description
1	Upper Bar
2	3/4" -16 Jam Nut
3	Heim End
4	Alignment Jig
5	Aluminum Spacer
6	5/8" x 2 3/4" Bolt
7	3/8" -16 Nut
8	3/8" -16 x 3/4" Bolt



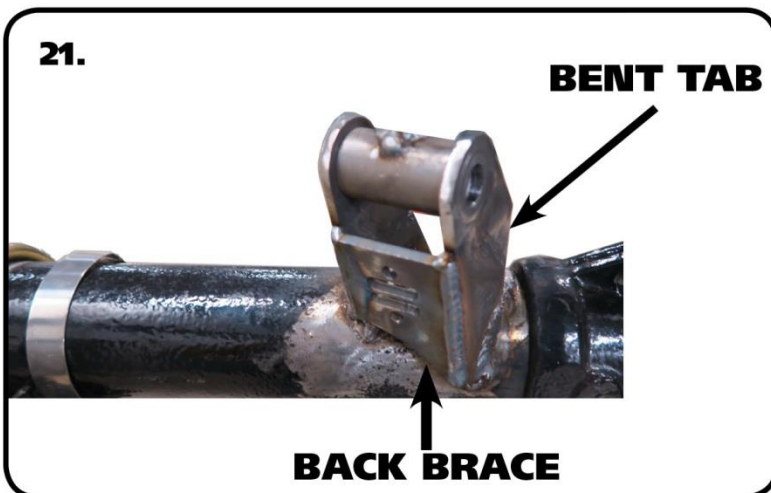


Installing Axle Tabs

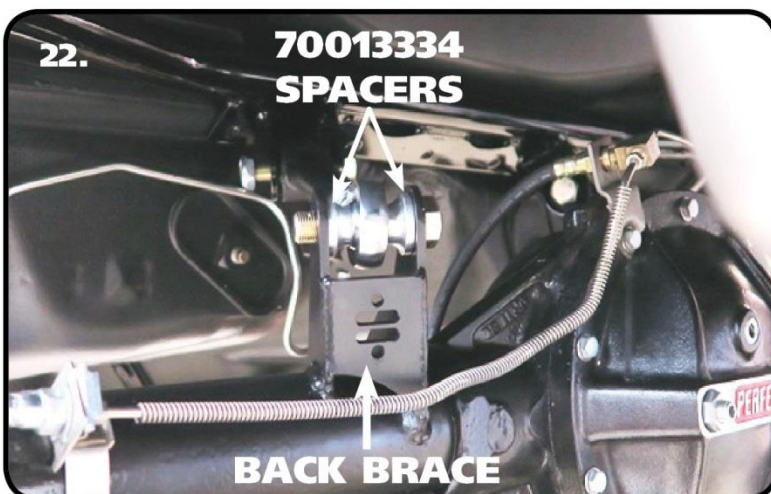


20. One helpful trick to help maintain ride height and pinion angle while adjusting is to tack weld a spacer between the axle and the outside of the frame as shown in the picture. This spacer should be 8 1/2" tall giving the Shockwave an eye-to-eye measurement of approximately 14 1/2". When measuring the axle center you can measure off of the frame rails. We also use a plum bob off the quarter panels to double check the axle center. Refer to Page 11 on Setting the Pinion Angle.

Note: You can tack weld the spacer in place after you get the Pinion Angle, and Axle Center set. This will ensure that nothing moves through the Upper Tab Installation.



21. Check the length of the upper bar; it should be 10.150" Center to Center. Bolt the axle tabs to the setting jig as specified on the previous page. Straight Tab to the outside of the car, Bent Tab to the inside of the car. The bend needs to be to the front, making the front of the tab run parallel with the cast center section. If they are installed on the incorrect sides, the tab will hit the center section of the axle. Next, place the other end into the cradle. Both ends use a 5/8" x 2 3/4" and should not be fully tightened yet. For now just let axle tabs sit on the axle.

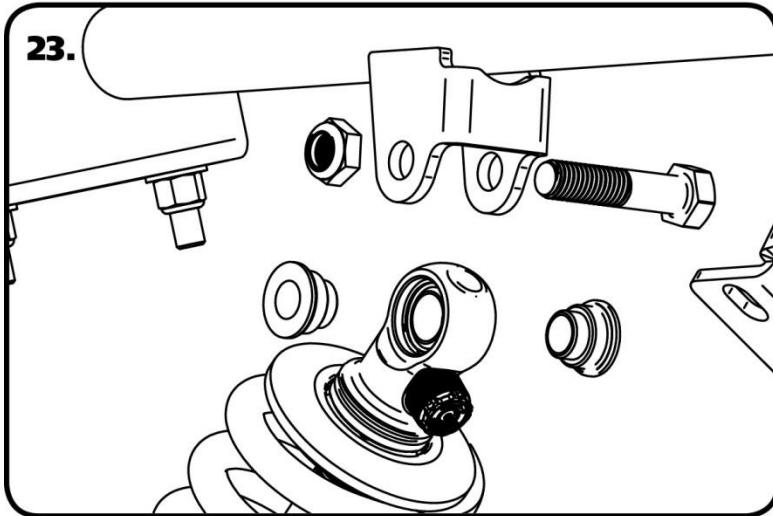


22. Check the fitment of the Tabs and tack weld them to the axle. Do this for the Driver and Passenger side bars. Insert the bars into the Cradle and Tabs to double check fitment. Recheck Axle Center and Pinion Angle. Once satisfied with fitment weld the Upper bar Tabs onto the Axle. Weld 1" at a time, skip around from one side to the other, and one tab to the other to avoid overheating the Axle Tube. When the tabs cool down, install the upper bars using (1) 5/8" x 2 3/4" Bolt, and (1) 5/8" Thin Nylok Nut on each end. Install a 90000552 on each side of the Heims using **Image 22** as a reference. Repeat on both sides and tighten the Bolts/Nuts enough to eliminate any gaps.

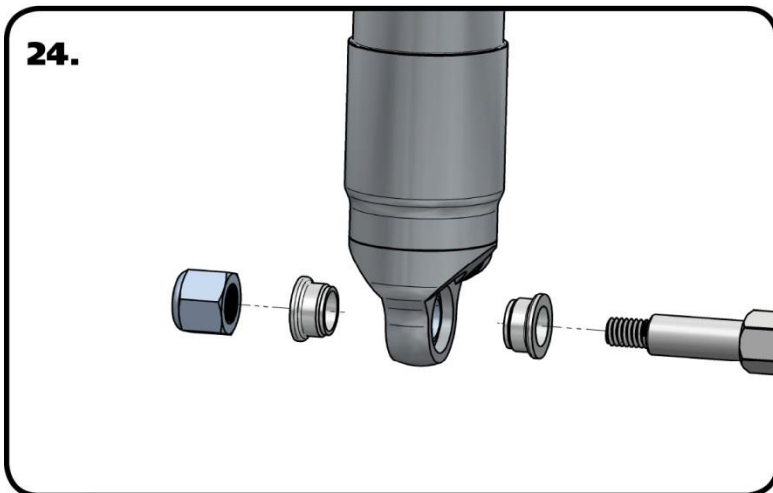


Installing Shockwaves/Coilovers

Remove the Spacer from between the Axle and Frame.



23. Install a 1/2" ID 90002043 spacer on each side of the upper Coilover/ShockWave. Slide the assembly into the upper crossmember from the bottom side. Position the adjuster knob so that the knob points toward the center of the car. Line up the hole in the spacers with the hole in the upper shock bridge and insert 1/2"-13 x 2 1/4" bolt and install 1/2"-13 Thin Nylok nut.



24. Install a 5/8" ID 90002067 spacer (**Small side towards shock body**) onto the lower Shock Stud. Slide the bottom of the Shock onto the Stud. Install a second 5/8" ID 90002067 Spacer onto the Stud (**small side towards shock**). You may need to jack the rearend up to Slide the Shock onto the Stud. Install the 7/16" Flat washer and 7/16" Nylok nut. Tighten the upper and lower shock bolts. Torque the Upper Bolt to 55 ftlbs and the Lower Nut to 40 ftlbs. The designed ride height of the CoilOver/Shockwave is 14 1/2" center to center.

Note: If installing Shockwaves and you want to locate the air fitting in a different location, the air spring assembly can be rotated on the shock by grabbing the air spring assembly by hand and spinning it on the shock.



25. Bolt the Shock Block Off Plates in place of the OEM upper shock mounts using the OEM hardware. If you are running Mini Tubs, these mounts do not exist any more.



350 S. St. Charles St. Jasper, In. 47546
Ph. 812.482.2932 Fax 812.634.6632
www.ridetech.com

Part # 11166510
67-69 GM "F" Body HQ Series Rear CoilOvers
For Use w/ AirBar

Shock Assembly:

2	24159999	5" stroke HQ Series shock
2	90002024	1.7" eyelet – single adjustable
4	90001994	.625" I.D. bearing
8	90001995	bearing snap ring

Components:

2	59120200	Coil spring – 12" long / 200 # rate
2	90002222	Spring retainer kit (included upper and lower spring retainer, screw & clip)
4	90002043	Aluminum bearing spacer - .5" I.D.
4	70010828	Delrin Spring Washer

Ride Height

We have designed most cars to have a ride height of about 2" lower than factory. To achieve the best ride quality & handling, the shock absorber needs to be at 40-60% overall travel when the car is at ride height. This will ensure that the shock will not bottom out or top out over even the largest bumps. Measuring the shock can be difficult, especially on some front suspensions. Measuring overall wheel travel is just as effective and can be much easier. Most cars will have 4-6" of overall wheel travel. One easy way to determine where you are at in wheel travel is to take a measurement from the fender lip (center of the wheel) to the ground. Then lift the car by the frame until the wheel is just touching the ground, re-measure. This will indicate how far you are from full extension of the shock. A minimum of 1.5" of extension travel (at the wheel) is needed to ensure that the shock does not top out. If you are more than 3" from full extension of the shock then you are in danger of bottoming out the shock absorber.

Adjusting Spring Height

When assembling the CoilOver, screw the spring retainer tight up to the spring (0 preload). After entire weight of car is on the wheels, jounce the suspension and roll the car forward and backward to alleviate suspension bind.

- If the car is too high w/ 0 preload then a smaller rate spring is required. Although threading the spring retainer down would lower the car, this could allow the spring to fall out of its seat when lifting the car by the frame.
- If the car is too low w/ 0 preload, then preload can then be added by threading the spring retainer up to achieve ride height. On 2.6" - 4" stroke shocks, up to 1.5" of preload is acceptable. On 5-7" stroke shocks, up to 2.5" of preload is acceptable. If more preload is needed to achieve ride height a stiffer spring rate is required. Too much preload may lead to coil bind, causing ride quality to suffer.

Assembly...



1

First using the supplied lower adjuster nut (90002222) thread the nut onto the shock from the bottom side as seen in figure 1



2

Next install delrin washers then coil spring over the top of the shock as seen in figure 2



Before the upper spring mount can be installed screw the adjuster knob on the upper eye mount to the firmest setting (clockwise) as seen in figure 3.



4

Slide the Derlin washer over the spring. Next slide the upper spring mount (90002222) over eyelet as seen in figure 4.



5

Install upper spring mount retainer clip (90002057) into the groove on the upper eyelet as seen in figure 5. Then reinstall adjuster to complete assembly.



The included set of bearing spacers (900002044) are used to adapt the coil-overs to just about any application. The supplied spacers allow the coil-overs to accept 5/8" or 1/2" bolts.

Shock adjustment 101- Single Adjustable

Rebound Adjustment:

How to adjust your new shocks.

The rebound adjustment knob is located on the top of the shock absorber protruding from the eyelet.

You must first begin at the ZERO setting, then set the shock to a soft setting of 20.



-Begin with the shocks adjusted to the ZERO rebound position (full stiff). Do this by rotating the rebound adjuster knob clockwise until it stops.



-Now turn the rebound adjuster knob counter clock wise 20 clicks. This sets the shock at 20. (settings 21-24 are typically too soft for street use).

Take the vehicle for a test drive.



-if you are satisfied with the ride quality, do not do anything, you are set!



-if the ride quality is too soft increase the damping effect by rotating the rebound knob clock wise 3 clicks.

Take the vehicle for another test drive.



-if the vehicle is too soft increase the damping effect by rotating the rebound knob clock wise 3 additional clicks.



-If the vehicle is too stiff rotate the rebound adjustment knob counter clock wise 2 clicks and you are set!

Take the vehicle for another test drive and repeat the above steps until the ride quality is satisfactory.

Note:

One end of the vehicle will likely reach the desired setting before the other end. If this happens stop adjusting the satisfied end and keep adjusting the unsatisfied end until the overall ride quality is satisfactory.