

INSTALLATION INSTRUCTIONS

MSD LS Ignition Control PN 6014/60143

ONLINE PRODUCT REGISTRATION: Register your MSD product online. Registering your product will help if there is ever a warranty issue with your product and helps the MSD R&D team create new products that you ask for! Go to www.msperformance.com/registration.

Parts Included:

1 – LS Ignition Controller, PN 6014	1 – Sub Harness
1 – Main Wiring Harness	1 – USB Cable
1 – Crank/Cam Pigtail 24x	1 – Mounting Kit
1 – Crank/Cam Pigtail 58x	1 – MSDView USB

Optional Accessories (Purchased Separately):

LS Coolant Temp Sensor, GM PN 12608814

WARNING: During installation, disconnect the battery cables. When disconnecting, always remove the negative cable first and install it last.

Note: Solid core spark plug wires cannot be used with an MSD Ignition Control.

OPERATION

The MSD 6014 LS Ignition controller works with 24x/1x and 58x/4x crank/cam configurations. It auto detects the correct configuration based on the reluctor wheel pattern, so there is no need to select one. It provides six pre-programmed (non-editable) timing tables for stock engines, three customizable 3-D tables and one customizable timing plot. The desired table/plot is selected on the fly using the rotary dial. The customizable tables and plot can be programmed via MSDView.

The LS Ignition controller includes a built-in 2.5 Bar MAP sensor that can be used with Naturally Aspirated or boosted applications. This allows for timing advance or retard based on the intake manifold pressure.

8MB of internal data logging is also included so you can setup, record and review runs at the track.

Note: It is recommended, that you install and run MSDView software while connected to the unit to perform the base settings. The unit can be powered off of USB, so this can be done from a desktop or laptop and does not require an external power source.

WIRING FEATURES

PINK	Step Retard. When 12-volts are supplied, the Step Retard is activated.	
BLUE	Two-Step. When 12-volts are supplied, the Launch Rev Limiter RPM value is active.	
GRAY	Tach. Provides a 12-volt square wave signal.	
RED	Battery Positive. From relay or dedicated fused 30A switch.	
BLACK	Battery Negative	
CAM/CRANK SENSOR - 10 PIN		
ORANGE/YELLOW	Pin-1	Crank
BROWN/WHITE	Pin-2	Cam
ORANGE	Pin-3	5-volt supply
PINK	Pin-4	12-volt supply
BROWN	Pin-6	Sensor Ground
ENGINE COOLANT TEMP SENSOR (ECT)		
BLACK	Pin-1	Sensor Ground
YELLOW	Pin-2	Engine Coolant Signal
COIL CONNECTOR - EVEN CYLINDERS		
BLACK	Pin-A	Chassis Ground
RED/GREEN	Pin-B	Coil 2
BROWN/GREEN	Pin-C	Coil 4
	Pin-D	Not Used
BROWN	Pin-E	Sensor Ground
BLUE/WHITE	Pin-F	Coil 6
VIOLET/BLUE	Pin-G	Coil 8
PINK	Pin-H	12-volt supply
COIL CONNECTOR - ODD CYLINDERS		
BLACK	Pin-A	Chassis Ground
RED	Pin-B	Coil 7
GREEN	Pin-C	Coil 5
	Pin-D	Not Used
BROWN	Pin-E	Sensor Ground
LT. BLUE	Pin-F	Coil 3
VIOLET	Pin-G	Coil 1
PINK	Pin-H	12-volt supply

		PIN	FUNCTION	COLOR	
16-Pin Connector	A	ECT	BLACK		2-pin connector connects to Engine Coolant Temp (ECT) sensor.
	B	Sensor Ground	BROWN		Connect to Passenger's side coil connector. (Coils 2-4-6-8)
	C	Coil 2	RED/GREEN		
	D	Coil 4	BROWN/GREEN		
	E	Coil 6	BLUE/WHITE		
	F	Coil 8	VIOLET/BLUE		
	G	12V Supply	PINK		
	H	Battery +	RED		Connect to Relay or dedicated fused 30A switch.
	J	Ground	BLACK		Connect to a ground source.
	K	12V Supply	PINK		Connect to Driver's side coil connector. (Coils 1-3-5-7)
	L	Coil 7	RED		
	M	Coil 5	GREEN		
	N	Coil 3	LT. BLUE		
	P	Coil 1	VIOLET		
	R	Sensor Ground	BROWN		
S	ECT	YELLOW		2-pin connector connects to ECT sensor	
		PIN	FUNCTION	COLOR	
10-Pin Connector	A	12V	PINK		
	B	Ground	BROWN		Connect to Cam/Crank pigtail.
	C	Cam	BROWN/WHITE		
	D	Crank	ORANGE/YELLOW		
	E	5V	ORANGE		
	F	Factory Use	BLACK		
	G	Not Used			
	H	Step Retard	PINK		Step Retard is activated when 12V is supplied.
	J	Launch Rev Limiter*	BLUE		When 12V is supplied, the Launch Rev Limiter RPM value is active. (*Two Step)
	K	Tach	GRAY		Tach output

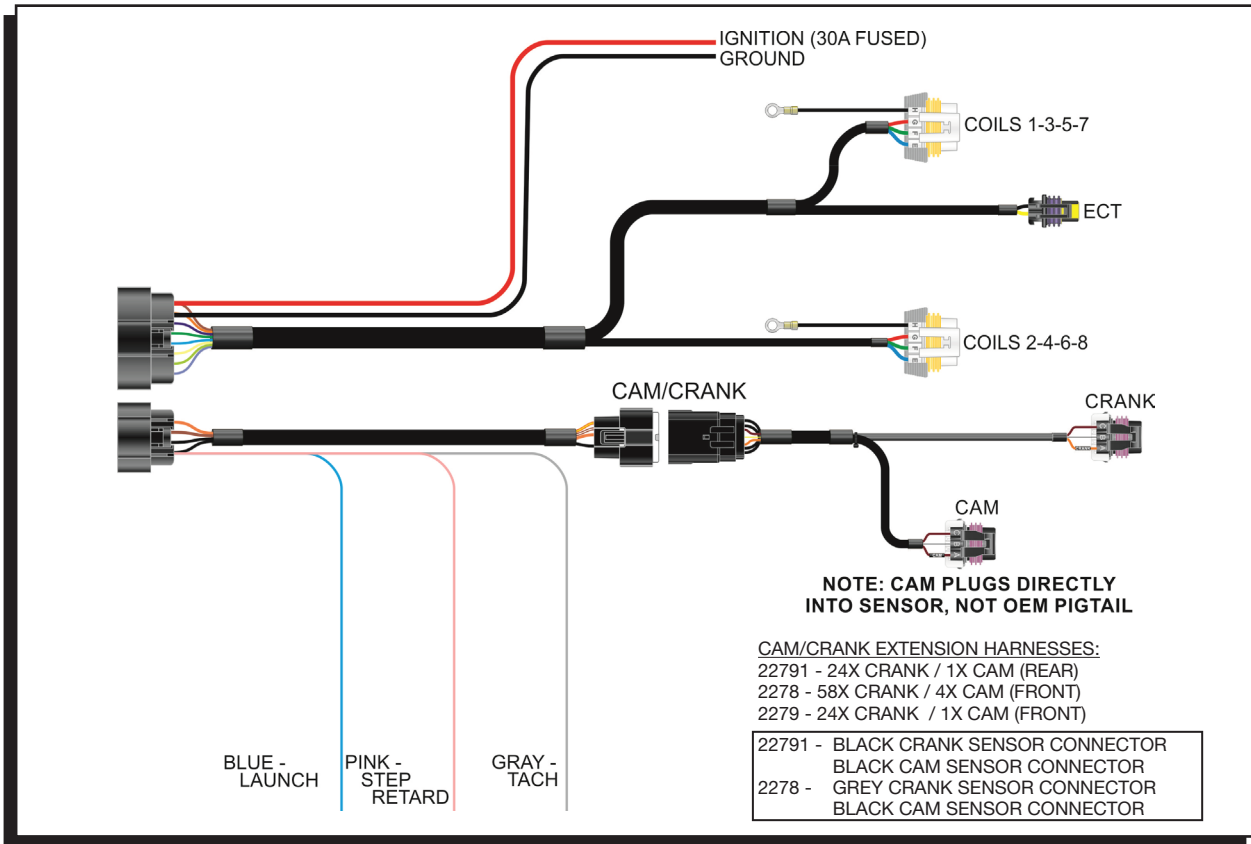


Figure 1 LS Ignition Harness

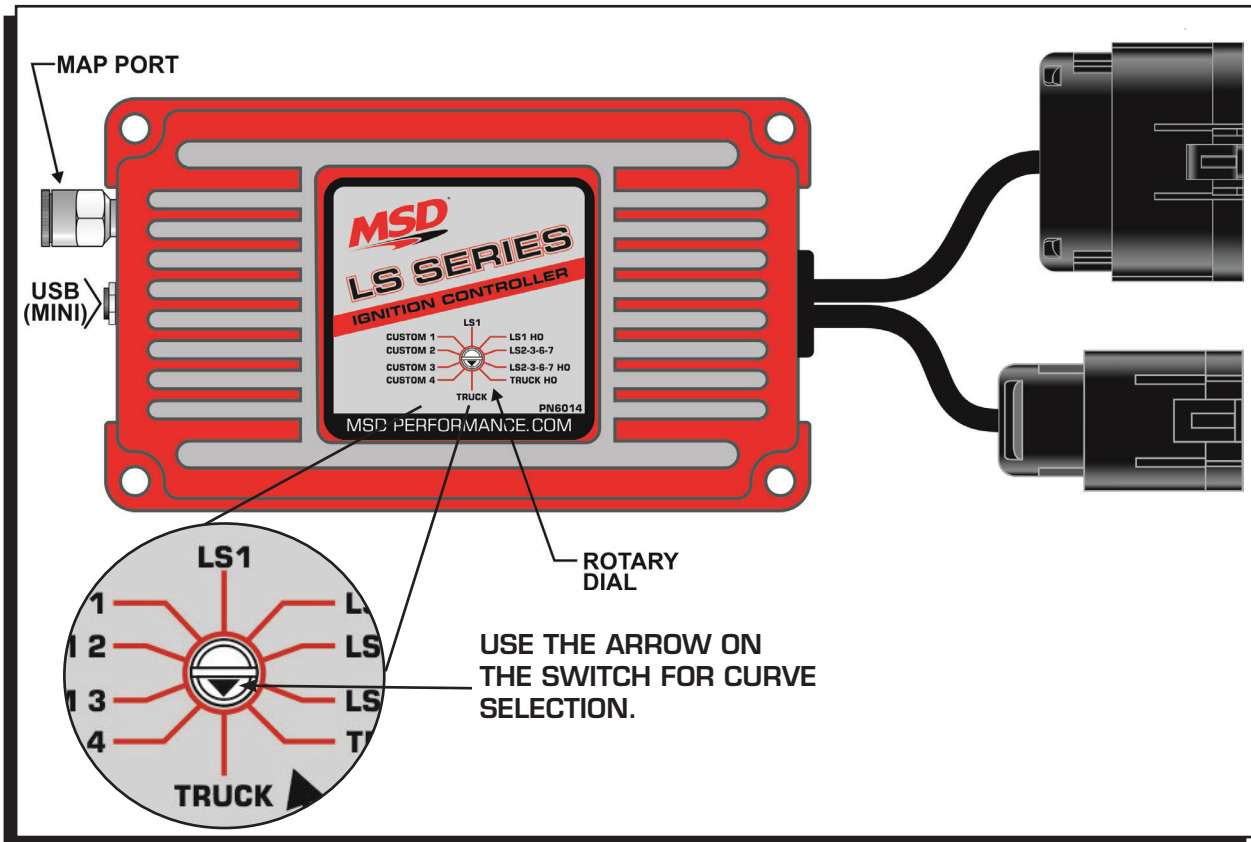


Figure 2 PN 6014 Ignition Control Timing/Rev LS Series

Note: The LS Ignition Controller requires a 30 Amp fused power source.
Do not power the unit directly through the Ignition Key switch.

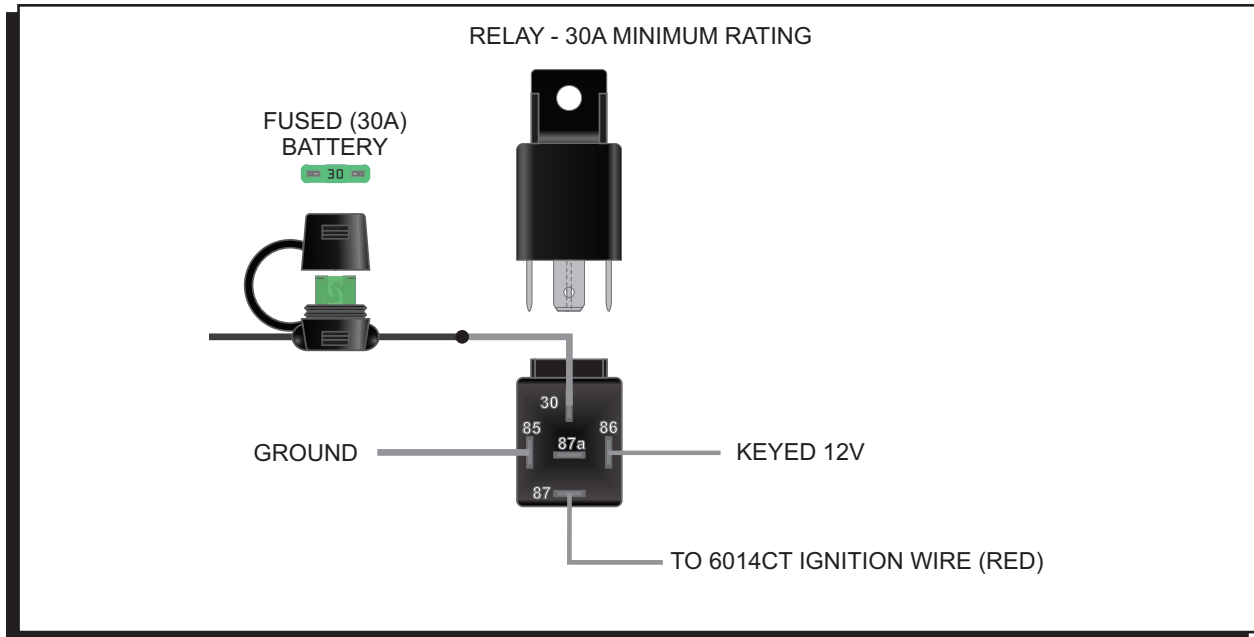


Figure 3 Recommended Relay Set-Up

MOUNTING

The LS Ignition must be mounted in a sturdy, dry location and not exposed to extreme heat. It should be mounted using the included rubber isolators to limit excessive vibration. The unit is fully potted, but should not be immersed or subjected to direct spray from a power washer.

MSDView

The MSDView software allows editing of the first four timing tabs, as well as turning features on/off and setting up and retrieving data logs. The following information gives a brief explanation of each function or feature in the system and the settings that control them. While using the software, you can mouse over each item for a brief on-screen explanation.

Note: Make sure MSDView is installed on the PC prior to connecting the LS Ignition Controller.

INSTALLATION OF THE MSDVIEW SOFTWARE

1. Insert the installation Flashdrive into available USB port.
2. Locate the 'autorun.exe' file on the Flash drive.
3. Click on "Install MSD View Software". Click 'Yes' when asked 'Do you want the following program to make changes to this computer?'.
4. Click 'Next' in the 'Setup - MSD View' window.
Accept the License Agreement and click 'Next'.
Choose to accept the desktop icon then click 'Install'.
Click 'Finish' to run application.
5. Connect the LS Controller via USB and wait for it to be listed in the product window..
It will be listed in the product window. Select the LS Controller by highlighting the line or checking the box and clicking the 'View/Hide' button.

Note: The first time the unit is connected, it may prompt for updates to be installed.

SAVES AND TRANSFERS

Changes made to the LS Ignition Controller via MSDView are in real time. You can create and save numerous different files to your PC and load them back into the unit for different applications. The following will go through a general description of the software for the LS Ignition Controller.

OPTIONAL CONNECTIONS

MAP INPUT: This is the Manifold Absolute Pressure sensor that is integral to the unit. It uses a 1/4" Camozzi fitting and is rated at 2.5 Bar. Using it can advance your timing under engine vacuum and retard it under boost. It is recommended that you use it, but not required unless you are using forced induction.

COOLANT TEMPERATURE: This will monitor engine temperature. It has the ability to advance the timing while the engine is cold and retard it when it gets hot, helping to prevent engine damage. It is not required for the unit to function properly and leaving it disconnected will not advance or retard the timing relative to the base settings. The ECT Diagnostic will pop up, but will have no ill effect on the controller's functionality.

PROGRAMMABLE FEATURES, SETTINGS AND DATA ACQUISITION

SETTINGS

These are basic settings that should be configured the first time the unit is used, but it is not required. Basic setup can be performed on the bench with just the USB cable connected to the device. No external power is required.

Maximum Rev Limiter: This is the maximum RPM that the engine can reach before the coils will not produce spark.

Launch Rev Limiter (Blue Wire): This is the maximum RPM that the engine will reach before the coils will not produce spark while the launch wire has 12V battery power applied to it.

Latched: When this is "DISABLED", the two step will activate any time the RPM is at or above the set Launch Rev Limiter. If it is set to "ENABLED", the launch rev limiter cannot become active unless the RPM falls below 7/8 of the set RPM. For example: If set at 4000 RPM and the launch wire is activated, the launch limiter can only come on if the RPM falls below 3500. This prevents accidental activation while at high RPM (such as a faulty launch switch activating or activating it with the clutch during the run).

Coil Type: This selects the dwell or charge time of the coils. Choose "AUTO" if unsure.

Auto – The controller will automatically match the coil dwell to the crankshaft reluctor wheel used.

LS1 – This sets the dwell time of the LS1/6 coils.

LS2/3/7 – This sets the dwell time of the LS2/3/7 coils.

Truck – This sets the dwell time of the early truck coils.

Idle Timing Control: This will use timing to help stabilize the idle speed of your motor. It should be set to "ENABLED" on any motor that also used a computer controlled IAC. Enabling it will cause idle timing to be dynamic and it may appear to jump around at idle when using a timing light.

TIMING TABLES

Under this tab, you will find the timing tables used to control the spark output. The appropriate table is selected with the rotary dial on the front of the LS Ignition Controller. If connected with MSDView, you can double check this setting by looking at "Rotary Dial Position" under the monitor tab. The four "Custom" tables (Custom 1-4) are adjustable by the user while the other six cannot be modified. The cell values and axes (interval units) can be changed on all four of the Custom tables. For example, if more resolution is desired on the MAP axis in a Naturally Aspirated application, the interval units can be adjusted such that the maximum value does not exceed local atmospheric pressure. The axes on Custom tables 2-4 are linked, so changing one will change all of them. The Custom 1 axes are unique and can be changed independently of the Custom 2-4 axes.

CUSTOM 1: This tab contains two sub tabs with plots that are similar to MSD PN6010/PN6012 ignition controllers. The “Engine Speed” tab is similar to springs and weights that would normally be found in a distributor. Set the base timing at your idle RPM and draw

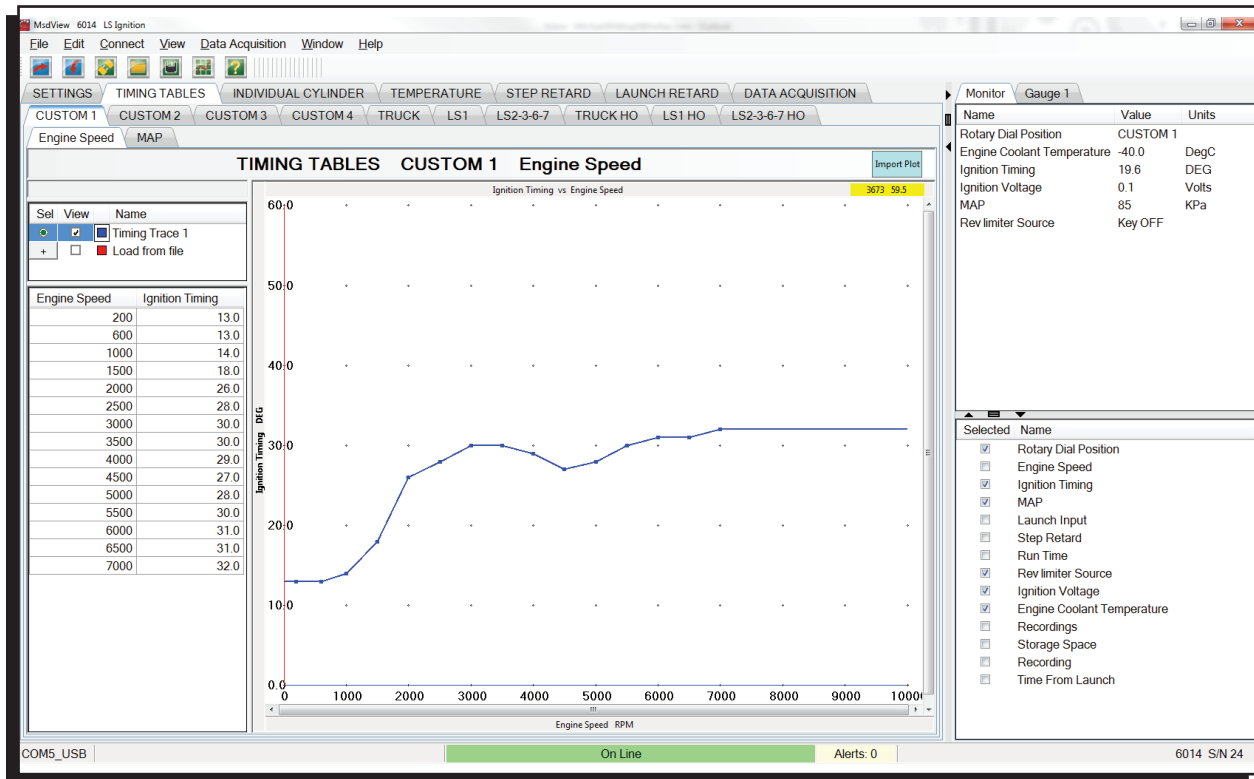


Figure 4 Custom Timing Table 1

the advance curve as a normal distributor would. The “MAP” table represents a vacuum advance canister as well as a boost retard. Under a vacuum, it should advance the timing (positive values) and under boost it should retard values (negative numbers).

CUSTOM 2-4: These tabs are standard 3-D timing tables. The ignition timing will correspond to the value in the cell (the applicable cell being defined by RPM and engine load).

TRUCK: This tab is a timing table to be used on 4.8, 5.3 and 6.0L motors with low octane fuel.

LS1: This tab is a timing table to be used on a LS1 with low octane fuel.

LS2-3-6-7: This tab is a timing table to be used on a LS2-3-6-7 or 6.2L truck motor with low octane fuel.

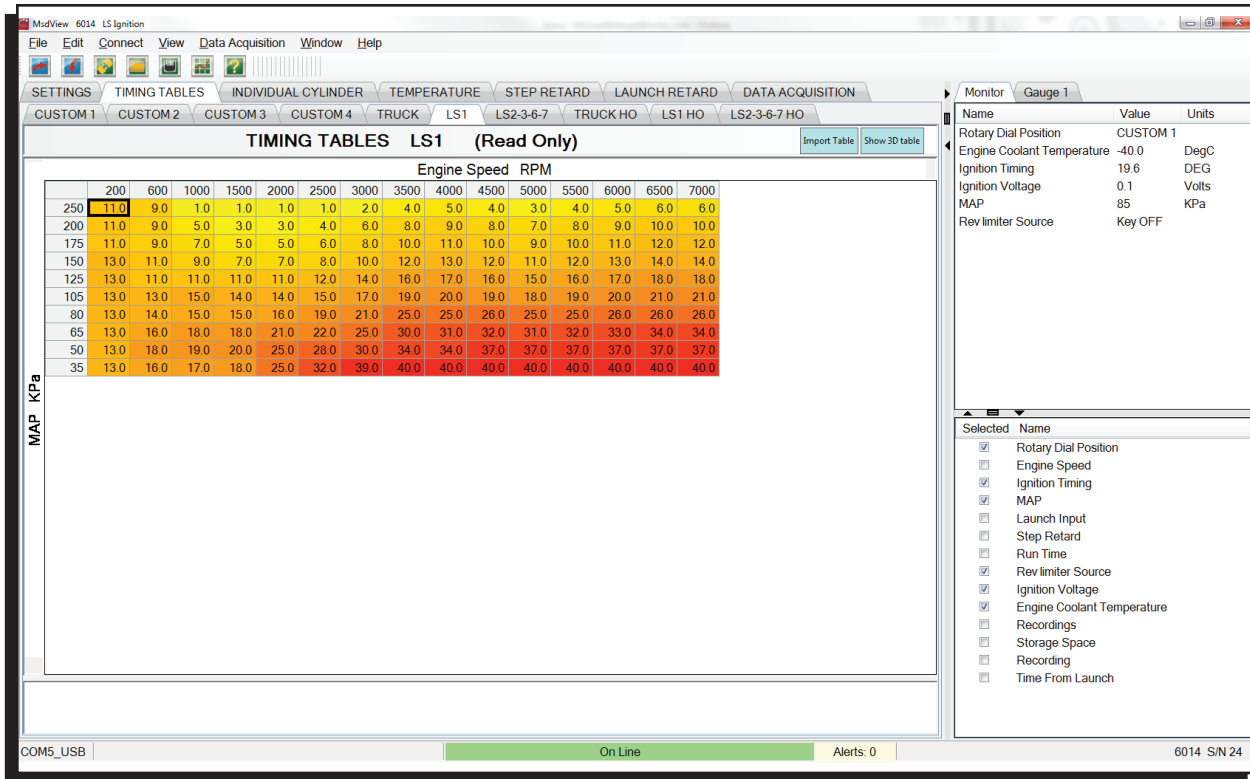


Figure 5 Timing Tables LS1

HO Tables: These tabs are similar to the regular tables, but have 4-5 more degrees of timing added in the wide open throttle areas. These should only be used while using high octane fuel (91-93 Octane).

Note: The timing output from the selected table will be modified by the “TEMPERATURE” correction as well as the “INDIVIDUAL CYLINDER” timing. The sum of all these values is the final timing to the engine.

INDIVIDUAL CYLINDER

These tables control individual cylinder timing. Each CYL # is the actual cylinder number of the engine. Positive values advance the timing and negative values retard the timing. The axes are load and RPM and are shared with the main custom timing tables (Custom 1-4). If the axis values are changed in these tables, they will also change in the custom timing tables.

TEMPERATURE

Running an engine coolant temp sensor is not required, but recommended for optimum operation and engine protection. When the coolant temperature is high, the engine can generally not withstand quite as much timing as when the temperature is low. The default graph is a little more aggressive than in an OEM application, but should work well. If the sensor is not installed or is faulted (shorted or open) the temperature in the graph will default to 50C (122F) so the numbers surrounding 50C should be left at 0.

Note: The Timing vs Temperature table values are based on the use of the stock LS GM coolant temp sensor. Do not use a different sensor unless you know the calibration is the same.

STEP RETARD (PINK WIRE)

The “Step Retard” (nitrous) input, will retard the ignition timing when it is activated with +12V power. It is helpful if you are using a power adder and need to retard the timing while it is active. The following describes how the activation/deactivation works:

TOTAL RETARD: The maximum amount of timing that will be removed after the “ON Ramp Time” has been passed.

MINIMUM ENGINE SPEED: This is the minimum engine speed that must be met to retard the timing. If the “Step Retard” wire is activated below this RPM, it will have no effect and will not retard the timing. Set this at 0 (zero) if you want the step retard to be active regardless of engine RPM.

ON RAMP TIME: The time that it will take to reach the full “Total Retard”. This will allow for a softer timing retard over time. For example, if you have 10 degrees of Total Retard and a 1 second ramp time, the controller will retard 1 degree every 0.1 seconds until the full 10 degrees of timing has been pulled out. This timer will not begin until the “Minimum Engine Speed” is met. Setting On Ramp Time to 0 (zero) will cause an immediate timing retard corresponding to the Total Retard.

OFF DELAY: The time the Total Retard remains in effect after the “Step Retard” is deactivated. This can ensure that the intake manifold is void of residual nitrous. This will also delay the “Off Ramp Time” from starting - meaning that it is additive with respect to the Off Ramp Time

OFF RAMP TIME: This will decay the effect of the Total Retard - effectively ramping timing back into the motor instead of removing it instantaneously. Timing will start ramping back in after the “Off Delay” has expired.

LAUNCH RETARD

The LAUNCH RETARD is used to set the ignition timing during the 10 seconds after the launch wire is released. It can be helpful in optimizing traction immediately after launch. The Time From Launch is a monitor item and it is used by the LAUNCH RETARD table.

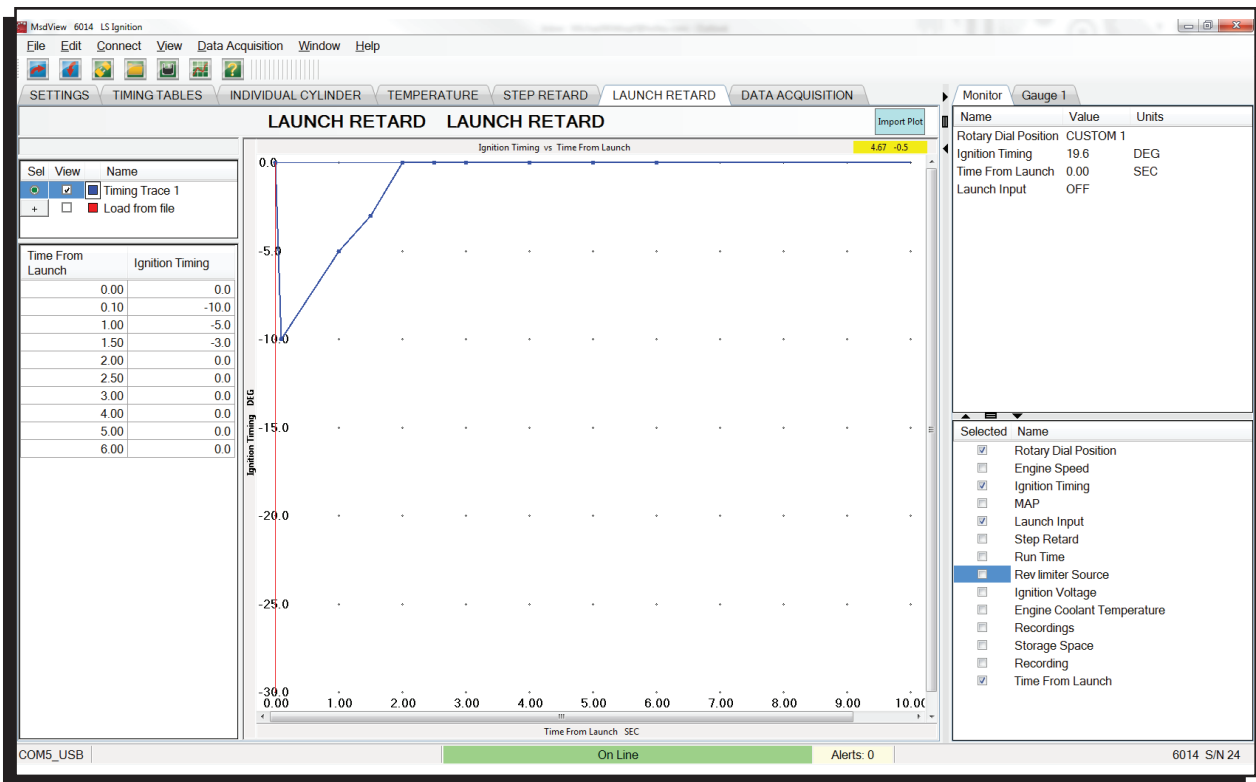


Figure 6 Launch Retard.

DATA ACQUISITION

The data recorder on the LS Ignition system is a programmable 8MB storage system. It is meant to be a recording device to observe RPM, timing, input activations and a number of other different parameters while racing down the track. Once the memory is full, the system will stop recording data until the user deletes some of the recordings.

SETTINGS

DATA ACQUISITION: Master Enable/Disable switch

START RECORDING ABOVE: The engine speed must be greater than this to begin recording.

ACTIVATE WITH LAUNCH INPUT: If this is enabled, recordings will not start unless the "Launch" wire is activated. If it is disabled, recordings can start whenever the RPM conditions are met.

STOP RECORDING BELOW: If the engine speed falls below this, the recording will stop.

MAX RECORDING TIME: This is the longest any single recording can be. If the time is expired and all other conditions are still met a new recording will automatically begin.

CHANNELS

CHANNEL	Description
ENGINE SPEED	The Speed of the motor in RPM
IGNITION TIMING	Ignition timing referenced to Top Dead Center (TDC)
MAP	The Intake Manifold Absolute Pressure in kPa or PSIA
LAUNCH	Launch wire: activated = 1; not activated = 0
STEP RETARD	Step Retard wire: activated = 1; not activated = 0
ECT	Engine Coolant Temperature. It will show -40°C if not connected, but the controller will default it to 50°C in the temperature timing control
IGNITION VOLTAGE	The voltage being supplied to the unit and the coils. It is important that it remains over 12V to supply proper power to them.
MAP FAULT	Indicates the MAP sensor is open or shorted
BATTERY FAULT	Activates if voltage drops below 9V or goes above 18V
CAM FAULT	Indicates a problem with the camshaft position sensor (CMP). It will activate if RPM is detected but no cam sensor signal is detected
CRANK FAULT	Indicates a camshaft sensor (CMP) signal is detected, but no engine speed is detected - likely resulting from a Crankshaft Position Sensor (CKP) fault

Note: The system has a limit of 10 minutes of recording every time the Data Acquisition is enabled; that includes the initial enable at power up. After the limit is reached, the user must disable and re-enable the Data Acquisition in order for the system to continue recording.

MONITORS

MONITORS	Description
ROTARY DIAL POSITION	Indicates which timing table is selected
ENGINE SPEED	Engine speed in RPM
IGNITION TIMING	Ignition timing referenced to Top Dead Center (TDC)
MAP	Intake Manifold Absolute Pressure in kPa or PSIA
LAUNCH INPUT	Launch Wire (blue) status (active or inactive)
STEP RETARD INPUT	Step Retard (nitrous) status (active or inactive)
RUN TIME	The length of time the engine has been running (resets with every power on cycle)

REV LIMIT SOURCE	Indicates which source will be limiting the motor . It will be Key Off when connected via USB, Launch when the launch wire is activated or Maximum any other time.
IGNITION VOLTAGE	This is the voltage being supplied to the unit. This is also the voltage being supplied to the coils - so it is important that it remains over 12V to supply proper power to them.
ENGINE COOLANT TEMPERATURE	This is the engine coolant temperature in Celsius or Fahrenheit. It will display -40°C if the sensor is not connected or open and 130°C if it is shorted.
RECORDINGS	Number of recordings stored on the device
STORAGE SPACE	Amount of free storage space for the recordings
RECORDING	Indicates if the unit is currently recording a data file
ROTARY DIAL SELECT	Indicates which timing table is selected with the rotary dial and will be used for timing control.
TIME FROM LAUNCH	Indicates the length of time since the Launch Input was de-activated. Used for Launch Retard.

ALERTS

FAULTS	Description/Cause
MAP SENSOR FAULT	MAP sensor problem (open or shorted)
BATTERY	Activates if voltage drops below 9V or goes above 18V
ECT SENSOR	Displays -40°C if temp sensor is not connected; the controller will default it to 50°C in the temperature timing control table
CAM FAULT	RPM is detected but no cam sensor signal is present
CRANK FAULT	Camshaft sensor signal is present, but no engine speed is detected
EEPROM READ ERROR	EEPROM data corrupted
EEPROM WRITE ERROR	Error writing to EEPROM
FLASH READ ERROR	Flash data corrupted
FLASH WRITE ERROR	Error writing to flash
FLASH FULL	The flash is out of memory. Data acquisition is stopped. The user needs to delete recordings
DATA ACQUISITION BUFFER WARNING	The data acquisition buffer is 90% full
DATA ACQUISITION BUFFER FULL	The data acquisition buffer is full



TECH NOTES

Series of horizontal lines for handwritten technical notes.

Service

In case of malfunction, this MSD component will be repaired free of charge according to the terms of the warranty. When returning MSD components for warranty service, **Proof of Purchase** must be supplied for verification. After the warranty period has expired, repair service is based on a minimum and maximum fee.

All returns must have a Return Material Authorization (RMA) number issued to them before being returned. To obtain an RMA number please contact MSD Customer Service at 1 (888) MSD-7859 or visit our website at www.msdpower.com/rma to automatically obtain a number and shipping information.

When returning the unit for repair, leave all wires at the length in which you have them installed. Be sure to include a detailed account of any problems experienced, and what components and accessories are installed on the vehicle. The repaired unit will be returned as soon as possible using Ground shipping methods (ground shipping is covered by warranty). For more information, call MSD at (915) 855-7123. MSD technicians are available from 7:00 a.m. to 5:00 p.m. Monday - Friday (mountain time).

Limited Warranty

MSD warrants this product to be free from defects in material and workmanship under its intended normal use*, when properly installed and purchased from an authorized MSD dealer, for a period of one year from the date of the original purchase. This warranty is void for any products purchased through auction websites. If found to be defective as mentioned above, it will be repaired or replaced at the option of MSD. Any item that is covered under this warranty will be returned free of charge using Ground shipping methods.

This shall constitute the sole remedy of the purchaser and the sole liability of MSD. To the extent permitted by law, the foregoing is exclusive and in lieu of all other warranties or representation whether expressed or implied, including any implied warranty of merchantability or fitness. In no event shall MSD or its suppliers be liable for special or consequential damages.

*Intended normal use means that this item is being used as was originally intended and for the original application as sold by MSD. Any modifications to this item or if it is used on an application other than what MSD markets the product, the warranty will be void. It is the sole responsibility of the customer to determine that this item will work for the application they are intending. MSD will accept no liability for custom applications.