



Installation Instructions

Part No. 3677640

Mastershift 3-Speed Installation Kit - Ford

See "Applications" tab on this product's page at www.hurst-shifters.com
for specific vehicle & model year fitment

Rev 02/28/2020

WORK SAFELY: Perform this on a good clean level surface for maximum safety and with the engine turned "off". Apply parking brake and place blocks or wedges in front of and behind both rear wheels to prevent movement in either direction.

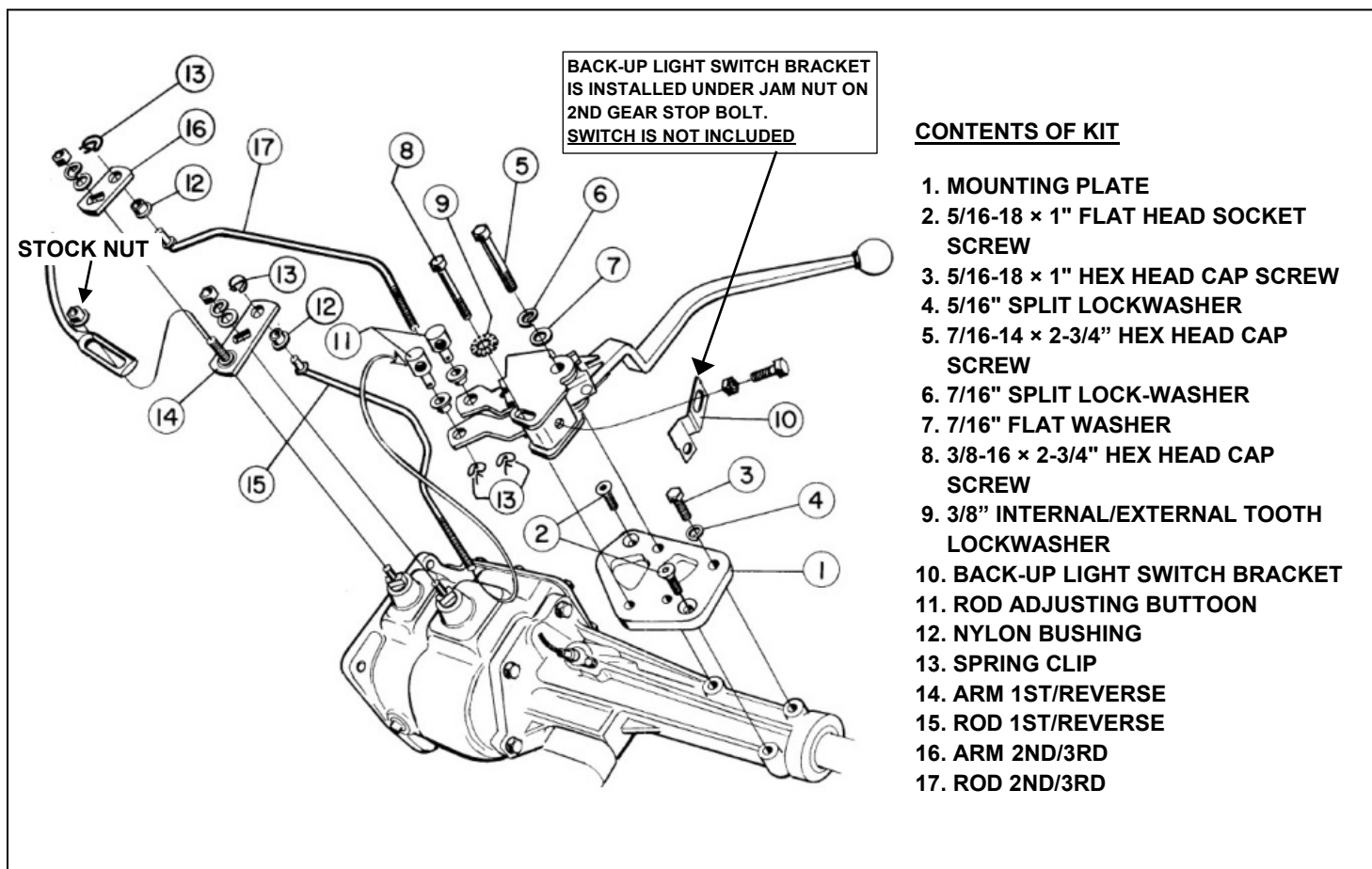
CAUTION: To avoid any possibility of bodily injury or damage to vehicle, do not attempt disconnect or installation until you are confident that the vehicle is safely secured and will not move.

ATTENTION: Due to variations in the auto manufacturing tolerances, the transmission rods supplied with this kit may require slight bending to clear any obstructions, etc. Protect the threads while bending. **BEND RODS COLD! – DO NOT APPLY HEAT!**

Disconnect the 1st-Reverse rod at the transmission control arm only. The stock 1st-Reverse rod is to remain connected to the steering column lever. Remove 2nd-3rd stock linkage completely at both ends.

1. Assemble the bracket and brace bolt, split lock-washer and hex-nut as shown in exploded assembly drawing.
2. Disconnect the speedometer cable coupling from the transmission and pass it through the hole in the shifter mounting bracket. Re-connect the cable coupling to the transmission. Attach the bracket and the stiffener brace assembly to the transmission as shown in assembly view, use the stock transmission bolts. Tighten all bolts after all have been started.
3. Pierce a small hole through the floor directly in line with the top shifter mounting hole in the bracket, about one inch away from the surface of the bracket. Use this pierced hole as a center to cut a hole large enough to clear the shifter. The hole should have 1/4" clearance around shifter
4. Install the shifter on the bracket and brace assembly (enlarge the opening in the floor tunnel, if necessary). Tighten all the mounting hardware.
5. Assemble the arms with the respective rods using the bushings and spring clips. Refer to the exploded assembly drawing and select the correct rods from the parts list according to the vehicle (late or early). Thread rod adjusting buttons onto rods. Refer to the separate shifter alignment instruction sheet for further directions to align and assemble linkage.

After the linkage has been connected and the shifter is operating properly, connect the backdrive linkage to the 1st-Reverse arm. Refer to the instructions on page 2 for proper connection.



IMPORTANT: RETAIN THESE INSTRUCTIONS FOR FUTURE REFERENCE

Technical Service

Hurst Performance maintains a highly trained technical service department to answer your technical questions, provide additional product information and offer various recommendations.



Hurst Performance Products

(866) 464-6553

www.hurst-shifters.com