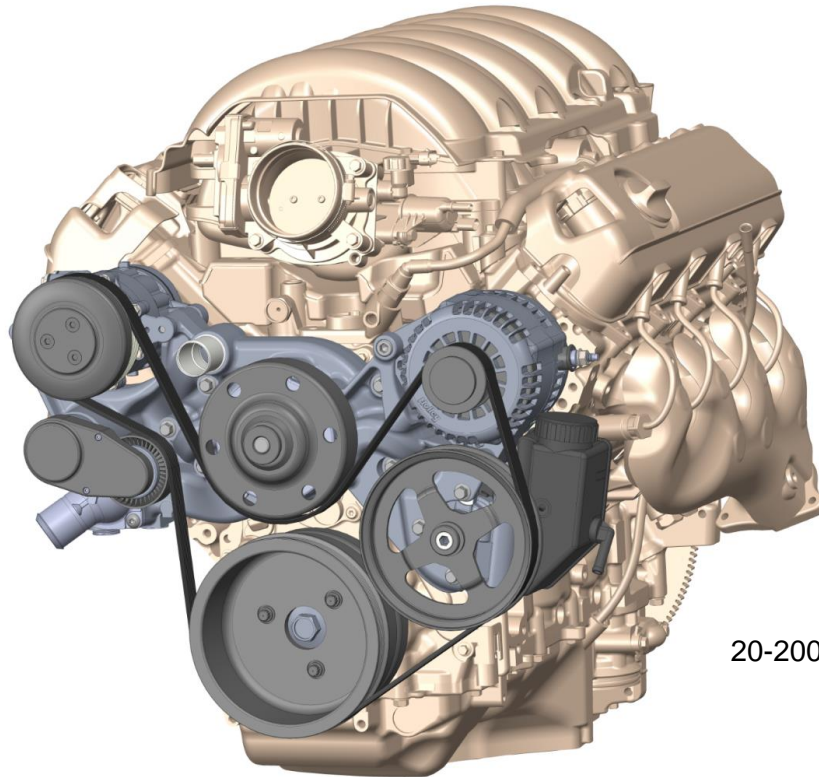




# Complete Holley Mid-Mount Accessory Drive Kit

Part Numbers: 20-180, 20-180BK, 20-180P, 20-185, 20-185BK, 20-185P, 20-190, 20-190BK, 20-190P, 20-200, 20-200BK, and 20-200P



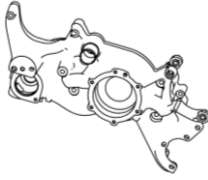

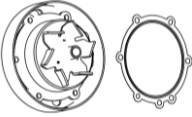





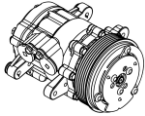
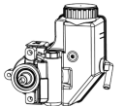
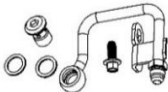


20-200 shown





Holley's Mid-Mount complete accessory system has all accessories pulled in tighter than other accessory drives. Among the many swap friendly features is the bracket-less assembly that actually mounts all accessories to the water pump directly.

## Features:


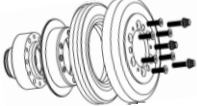
- Bracket-less accessory mounting with ultra-easy assembly
- Bottom outlet heater hose options for swap application clearance
- LT1 style hairpin premium alternator
- LT1 style water pump design
- Compact SD7 A/C compressor
- Type II power steering pump with baffled reservoir
- OE pulley ratios for optimal accessory performance
- Available for LS and LT applications
- Billet tensioner cover (does not apply to 20-185)
- Billet alternator and compressor pulley covers (does not apply to 20-185, 20-185BK, and 20-185P)
- SFI certified damper w/ hard anodized billet crank pulley (does not apply to 20-185, 20-185BK, and 20-185P)

## Parts List:


PICTURE	QTY	DESCRIPTION	REPLACEMENT MANUFACTURER & P/N
	1	Manifold Assembly, Water Pump	Holley 97-163 (LS natural) / 97-167 (LS black) / 97-165 (LS polished)  97-164 (LT natural) / 97-168 (LT black) / 97-166 (LT polished)
	1	Gaskets, Water Pump	GM 12630223 (LS) / 12657430 (LT)
	1	Water Pump Drive Assembly / Gasket	Holley 97-200 / GM 12619770
	1	Belt, 6 Rib Serpentine	BANDO 6PK1715
	1	Thermostat 180° / housing	Holley 97-169 (set) GM 89018168 (thermostat only)
	1	NPT Adapters (2) & Plugs (3)	Holley 97-177
	1	Alternator / harness pigtail	Holley 197-302 (natural) / 197-303 (black) / 197-304 (polished), Pigtail Holley 197-400
	1	Tensioner Assembly with Smooth Pulley	Holley 97-179 OR Gates 38163
	1	SD7 A/C Compressor	Holley P/N 199-102 (natural) / 199-104 (black) / 199-106 (polished)
	1	P/S Pump with Reservoir	Holley P/N 198-101
	1	P/S Pressure Hardline to -6 AN, Banjo Bolt, crush washers (2), & Hardware	Holley 198-203
	1	P/S Pulley	Holley P/N 97-152
	1	Damper Crank Bolt (OE)	GM 12557840 (LS1, 2, 3, 6, & LT) / 11570163 (LS7)

HARDWARE		(REPLACEMENT KIT 97-162)	HARDWARE APPLICATION
	1	Oversized Washer, M8	Tensioner
	1	Button Head Bolt, M8 x 1.25 x 70	Tensioner
	1	Button Head Bolt, M10 x 1.5 x 80	Alternator (outside)
	2	Button Head Cap Bolt, M6 x 1.0 x 18	Thermostat Housing
	6	Button Head Bolt, M6 x 1.0 x 20	Water Pump to Manifold
	2	Socket Head Cap Bolt, M8 x 1.25 x 95	A/C Compressor
	1	Socket Head Cap Bolt, M10 x 1.5 x 75	Alternator (inside)
	5	Flange Head Bolt, M8 x 1.25 x 115	Manifold to Engine Block
	1	Flange Head Bolt, M8 x 1.25 x 50	Manifold to Engine Block
	3	Flange Head Bolt, M8 x 1.25 x 30	Power Steering Pump


**Included Only With:** 20-180, 20-180BK, 20-180P, 20-190, 20-190BK, 20-190P, 20-200, 20-200BK, and 20-200P

	1	Crank Pulley	Holley 97-159 (LS1, 2, 3, & 6) / 97-160 (LS7) / 97-161 (LT)
	1	Hub, Inner Shell, Damper assembly, Outer Shell, & Hardware (crank pulley bolts included with this hardware).	Holley 97-190 (LS1, 2, 3, & 6) / 97-191 (LS7) / 97-192 (LT)

**Included Only With:** 20-185, 20-185BK, and 20-185P

	1	One-piece damper / pulley	Holley 97-205
---	---	---------------------------	---------------


**Included Only With:** 20-180, 20-180BK, 20-180P, 20-185P, 20-190, 20-190BK, 20-190P, 20-200, 20-200BK, and 20-200P

	1	Alternator Pulley Cover & O-ring	Holley 97-187 (black) / 97-188 (polished)
---	---	----------------------------------	---

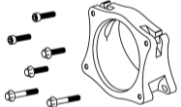
**Included Only With:** 20-180, 20-180BK, 20-180P, 20-190, 20-190BK, 20-190P, 20-200, 20-200BK, and 20-200P

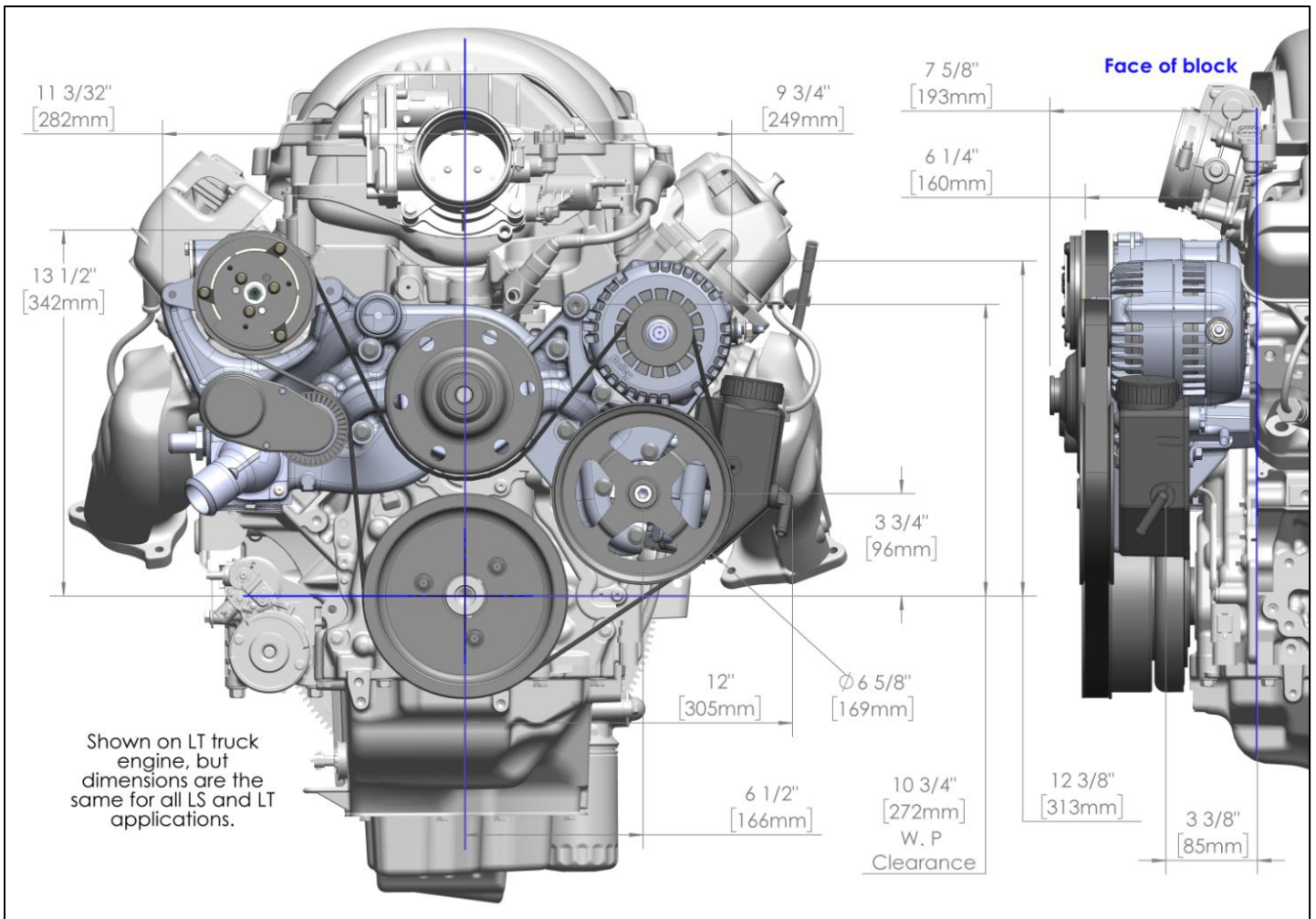
	1	A/C Compressor Pulley Cover & Hardware	Holley 97-185 (black) / 97-186 (polished)
---	---	--	---

**Included Only With:** 20-180, 20-180BK, 20-180P, 20-185BK, 20-185P, 20-190, 20-190BK, 20-190P, 20-200, 20-200BK, and 20-200P

	1	Tensioner Cover & Hardware	Holley 97-158 (black) / 97-157 (polished)
---	---	----------------------------	---

**Included Only With:** 20-200, 20-200BK, and 20-200P

	1	Throttle Body Angle Adapter & Hardware	Holley 717-15
---	---	--	---------------



**IMPORTANT NOTE IF PAINTING COMPONENTS:** The alternator and A/C compressor ground through the water pump manifold. If painting or coating the manifold, the mating surfaces must all be bare metal allowing a ground path from the accessories' mounting feet to the engine block and ultimately the negative terminal on the battery.

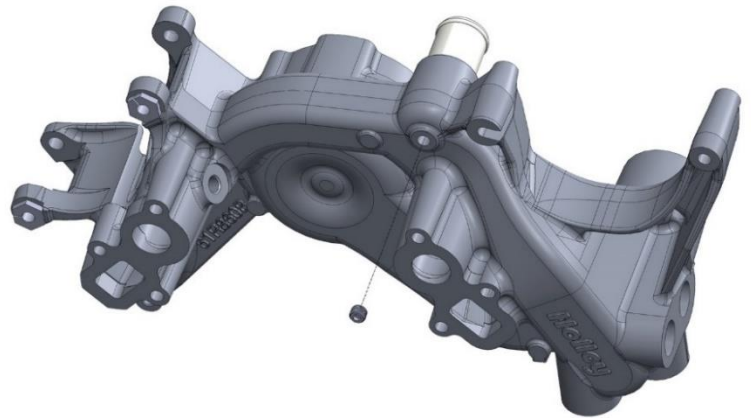
## Assembly Instructions

**HELPFUL HINT:** The below assembly order is optimized for explanation and the average application. It may be easier to preassemble some components to the manifold before mounting to the engine. Torqueing of the components may however be easier after mounting. The only component that cannot be preassembled is the tensioner, as it would prevent access to a mounting bolt. Keep in mind adding components increases overall size and weight and may require an additional person when mounting.



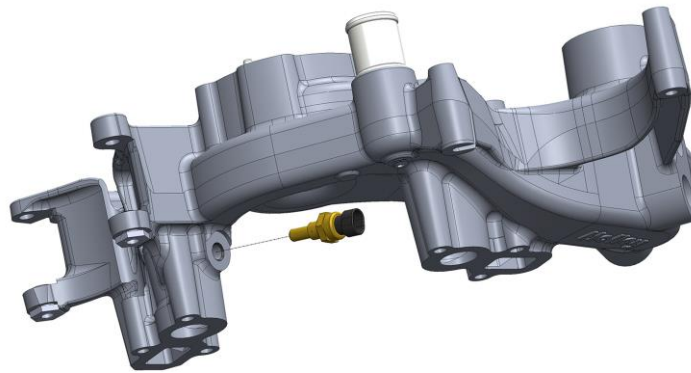
### Steam Vent Inlet Port (optional):

A port is provided for convenient and simple routing of LS steam venting. If not utilizing the steam inlet port, install the 1/8" NPT plug provided. Use thread sealant (Loctite® brand 567 pipe thread sealant or equivalent). Install to finger tight, and then tighten 2 to 3 rounds.



Suggested accessories (not included): Holley 26-552 complete LS steam tube plumbing kit

### ECU Water Temperature Sensor Installation (LT applications only):

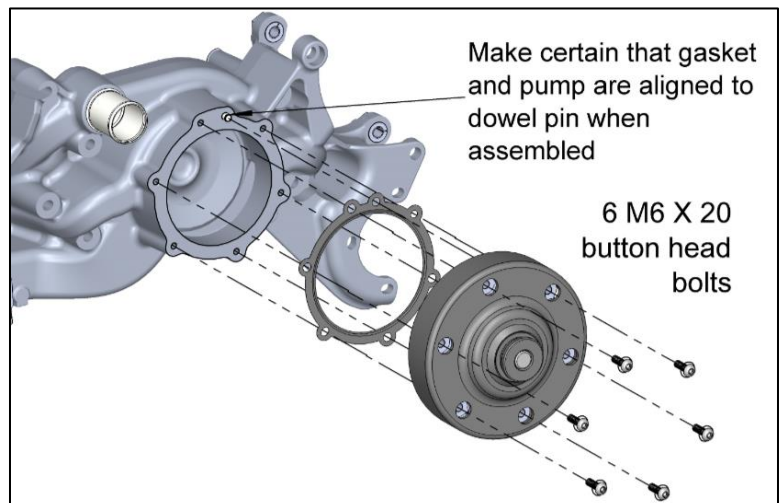


Install original temperature sensor removed from the LT water pump manifold. Torque to 15 ft./lb.

### Water Pump and Gasket Installation:

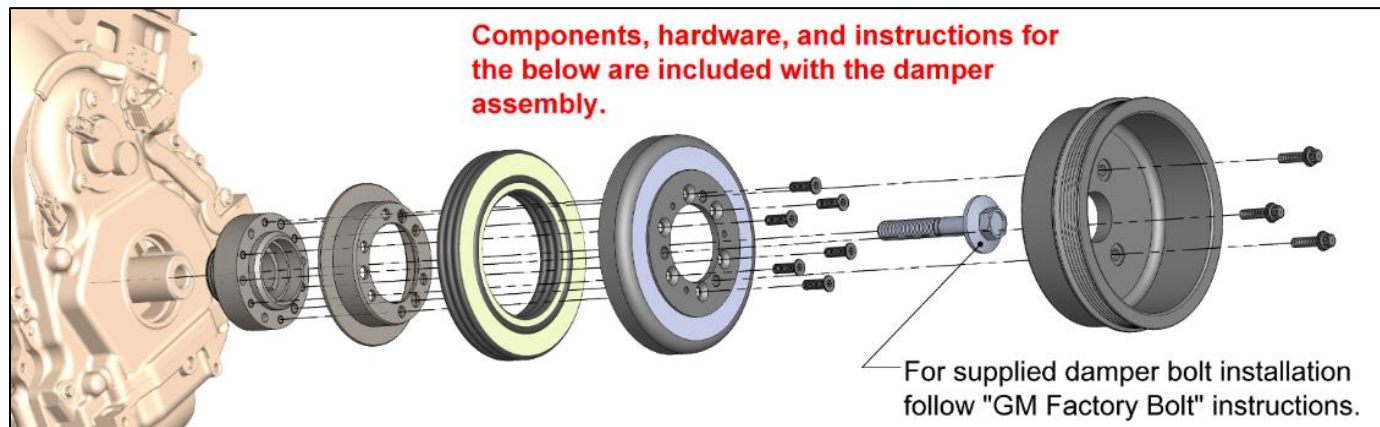
**Helpful Hint:** Do not confuse these M6 x 20 long bolts with the two M6 x 18 bolts to be used later.

**NOTE:** Torque M6 button head bolts to 85 in/lbs. Use a standard 4mm hex tool. Do not use a ball hex tool.  
**Do not overtighten.**

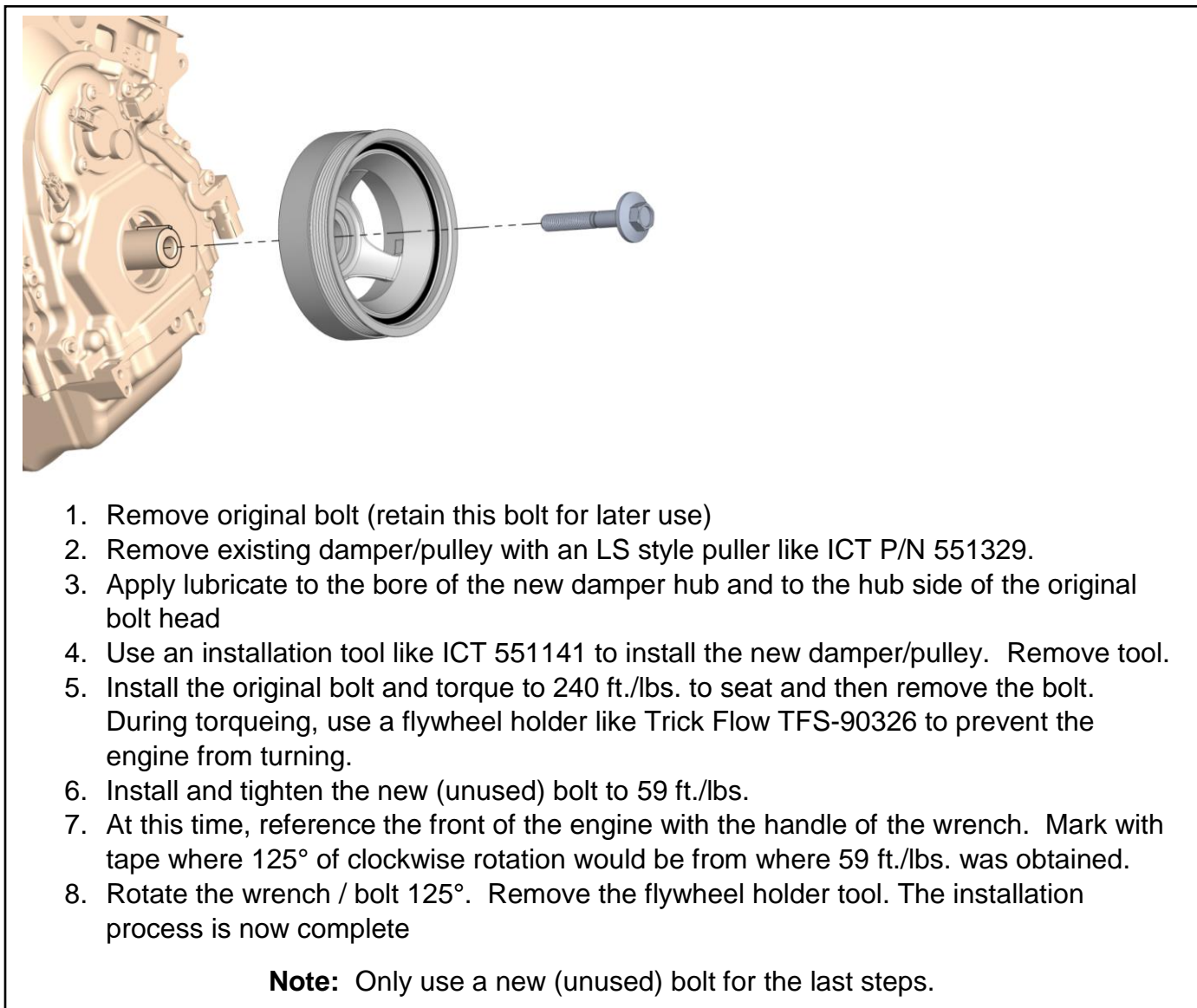


## Damper / Crank Pulley Assembly Installation (whichever applies to your kit):

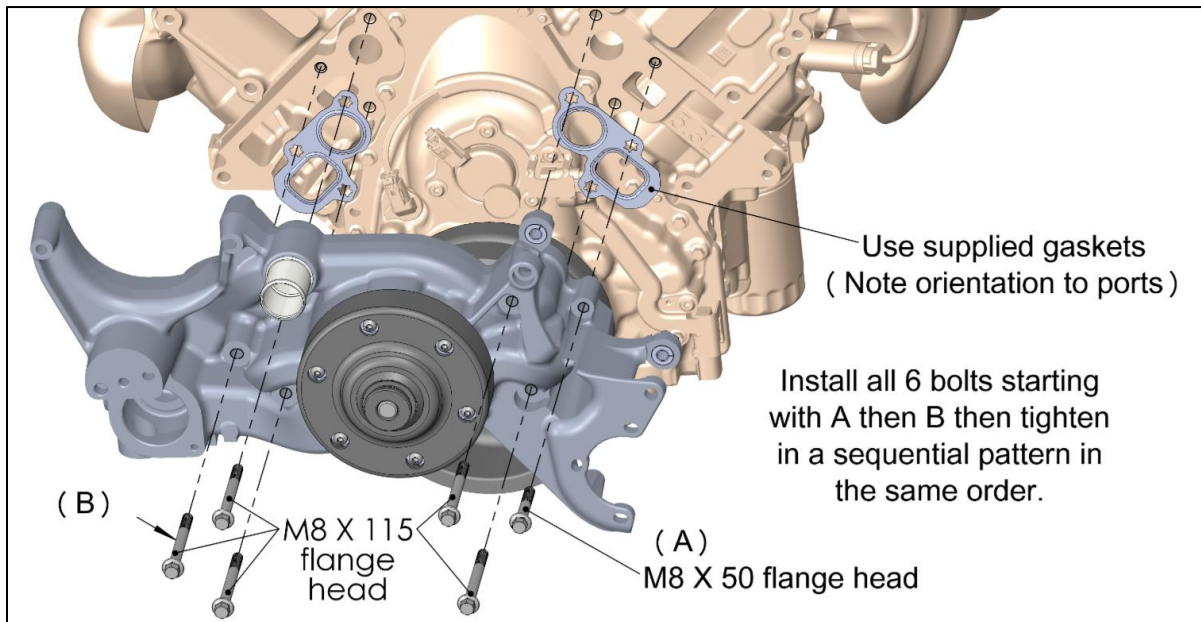
SFI certified damper and billet pulley



One-piece OE style damper/pulley

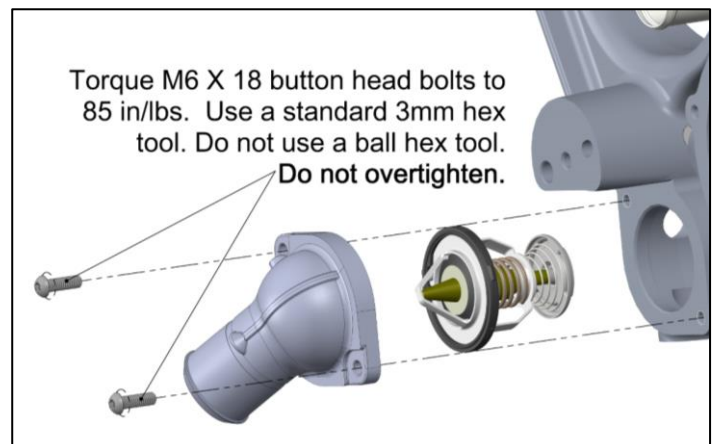
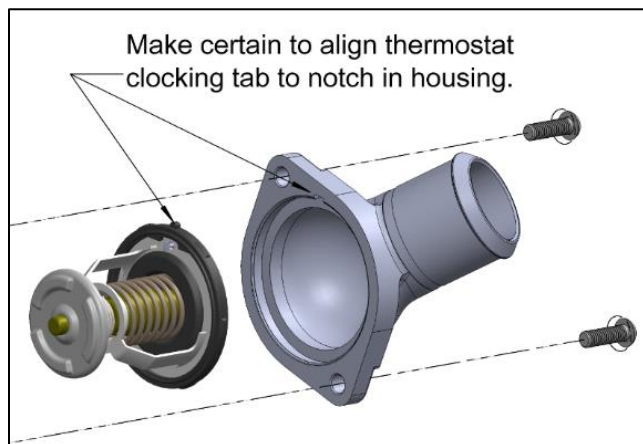


## Manifold Installation:

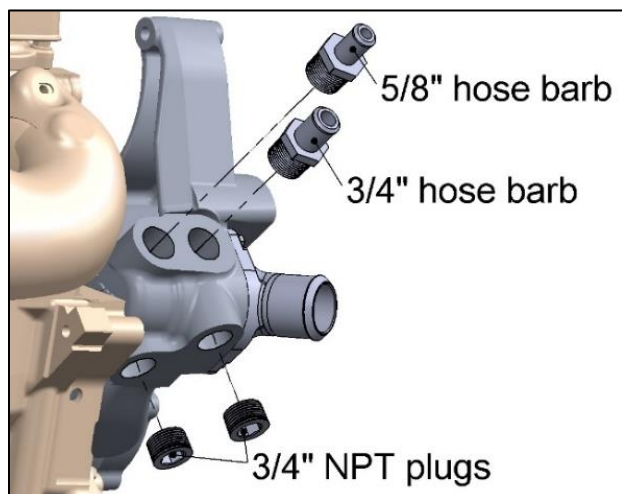


**NOTE:** Torque M8 bolts to 18 ft./lbs.

## Thermostat and Heater Hose Adapter Installation:



**WARNING:** Do not plug all heater passages. For safe LS/LT engine start up cooling this path must stay open. If not utilizing a heater core, install a jumper hose between the two barbs.



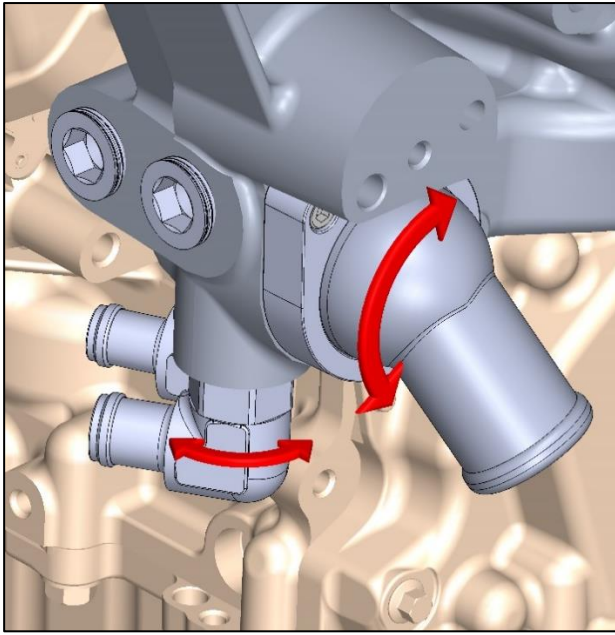
**Configurations:** On some swap applications there is not clearance for side heater hose outlets. There are optional bottom outlets for these applications.

**Assembly:** Install the smaller 5/8" barb on either the rear side or rear bottom port first, then the large 3/4" barb on either front port. Plug the unused ports.

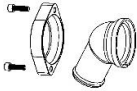



Use thread sealant (Loctite® brand 567 pipe thread sealant or equivalent). Install to finger tight then tighten 2 to 3 rounds.



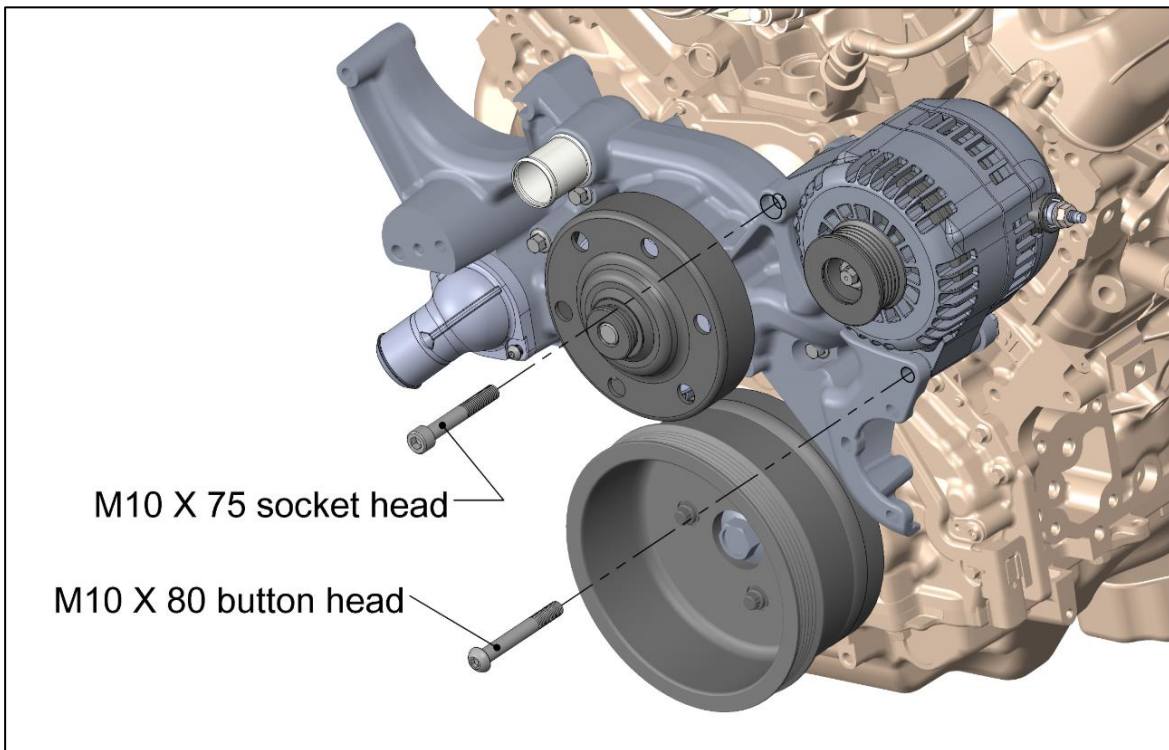
**Alternate Installation Option (additional parts required):**



For applications with interference on the passenger side, the shown swivel adapters are available (**not included**).

PICTURE	DESCRIPTION	MANUFACTURER & P/N
	Swivel Thermostat Housing	Mr. Gasket 2670 (chrome) 2670BK (black) 2670NA (natural)
	Early Style Thermostat (required for above)	Mr. Gasket 6368
	Swivel 90° 3/4" Barb 3/4" NPT	Earl's SS988412ERL
	Swivel 90° 5/8" Barb to 3/4" NPT	Earl's SS988409ERL

**Alternator Installation:**

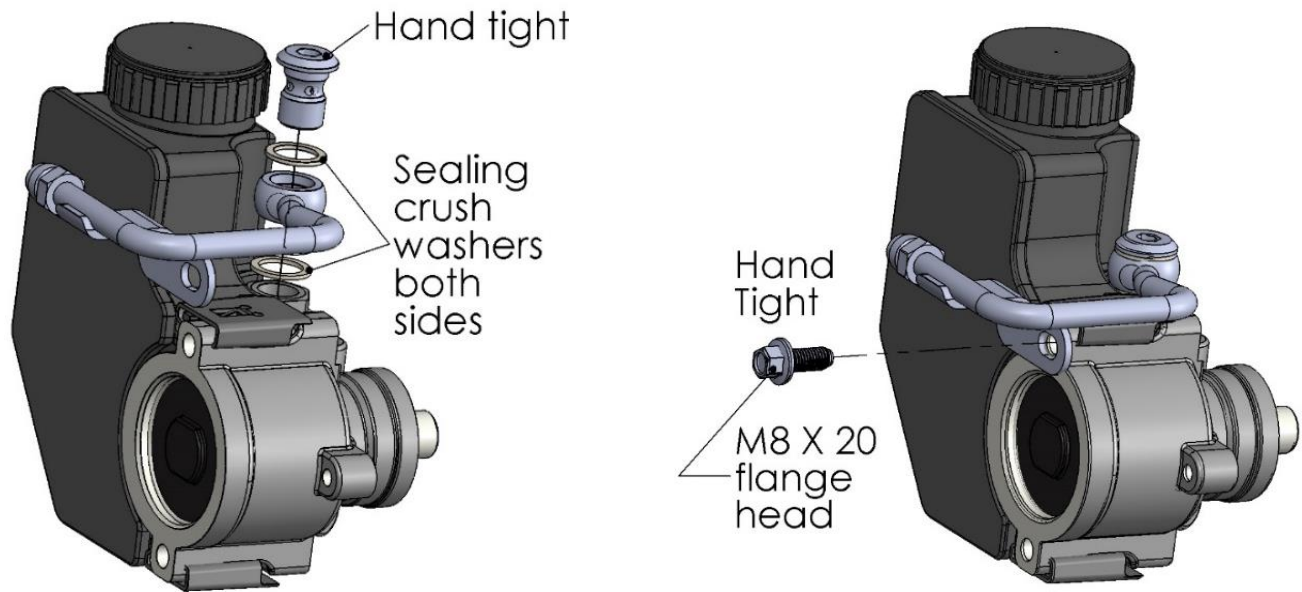


**NOTE:** Torque M10 bolts to 36 ft./lbs.

**ALTERNATOR WIRING:** See instructions included with the alternator for wiring directions.

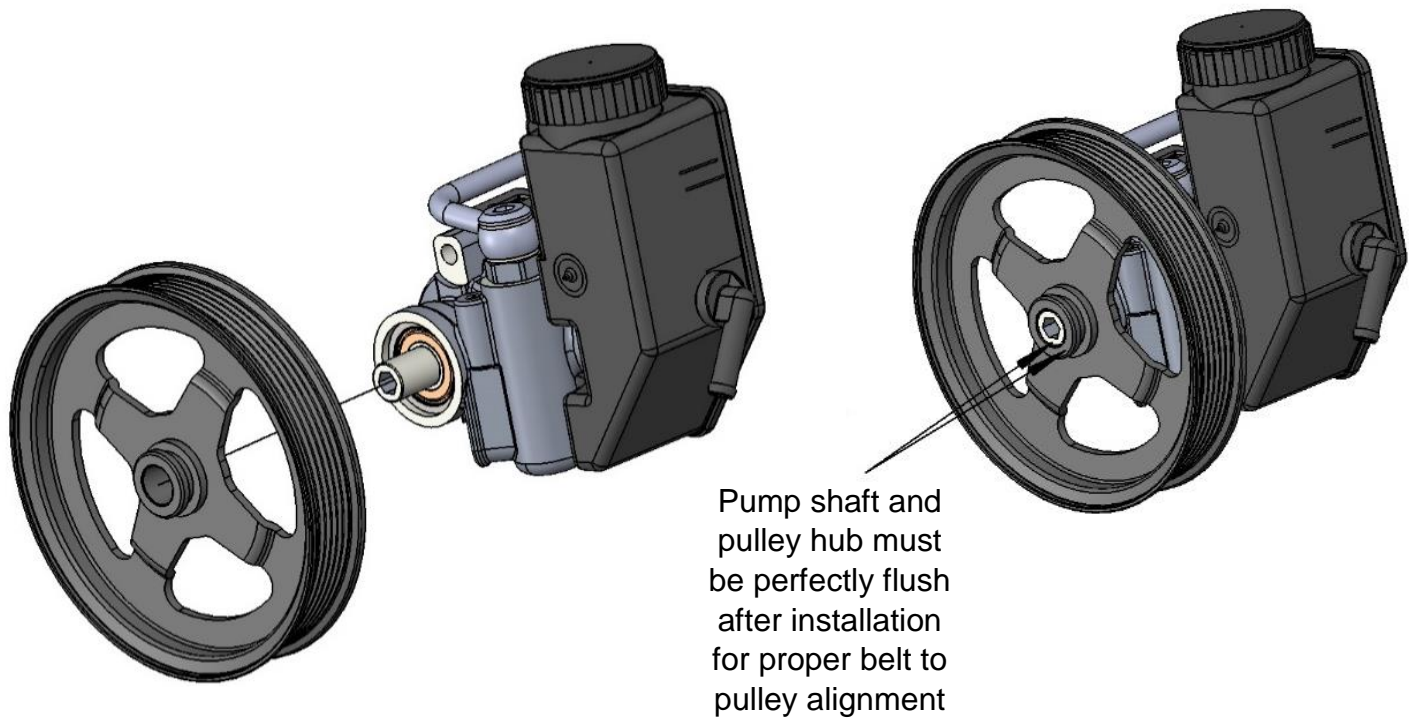


**P/S Pump -6 AN Adapter Assembly:**



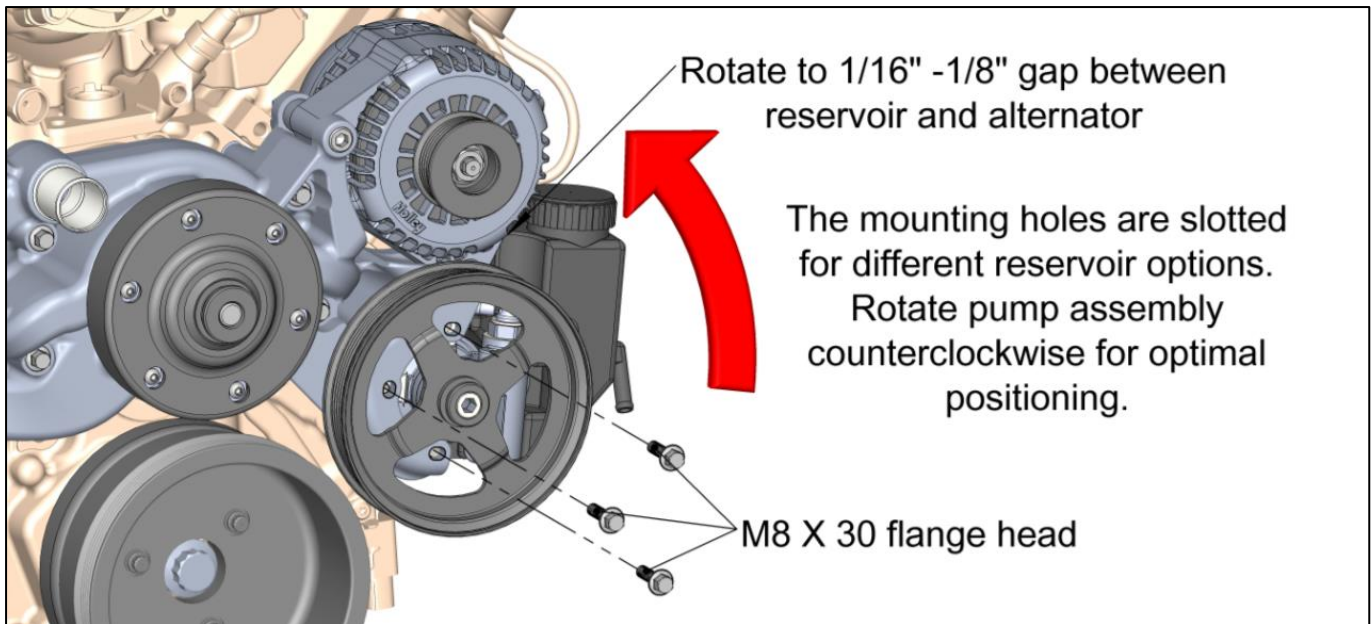
**NOTE:** After assembly torque M8 bolts to 18 ft./lbs. and banjo bolt to 25 ft./lbs.

**P/S Pump Pulley Installation:**



**HELPFUL HINT:** Pulley installation tools are available for rent at most auto parts stores.

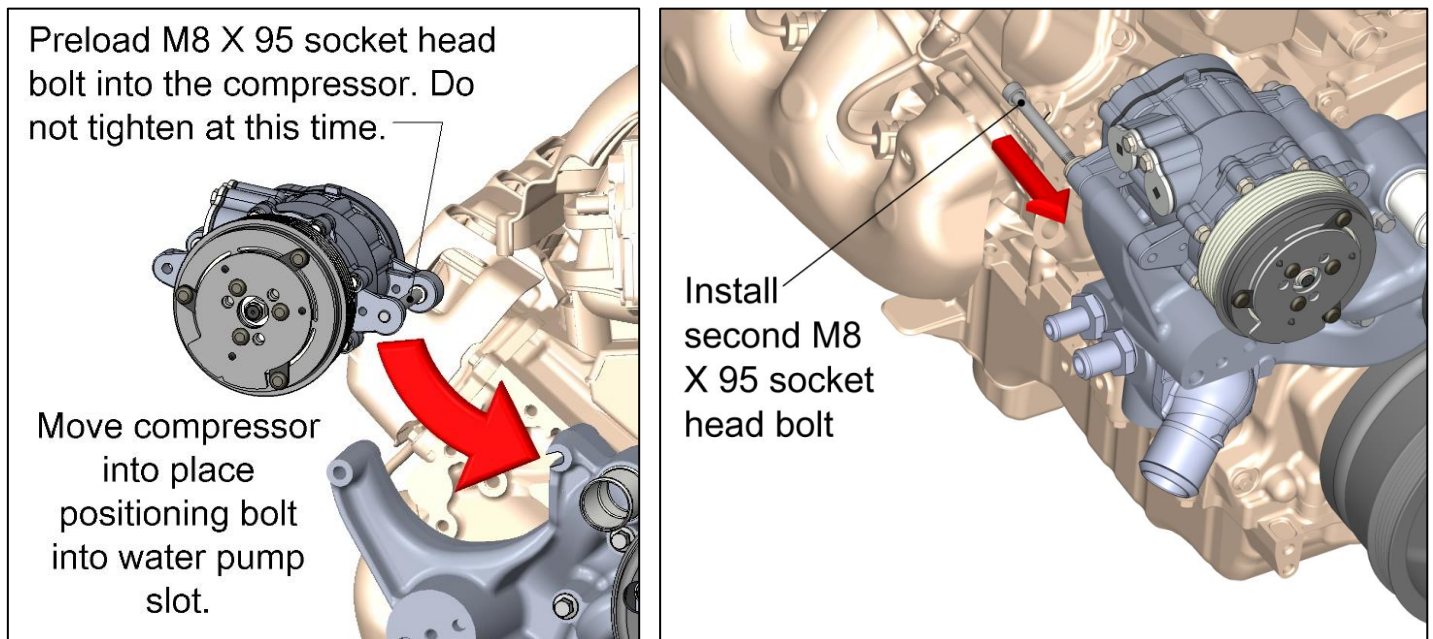
### ***P/S Assembly Installation:***



**NOTE:** Torque M8 bolts to 18 ft./lbs.

**HELPFUL HINT:** In some applications, the supplied reservoir may interfere with the vehicle. In these cases, a remote reservoir can be utilized. Holley P/S pump P/N 198-100 is best suited for use with remote reservoirs. Also, check the Holley website for additional reservoir alternatives.

### ***A/C Compressor Installation:***

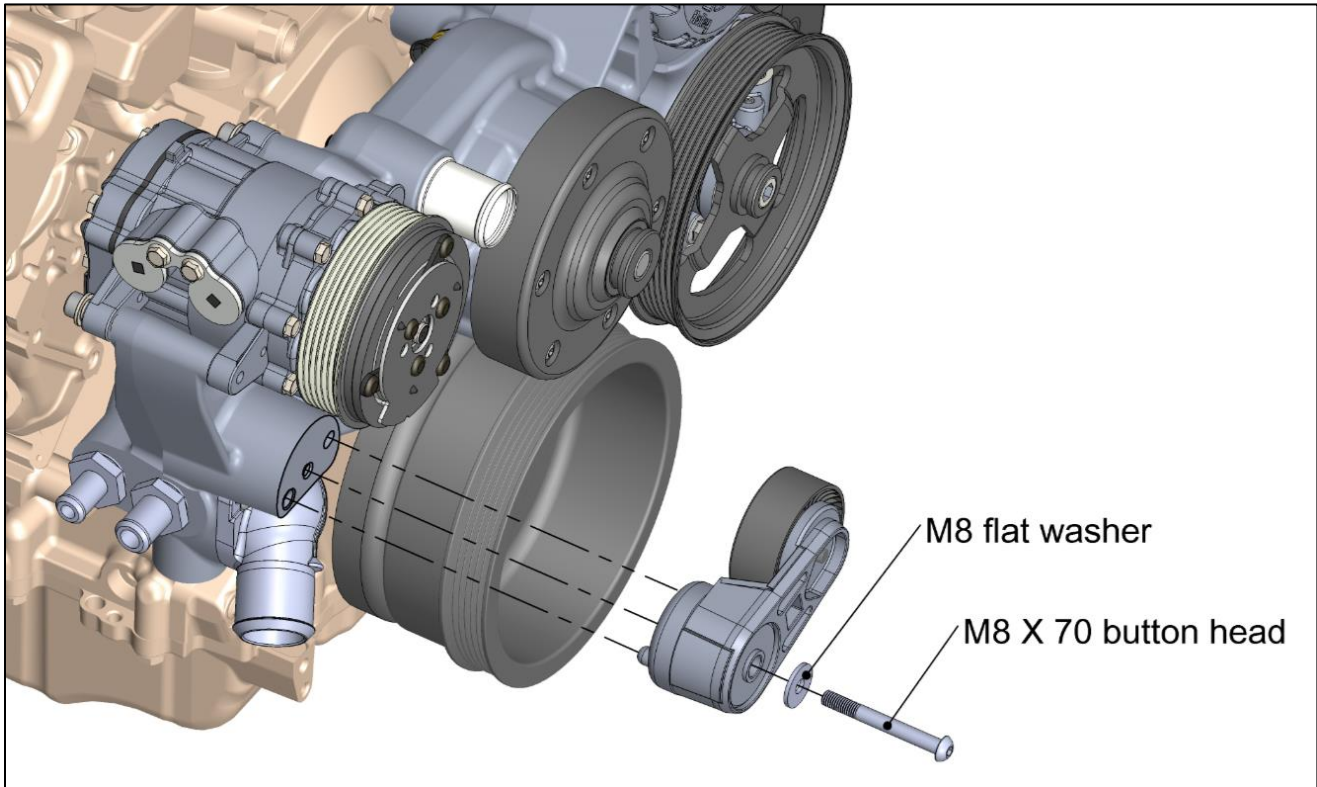


**NOTE:** After assembly torque M8 bolts to 18 ft./lbs.

**HELPFUL HINT:** For A/C adapters and fitting, see Vintage Air <http://www.vintageair.com/catalog.asp>

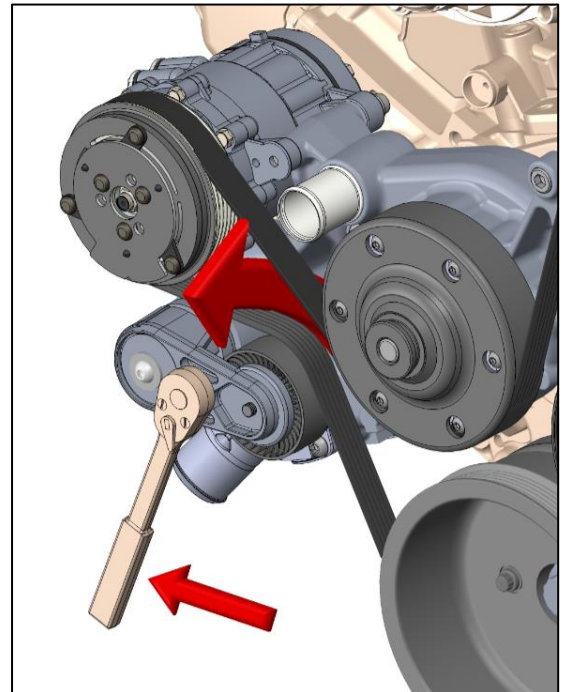
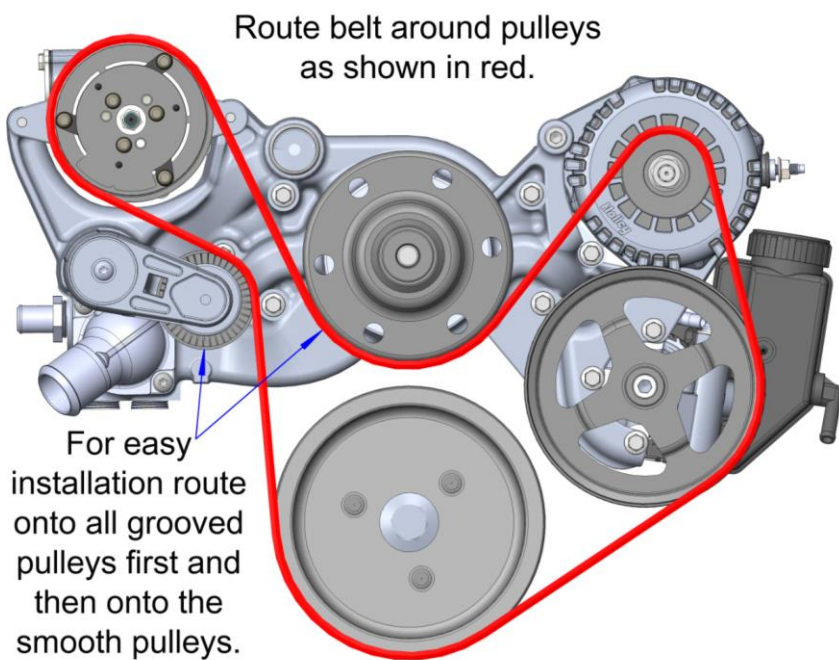


### **Tensioner Installation:**



**NOTE:** Torque M8 bolt to 18 ft./lbs.

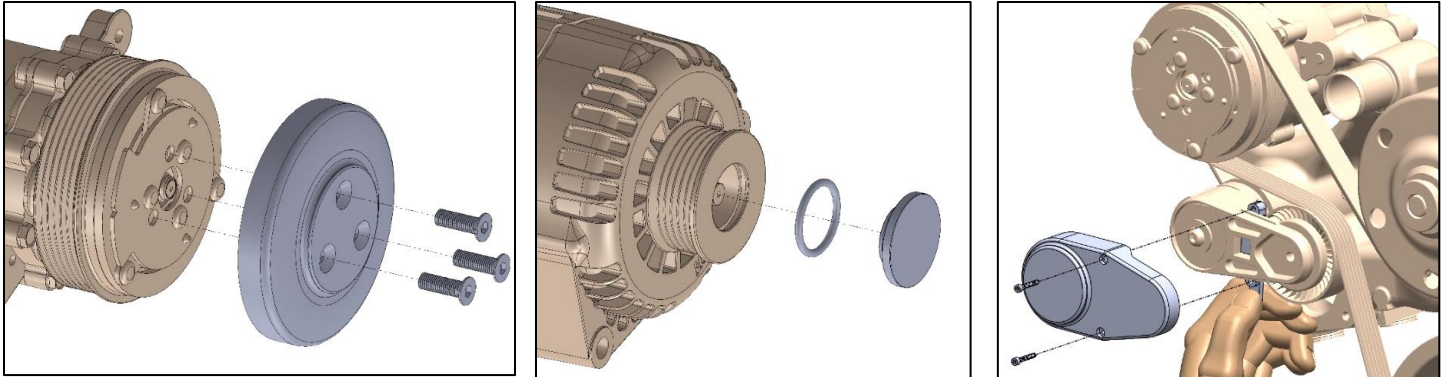
### **Belt Installation:**



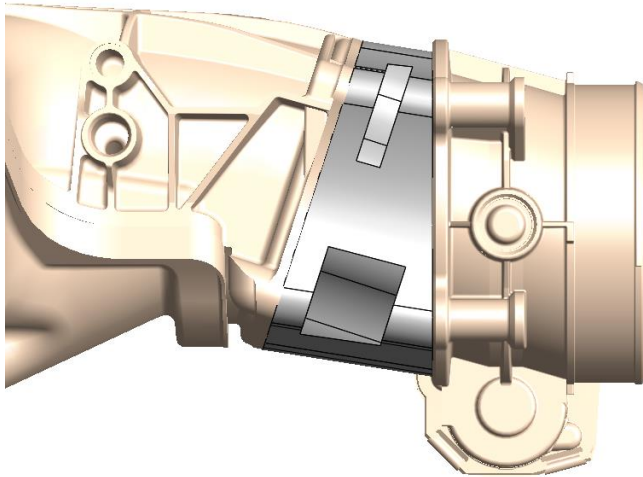
After routing the belt use a 1/2" square drive wrench to pull the tensioner all the way down and work the belt on from the rear.

### **Accessory and Tensioner Covers:**

*(Cosmetic covers are included with some kits. If not included, these can be purchased individually. See instructions included with cover for installation procedures)*



### **Throttle Body Angle Correcting Adapter (LT applications only):**



**NOTE:** The angle adapter is required when using an LT car style intake to prevent interference from the downward facing throttle body. See included instructions for installation procedures.

**Holley® Performance Products, Inc.**  
**1801 Russellville Road**  
**Bowling Green, KY 42101**

Technical Support: 1-866-464-6553  
Phone: 1-270-781-9741  
[www.holley.com](http://www.holley.com)

© 2017 Holley Performance Products, Inc. All rights reserved. Tous Droits Réservés.

**199R11335**  
**Revision Date: 10-16-18**