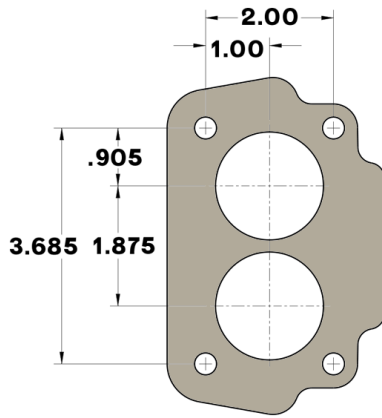
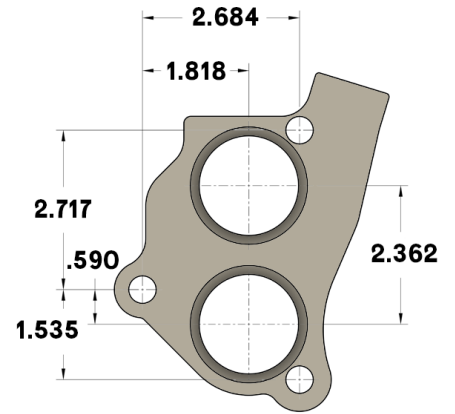


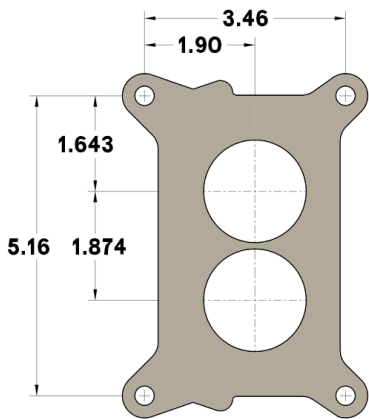
**BBD / 2GC SMALL BORE**



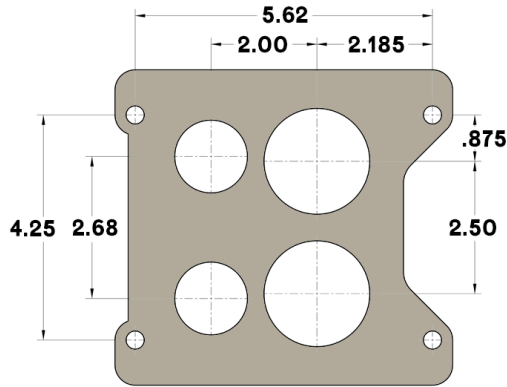
**2GC LARGE BORE**



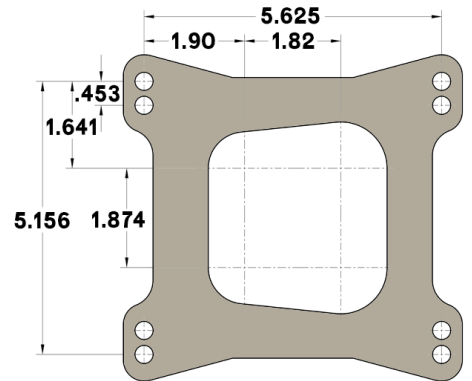
**GM 2-BBL (TBI)**



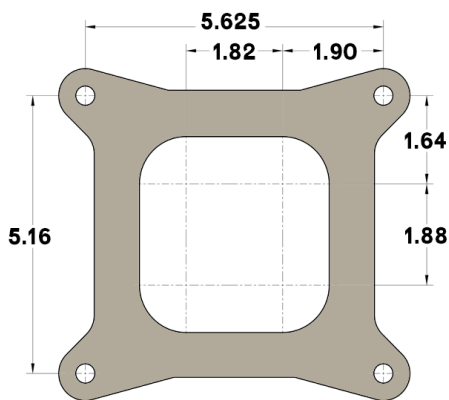
**HOLLEY 2300 2-BBL**



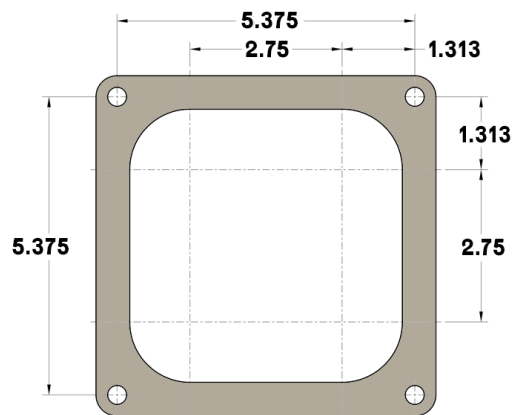
**SPREADBORE (4165/4175)**



**STREET DEMON**



**HOLLEY 4150/4160**



**HOLLEY 4500 (DOMINATOR)**

**CARBURETOR FLANGE GUIDE**

