

Before beginning read all instructions and check Bill of Materials

Bill Of Material		
Part No.	Description	Qty
M02285	Bushing	1
M02287	Bushing	10
M02787	Bushing	10
M02905	Bushing	1
S10104	Washer 3/8	22
S10349	Bolt 3/8-16x3.5" Hex	10

S10350*	Bolt 7/16-14 x 3.5" Hex	3
S10276	Steel Sleeve	10
S10012	Steel Sleeve	1

*Location 6 may use 7/16-14x3.5" bolts. Check the stock body bolts to determine which replacement bolts are to be used for your application.

1. PLASTIC RADIATOR FAN SHROUD: Only raise body high enough to remove and replace body mounts. Always watch the fan shroud for sufficient clearance when raising the body.
2. Loosen body mount bolts on one side of vehicle and remove bolts from opposite side for positions 1,5 and 6 (ref. Fig.1) and positions 2, 3 and 4. Use a long extension to remove mounts next to gas tank. Place 2x4 between jack and body to spread out load and jack up body on the side you have removed the bolts from just far enough to remove mounts. The bolts on the opposite side will help ensure that the body does not shift. **CAUTION:** Open Hood while jacking up the body to make sure that the fan doesn't hit the shroud. Also, watch that hoses and wires are not stretched. When lifting the side of the vehicle that the fuel filler is on keep a close eye not to stretch, tear or pull too far on the hose connection.
3. Remove factory mounts one at a time and insert the corresponding steel sleeves into the new body mounts.
4. Jack up the body using a 2x4 under one side of the body for support just high enough to insert new body lift spacers. If the steel collar on new mounts will not insert in frame holes, you may have to file out frame mount hole slightly to install spacer. Repeat on opposite side.
5. Now remove bolts from other side of vehicle and repeat instructions 2 through 4.
6. Once all new mounts are in place, you may re-torque all bolts to factory specs. Do not over tighten bolts.
7. Before starting engine, check fan for clearance of all lines and wires to make sure they are free and clear.

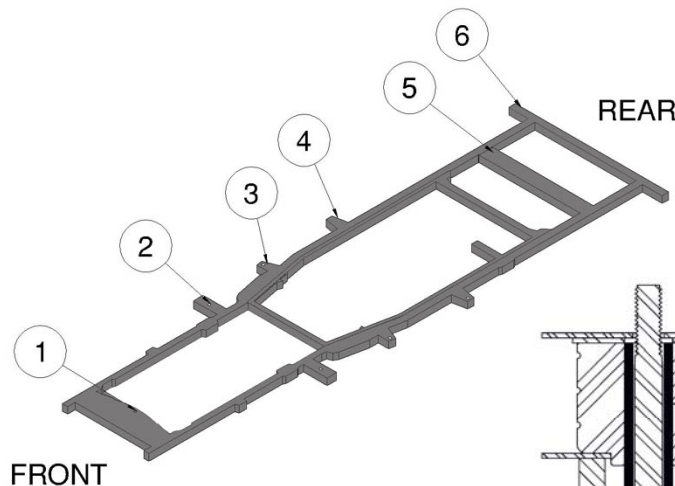
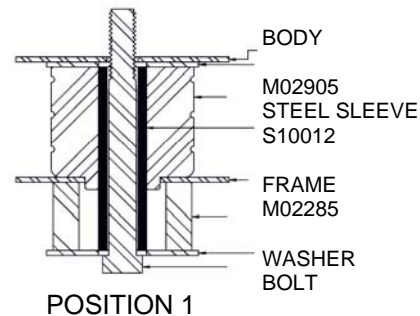
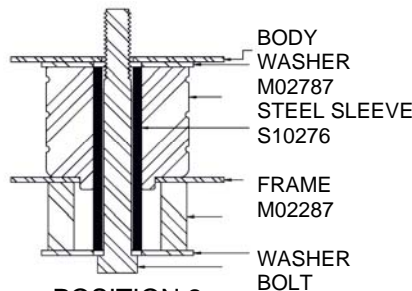


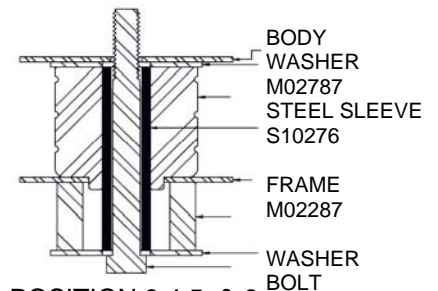
FIGURE 1



POSITION 1



POSITION 2



POSITION 3,4,5, & 6

WARNING

This vehicle has been modified to enhance its performance. The steering, braking and handling of this vehicle will differ from standard passenger cars and trucks, This vehicle handles differently from an ordinary vehicle in driving conditions which may occur on streets, highways and off road. Avoid unnecessary abrupt maneuvers, sudden stops, sharp turns and other driving conditions that could cause loss of control, possibly leading to a roll over or other accident that could result in serious injury or death to driver and passengers. If larger tires are installed the speedometer will read lower than the vehicles actual speed.

DRIVE WITH CARE, REDUCE SPEED AND WEAR SEAT BELTS AT ALL TIMES.

This kit should be installed by a professional mechanic.