



Thank you for being selective enough to choosing Dinan. The Dinan engineering team has spent many hours developing this product to assure that you will receive increased performance, durability and an aesthetic design that you as a customer will be able to enjoy for many years. Ease of installation and maintenance is important to us and has been highly considered throughout the design process.

Prior to performing the installation, familiarize yourself with these instructions as it should help you with the process. If you feel that you do not have the required skills or tools, please arrange for a qualified repair facility to perform the installation.

If you have any difficulties during the installation or if these instructions are not clear to you, please call Dinan's Technical Support Staff at (800) 341-5480.

Again, thank you for choosing Dinan. Enjoy.

Installation Instructions

D760-0054: F97 X3 M / F98 X4 M INTAKE KIT

Document Revision: A
Release Date: 10/12/2021

Vehicle List: 2019-2021 F97 X3M
2019-2021 F98 X4M

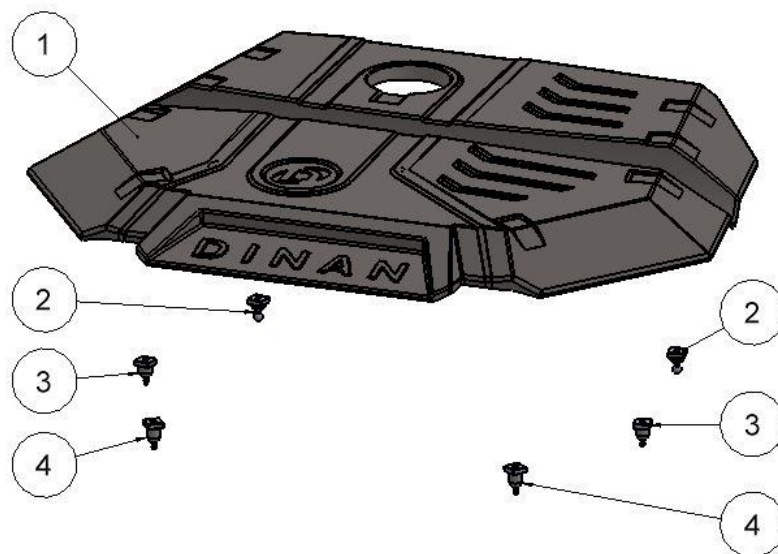
Table of Contents

Parts List	2
Tools Required	2
Removal of Stock System	3
Dinan Filter Installation	5
Dinan Cover Installation	6
Re-installation of components.....	7
Enjoy	7

Parts List

****Model view may not represent actual look of part. For reference only****

ITEM NO.	PartNo	DESCRIPTION	QTY.
1	D762-0253	LID	1
2	D763-0165	Assy, Magnet-Ballnose Standoff, F97 X3M	2
3	D763-0166	Assy, Magnet-Long Standoff, F97 X3M	2
4	D763-0167	Assy, Magnet-Short Standoff, F97 X3M	2



****This image does not include the filter set: D403-0007****

Tools Required

- 15 mm Hex Socket
- #2 Phillips Screw Driver
- T25 Torx Bit

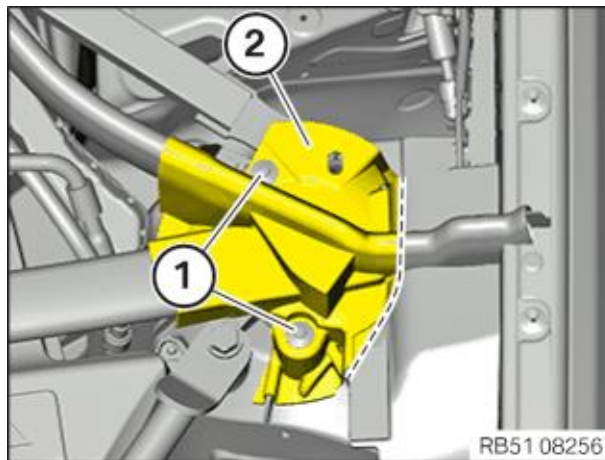
Removal of Stock System

Instructions described in this section refer to BMW manufacturer instructions.

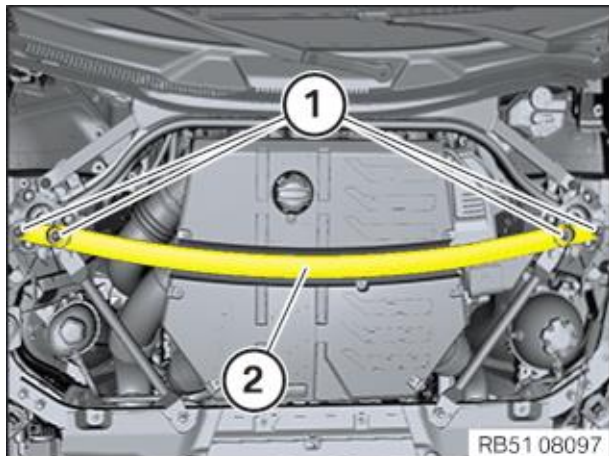
- 1) Remove the engine compartment covers on both left and right side.



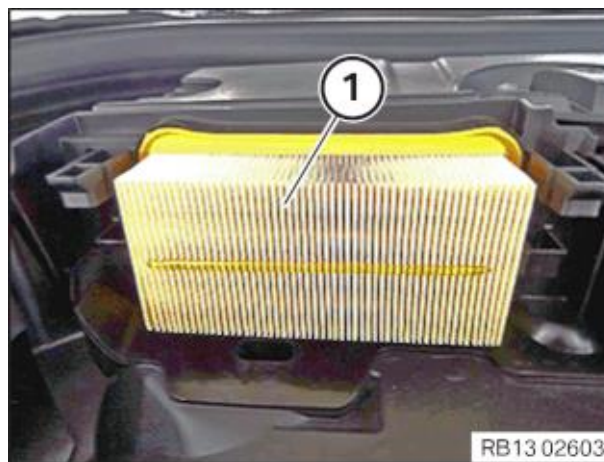
- 2) Remove the mounts of the hood seal on both left and right side.
 - a) Loosen and remove expanding rivets (will be re-used).
 - b) Fold aside along dotted line to allow for the removal of suspension strut brace.



- 3) Remove the suspension strut brace and engine cover.
- a) Loosen nuts and remove strut brace in upward direction (15 mm Hex Socket).
 - b) Remove the screws and cover from the intake system (T25 Torx Bit).



- 4) Remove the filters.
- a) Remove clip (1) securing the filter and frame. Remove frame (2).
 - b) Remove filter (1) and repeat for the 3 remaining filters.



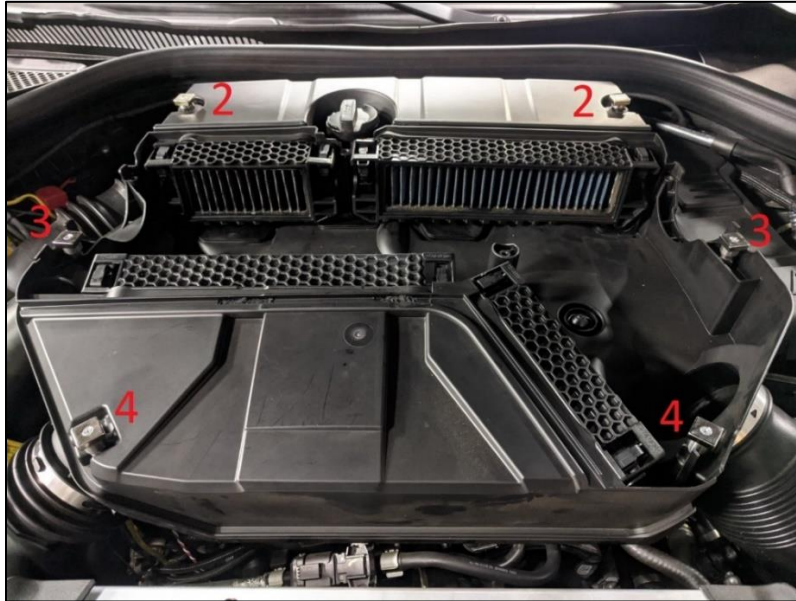
Dinan Filter Installation

- 1) Insert the 2 small and 2 large filters into the respective positions.
- 2) Re-install the frames and clips.



Dinan Cover Installation

- 1) Match the Item Number in the BOM referenced above to the numerical callouts in the image below. Ensure each part is in the correct position. Some mounting holes will not be re-used.
 - a) #2 is a ball nose end. Shall snap into the rear rubber grommets of the lower box.
 - b) #3 is the shorter threaded end magnet assembly.
 - c) #4 is the longer threaded end magnet assembly.



- 2) Using a #2 Phillips head screw driver, install the shorter and longer threaded magnet assemblies into the locations shown.
 - a) Tighten them slowly as these threads are going into plastic.
 - b) **DO NOT** over-tighten. Snug the bottom of the standoffs to the face of the plastic.
 - c) This position will set the correct height of the lid and allow for proper engagement.
 - d) *NOTE: There should be a small gap between the magnet and standoff. This allows the magnet to pivot to ensure proper alignment when installing the lid.



- 3) Place Dinan engine cover into place. You should hear an audible CLINK, CLINK, CLINK. This lid should self-align with the magnets. Small adjustments can be made if needed.



Re-installation of components

Refer to the section titled "Removal of Stock System" to re-install the following:

- 1) Suspension Strut Brace: Torque bolts (4) to factory recommendations: 30 Nm (22 ft-lbs)
- 2) Replace BMW expanding rivets.
- 3) Secure and lock down engine bay covers.

Enjoy

Installation is now complete. Clean the carbon fiber with a microfiber cloth and ensure all tools are removed from engine compartment prior to closing the hood.