



COLD AIR INTAKE INSTALLATION INSTRUCTIONS

PART NUMBER D760-0046

APPLICATION:	2017-19	F22 M240i & xDrive
	2017-19	F23 M240i & xDrive Convertible
	2016-18	F30 340i & xDrive
	2018-19	F34 340i xDrive Gran Turismo
	2017-19	F32 440i & xDrive
	2017-19	F33 440i & xDrive Convertible
	2017-19	F36 440i & xDrive Gran Coupe

Congratulations for being selective enough to use a Dinan Cold Air Intake Kit. We have spent many hours developing this kit to assure that you will receive maximum performance and durability with minimum difficulty in installation. Please take the time to read these instructions and call us if you have any difficulties during the installation.

Please take the time to read these instructions thoroughly before proceeding. When performing the installation, read the entire numbered instruction before working on the car. If you feel that you do not have the requisite skill, please arrange for a qualified repair facility to perform the installation.

If you have any difficulties during the installation, or if these instructions are not clear to you, please call Dinan's Technical Support Staff at (800) 341-5480.

Note: If the car has been driven recently or been sitting out in the sun, it's best to let the engine and engine bay cool down for approximately 10 minutes to avoid possible burns while installing the Dinan Cold Air Intake.

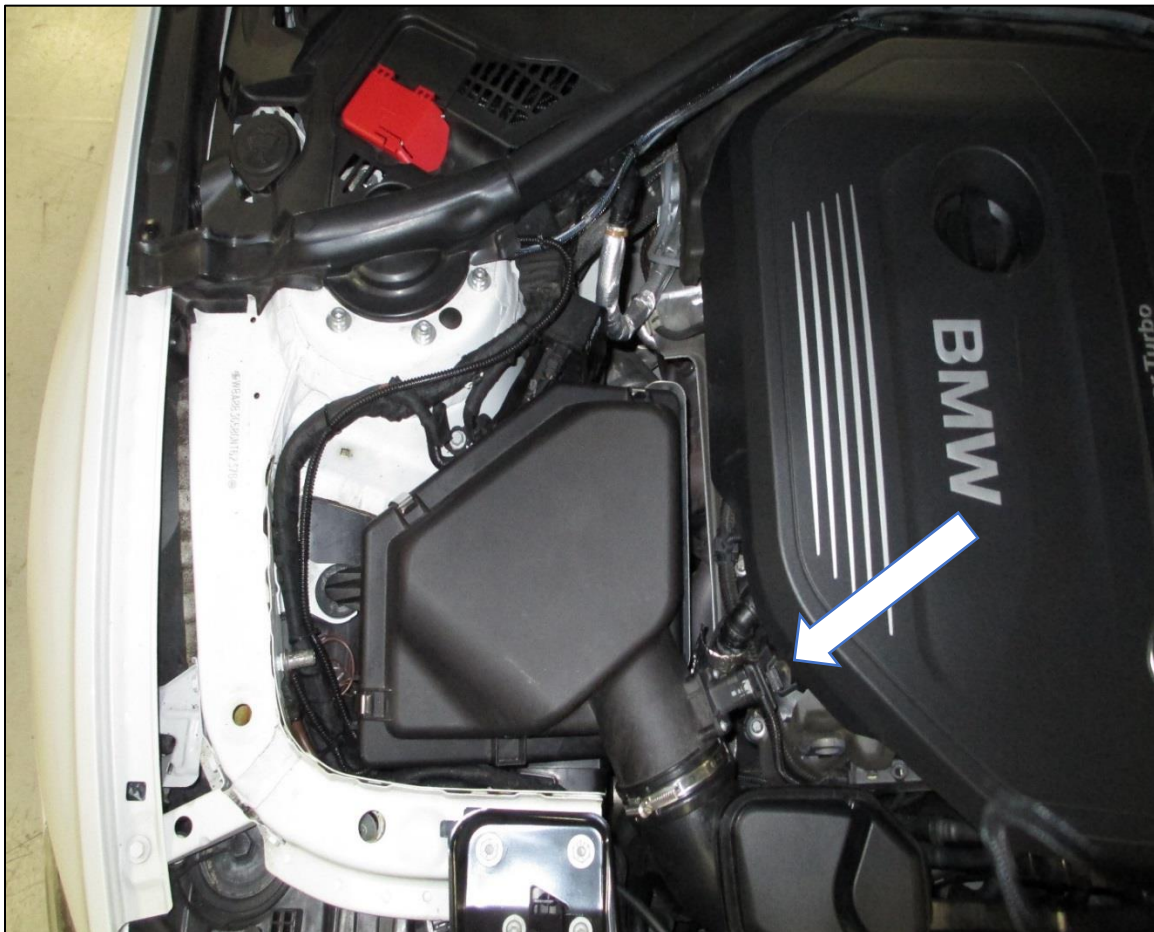
PARTS LIST

Qty	Part #	Description
1	D762-0213-G	Airbox Lid
1	D762-0214	Air Flow Meter
1	D762-0215-G	Intake Tube
1	D340-0433	Silicone Hose; AFM
1	D340-0434	Silicone Hose; Turbo Inlet
1	D401-0025	Air Filter
1	D763-0091	Hardware Kit



INSTALLATION:

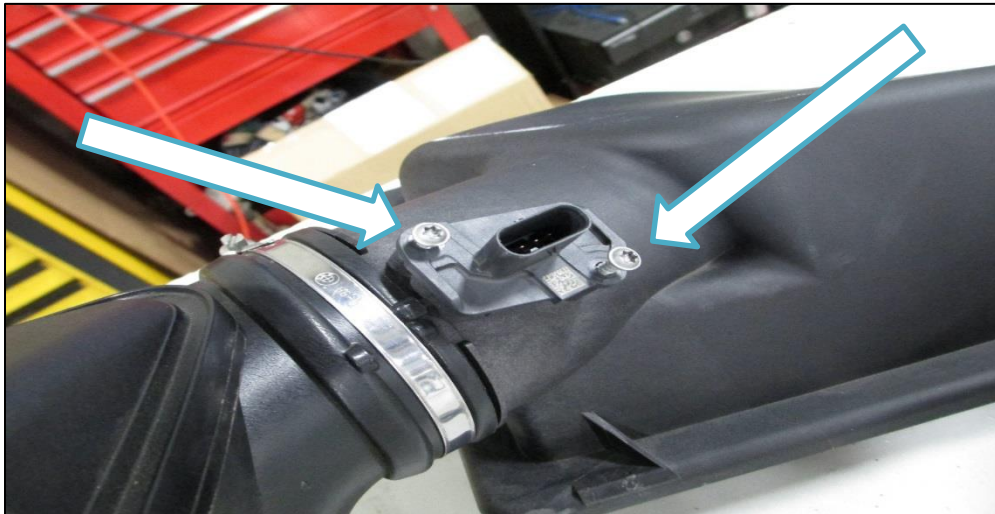
- I. Unclip the air mass meter sensor harness from the sensor. By pushing down and back on the small grey tab, the clip should release with an audible “click”.



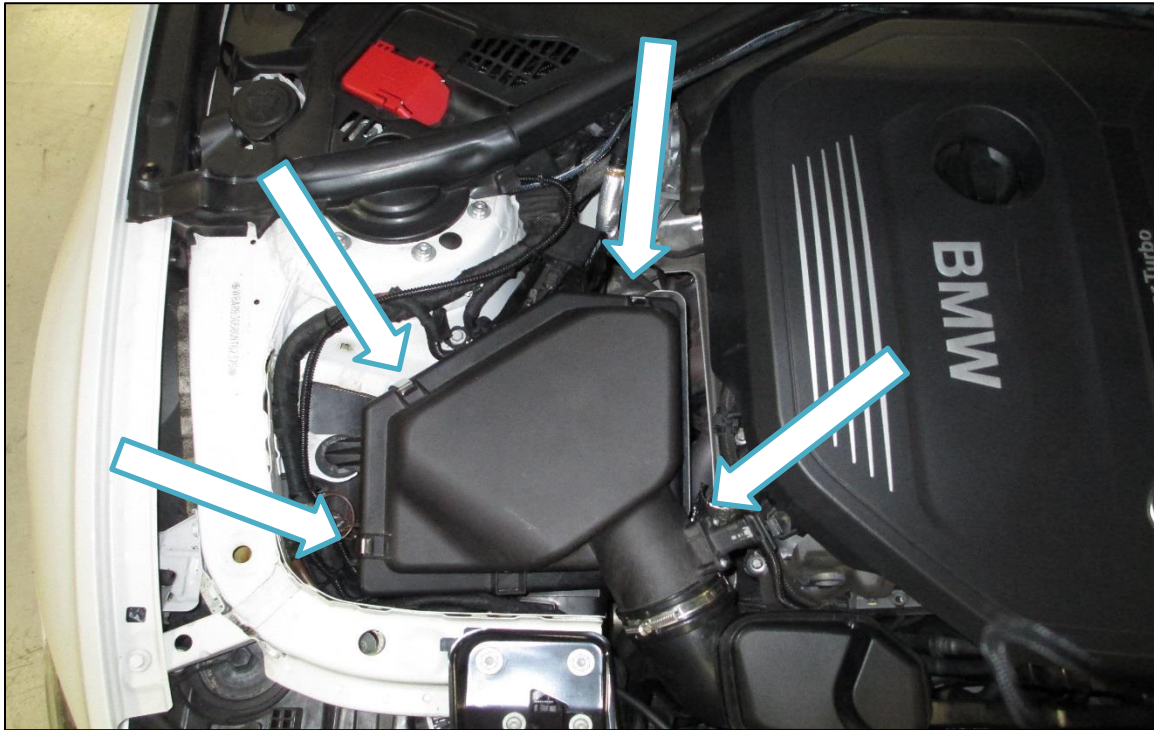
2. Depress the grey tab to release the connector, and detach from the sensor. Move the harness aside.



3. Use a Torx tool to remove the two screws holding the sensor in place and remove the sensor. Do not drop or damage the sensor as it is very fragile. Set sensor aside. It will be reinstalled later.



4. Release the four clips holding the airbox lid in place.



5. Follow the outlet of the airbox, down to the hose clamp near the turbocharger inlet. Loosen this hose clamp. A long extension and universal joint would be very helpful with this step.

Note: If accessing this clamp is difficult, and additional clearance is needed, you may release the hose clamp by the air flow sensor and remove the upper airbox lid. If further clearance is needed, you may remove the lower airbox by tugging upwards.

- Lift upward to remove the airbox lid and intake tube together.

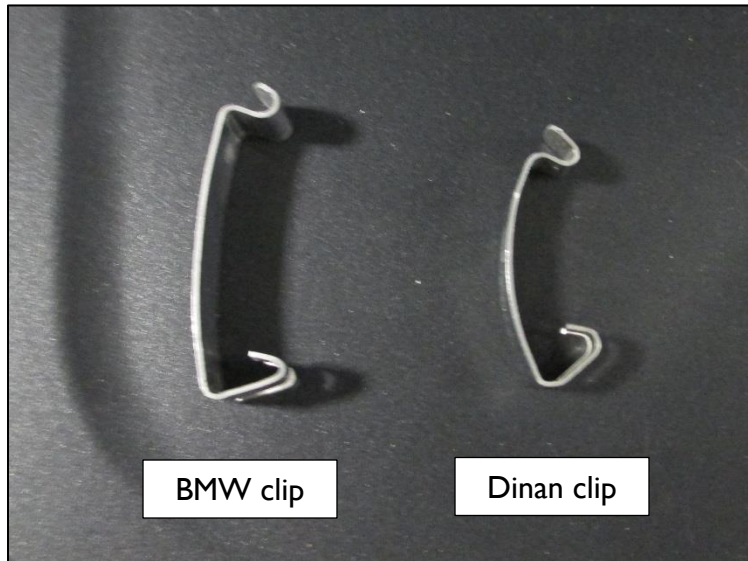


- WARNING** – the turbocharger inlet is now exposed. Items which fall inside can cause severe damage to the turbo! Be sure to place a rag or towel in the inlet to protect the turbo.



- Remove the original air filter from the lower airbox. This filter will not be reused.

9. The spring clips which held the stock airbox lid will not work with the Dinan intake. Locate the new clips included with the intake kit. The BMW clips are larger and wider, than the Dinan clips.



10. Remove the stock spring clips from the lower airbox. Simply bring the clip towards the airbox and push straight down as illustrated below.





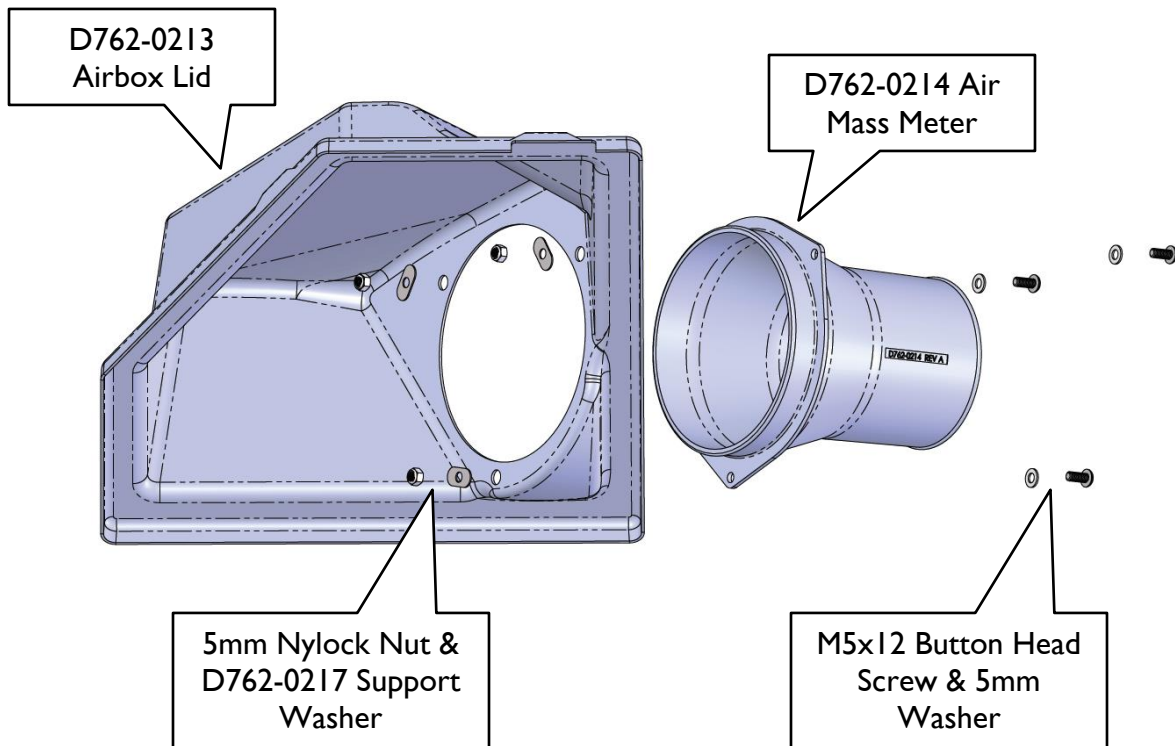
11. Install the Dinan spring clips into the lower airbox. The lower airbox should look like this:



12. Clean out the track around the outside of the lower air box. Insert the adhesive gasket strip into the track after cleaning. Peel off the adhesive backing, install, and trim as needed to fit.



13. Referring to the figure below, attach the Dinan air mass meter to the carbon airbox lid using the 5mm bolts, round & rectangular washers, and nuts as shown. The air mass meter only fits one way.



14. Attach the Dinan air filter to the air mass meter using the large #80Z hose clamp.



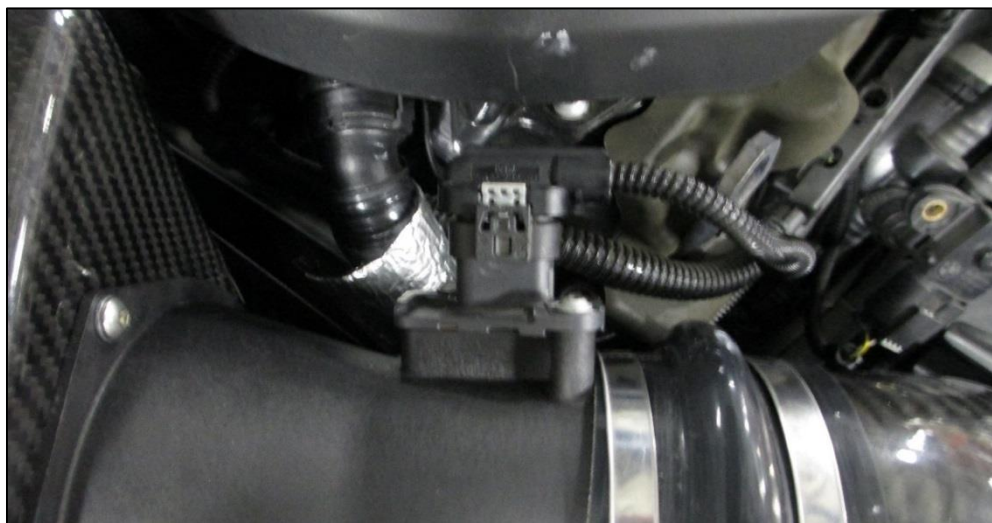
15. Attach the Dinan intake tube and silicone hoses using the included hose clamps as shown below. Leave the hose clamps slightly loose for now, so the intake tube can be adjusted into position later.



16. Remove the rag from the turbocharger inlet, and install the Dinan intake into the vehicle. Adjust positioning of the intake tube to best clear the radiator bracketry (see below).



17. Secure the airbox lid with the 4 spring clips.
18. Tighten the hose clamps at the silicone hoses.
19. Install the stock sensor into the Dinan air mass meter with the stock screws.
20. Reconnect air mass meter wiring and secure the grey lock.



21. Installation is now complete. Happy Motoring!

PARTS LIST

<u>Qty</u>	<u>Part Number</u>	<u>Description</u>
1	D763-0091	Hardware Kit
	Contains:	
2	#48Z	9mm Clamp
2	#64Z	9mm Clamp
2	#80Z	9mm Clamp
4	13 71 1 707 044	Spring Clip
3	D671-0166	M5 Button Head
3	D762-0217	Support Washer; M5
1	D763-0092	Gasket
3		M5 Flat Washer
3		M5 Nylok Nut
