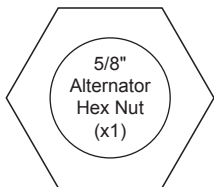
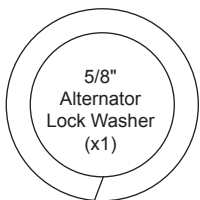




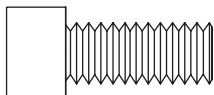
FM3110PC SBC Serpentine Pulley Kit - LWP

ALTERNATOR PULLEY

4-40 x 3/8"
Socket Head
Cap Screw (x3)

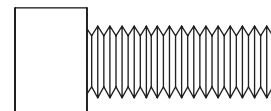


WATER PUMP PULLEY

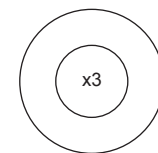


5/16-24 x 3/4" Socket Head Cap Screw (x4)

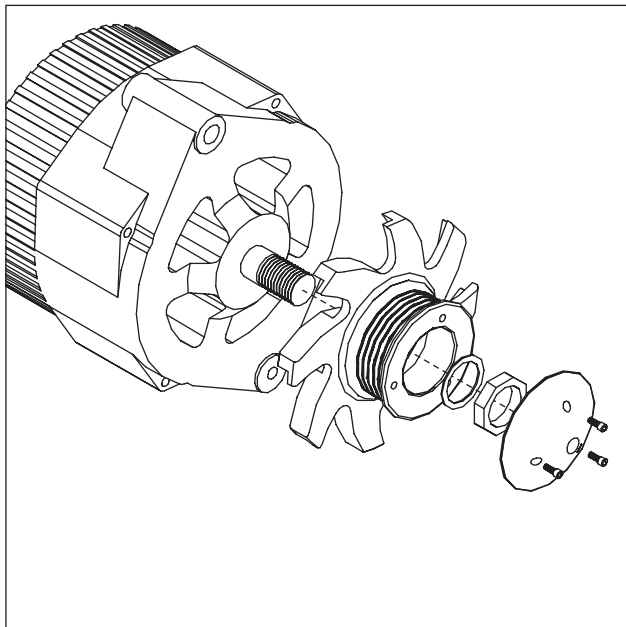
CRANKSHAFT PULLEY



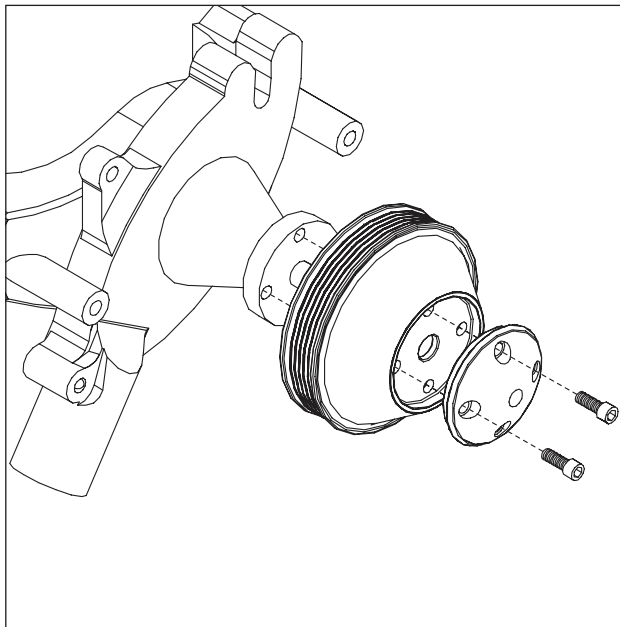
3/8-24 x 1" Socket Head Cap Screw (x3)



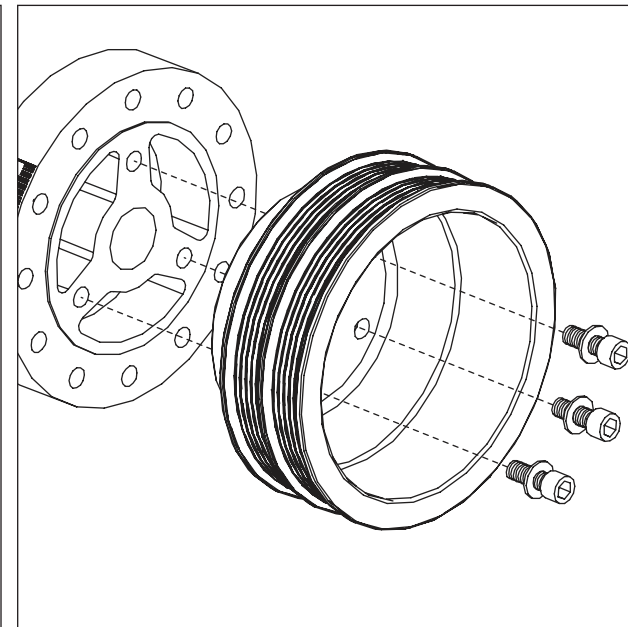
3/8" Belleville Washer



Tools Required:
3/32" Allen wrench
15/16" Socket



Tools Required:
1/4" Allen wrench



Tools Required:
5/16" Allen wrench

