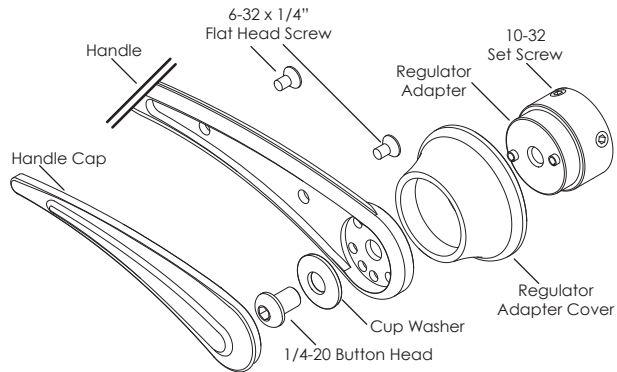


**PROFILE COLLECTION
DOOR HANDLES / WINDOW & VENT CRANKS**



**PROFILE COLLECTION
DOOR HANDLES / WINDOW & VENT CRANKS**

Tools Needed:

5/64" Allen Wrench • 3/32" Allen Wrench • 5/32" Allen Wrench

1. Place regulator adaptor on shaft & tighten 10-32 set screws with a 3/32" Allen wrench. Adapter should be indexed at this time for handle positioning.

2. Install regulator adaptor cover.

3. Index handle at one of the four positions and install the 1/4-20 button head cap screw with cup washer and tighten with a 5/32" Allen wrench.

4. Place handle cap on handle. Support handle cap & thread two 6-32 x 1/4" flat head screws through back of handle into cap.

**TIP: Start with your finger & finish with a 5/64" Allen key.
DO NOT OVERTIGHTEN!**