



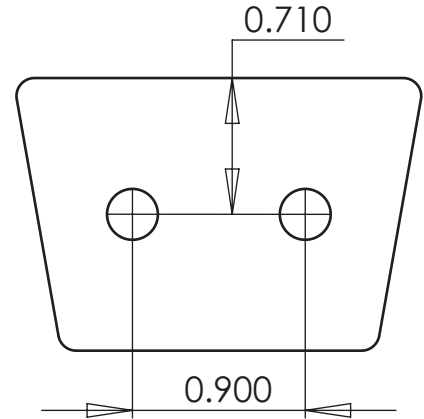
## 1967 - 1969 Camaro / Firebird E-Brake Pedal #199660 / #199665

1. Remove rubber cover from pedal
2. Cut out template and apply spray adhesive to the back, align template with pedal and attach.
3. Center punch the pedal in the center of the holes marked on the template.
4. Drill 3/32" pilot holes in each center punch, follow by drilling with 5/16" drill bit.
5. Install 1/4"-20 socket set screws into billet pedal cover, then attach washer and lock nut. Depending on OE variances in manufacturing only one nut and wash may be used.
6. In addition to the 1/4"-20 studs with nuts - four (4) button head screws are provided to secure the billet pedal cover also. Thread the four 10-32 button head cap screws into the back of the billet pedal and tighten firmly.

**Due to multiple sources used by the auto manufacturer, some pedals may have to be trimmed for the pedal cover to fit properly.**

### Tools Needed:

- 1/8" allen wrench
- 3/32" drill bit
- 5/26" drill bit
- Center Punch
- 7/16" wrench
- Spray adhesive



## 1967 - 1969 Camaro / Firebird E-Brake Pedal #199660 / #199665

1. Remove rubber cover from pedal
2. Cut out template and apply spray adhesive to the back, align template with pedal and attach.
3. Center punch the pedal in the center of the holes marked on the template.
4. Drill 3/32" pilot holes in each center punch, follow by drilling with 5/16" drill bit.
5. Install 1/4"-20 socket set screws into billet pedal cover, then attach washer and lock nut. Depending on OE variances in manufacturing only one nut and wash may be used.
6. In addition to the 1/4"-20 studs with nuts - four (4) button head screws are provided to secure the billet pedal cover also. Thread the four 10-32 button head cap screws into the back of the billet pedal and tighten firmly.

**Due to multiple sources used by the auto manufacturer, some pedals may have to be trimmed for the pedal cover to fit properly.**

### Tools Needed:

- 1/8" allen wrench
- 3/32" drill bit
- 5/26" drill bit
- Center Punch
- 7/16" wrench
- Spray adhesive

