



## Full Size Chevy Replacement Gas Pedal #199240/ #199245

### Applications:

- '58 - '64 Bel Air, Biscayne, Impala
- '64 - '67 Nova, Chevelle, El Camino

### Tools Needed:

- 1/16" Allen Wrench
- 5/32" Allen Wrench
- 1/2" Deep Well Socket
- Loc-tite® Thread Locker

1. Remove factory gas pedal from floor.

2. Remove ball studs from floor.  
Spray penetrating oil on threads and let soak.  
Use a 1/2" deep well socket to engage hex at bottom of ball stud to remove.

3. Vacuum carpet/floor area around gas pedal location to remove debris and ensure a clean mounting area.

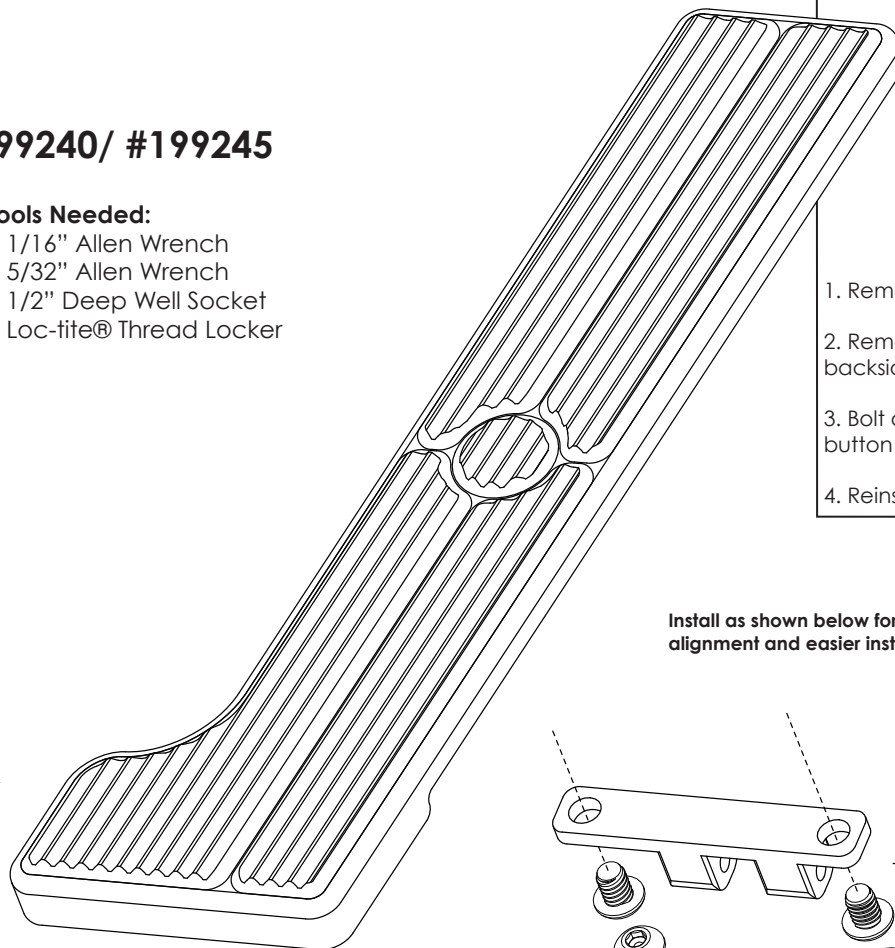
4. Apply Loc-Tite® thread locker on the threads of the two 1/4-20 x 1" button head cap screws.

5. Install lower bracket and pedal return spring as shown to the vehicle floor with the two 1/4-20 x 1" button head cap screws. Tighten firmly.

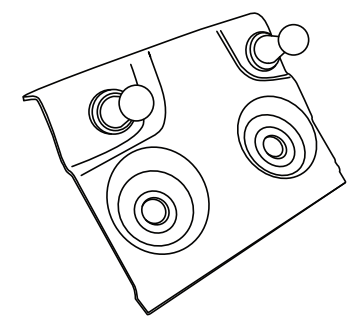
6. Place replacement pedal on floor and attach by inserting the hinge pin as shown through the holes in the upper and lower brackets.

7. Apply Loc-Tite® thread locker on the threads of the 6-32 x 1/8" set screw and install into the lower bracket; locking hinge pin into position. Tighten firmly.

8. Check pedal action, make sure pedal moves freely and does not bind.



Some vehicles may have a gas pedal mounting plate like the one shown below



1. Remove screws that attach plate to floor.
2. Remove ball studs from plate by drilling out the backside of the ball stud attachment.
3. Bolt assembled pedal to plate using 1/4-20 x 1/2" button head cap screws and lock nuts (not included).
4. Reinstall plate with pedal to floor.

Install as shown below for correct alignment and easier installation.

