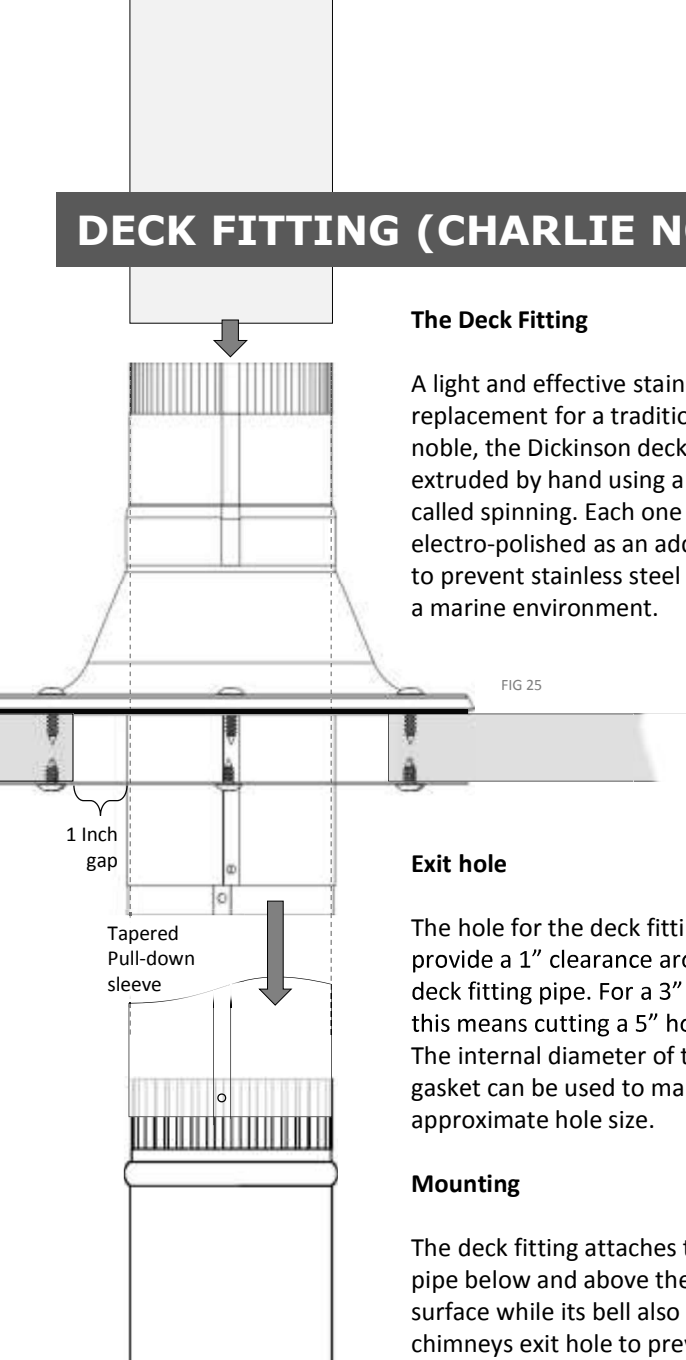


DECK FITTING (CHARLIE NOBLE) INSTALL

The Deck Fitting

A light and effective stainless steel replacement for a traditional charlie noble, the Dickinson deck fittings are extruded by hand using a process called spinning. Each one is then finely electro-polished as an added measure to prevent stainless steel corrosion in a marine environment.

FIG 25



Exit hole

The hole for the deck fitting must provide a 1" clearance around the deck fitting pipe. For a 3" chimney, this means cutting a 5" hole. The internal diameter of the rubber gasket can be used to mark the approximate hole size.

Mounting

The deck fitting attaches to chimney pipe below and above the deck surface while its bell also seals the chimneys exit hole to prevent water entry.

Install deck fitting first

The deck fitting should be installed prior to the construction of the chimney. It will be far easier to attach the chimney to the deck fitting this way. Once the deck fitting is installed, a tapered stainless sleeve pulls down from the deck fitting to make the pipe easy to line up and attach.

Tighten hardware evenly

Fasten down the deck fitting using the screws provided by slowly tightening them in turn to evenly press the bottom of the deck flange into the rubber gasket to create a seal. DO NOT pre-drill holes through the rubber gasket! It may cause it to leak – screw the hardware right through the gasket material.

Crimped termination accepts pipe sections, cap or rain cover.

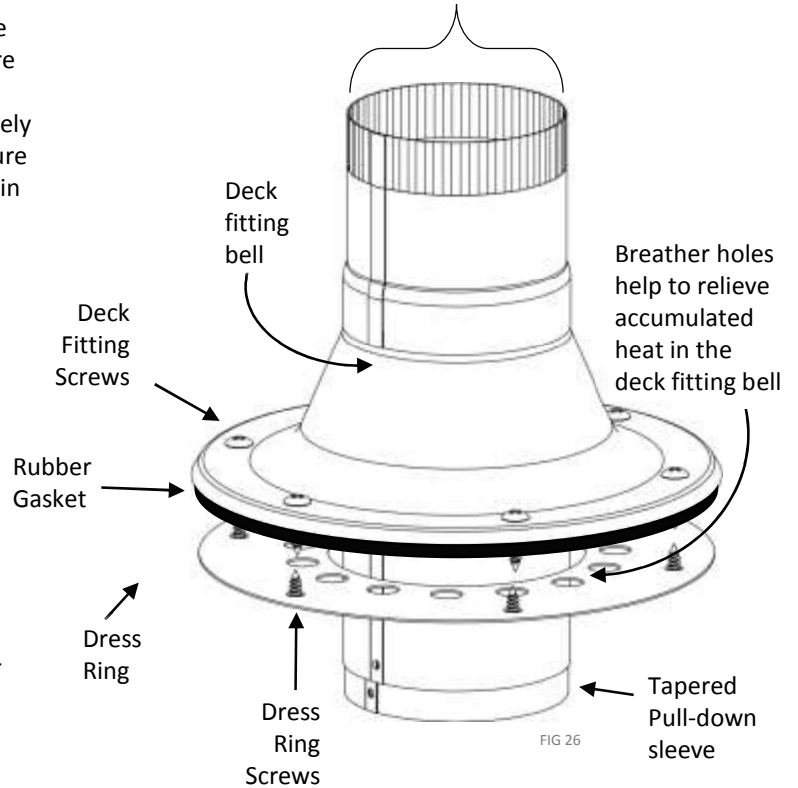


FIG 26

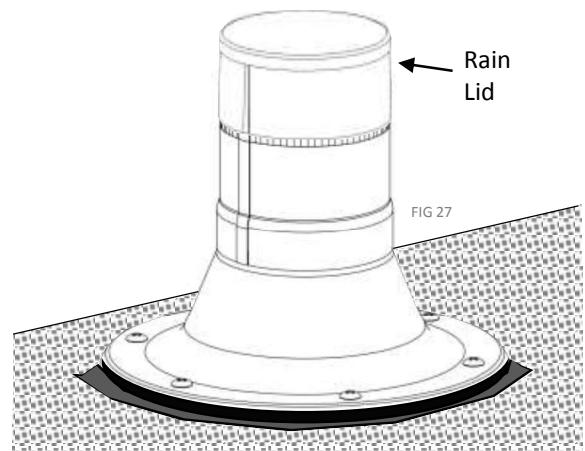


FIG 27

Sealant or no sealant?

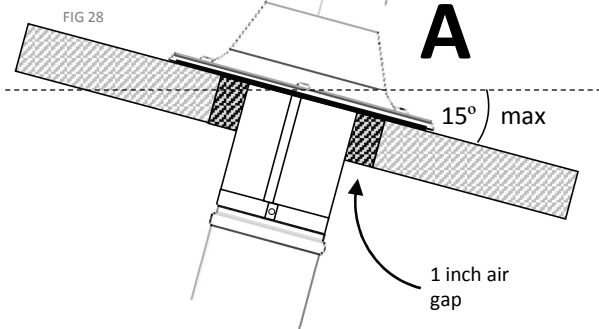
Heat and weather resistant sealant is recommended for installs on textured or rough surfaces where the rubber gasket makes incomplete contact with a roof's surface (fig 27) On smooth surfaces, a properly installed rubber gasket alone can provide a sufficient seal.

DECK FITTING (CHARLIE NOBLE) INSTALL Cont'd

The Dickinson Deck Fitting

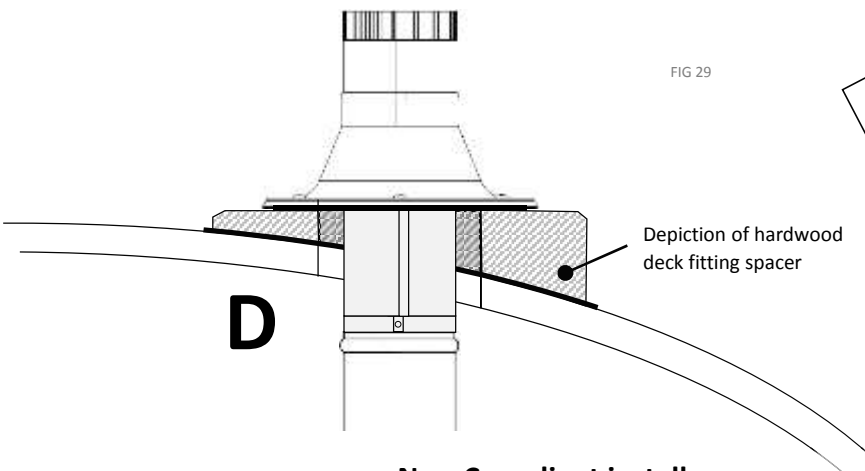
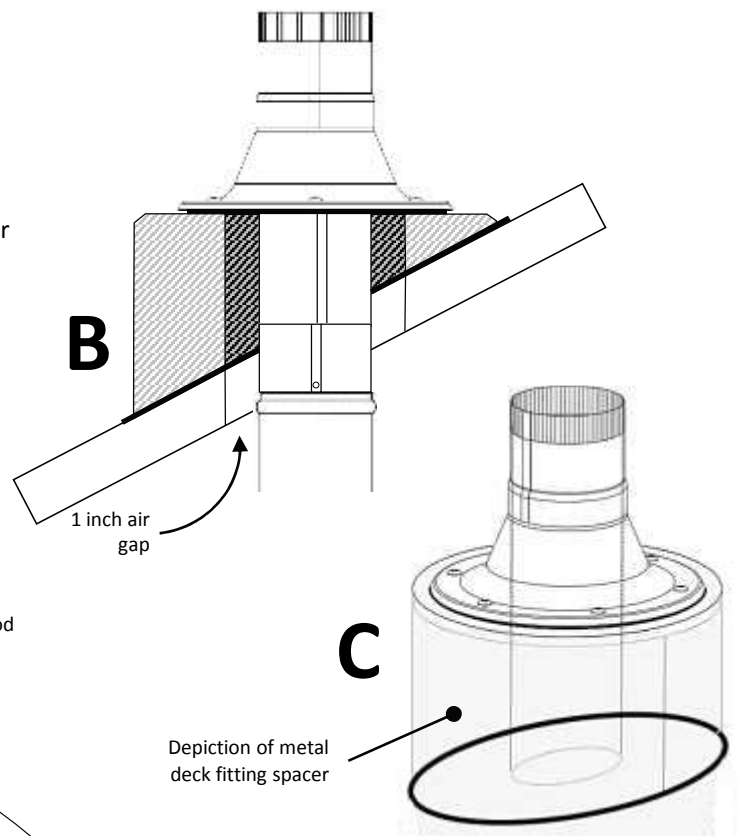
The deck fitting can be installed on sloped or angled surfaces if the pitch does not exceed 15° (A) If the angle is greater than 15° A leveling block or spacer must be used - fig 29

A levelling block or spacer must be shaped or constructed from suitably durable material such as hardwood (B) or sheet metal (C) It's construction can be solid or hollow, but a 1 inch gap around all the way around the chimney pipe must be ensured. The chimney pipe itself must not come into direct contact with the block or be too narrowly confined within it.



Levelling Blocks

Must be customized to adequately accommodate the install surface. For this reason it is not possible to order a levelling block from Dickinson. A Shipwright, carpentry shop or sheet metal fabricator are good places to source a custom levelling block.



Non-Compliant installs

Installs at angles (E) exceeding 15°, vertical installs (F) and installs that do not conform to the instructions in this manual are not supported.

Please note that Dickinson bear no responsibility for unsatisfactory performance damage or loss resulting from non-conforming product installations that do not meet the requirements in this manual.

