

## INSTRUCTION OF USE

### RE-FUELING

To fill the tank (1) unscrew the cap (2) and fill up the tank using a funnel. Use lamp oil (Kerosene only). Wipe off the excess of oil with a cloth when necessary.

When refueling the first time, remove the two shock absorb pads (14) on the lower and upper edge of glassware.

**Important advice : Do not fill up the tank while the lamp is lightened.**

Tank capacity : 0.33 liter. This will give you a 24 hour lighting and radio play.

### LIGHTING

Push down the lever (3) to lift up the glassware. Set the wick using the setting key (4) clockwise. After lighting put the glassware back in position using the lever (3).

Set the flame at approx. 1cm away from the thermo battery to avoid excessive combustion, which creates dirt on the glassware.

### EXTINCTION

Lift the glassware using the lever (3) and blow out the flame.

### THERMO-BATTERY

The LUFO thermo battery has been specially designed to work on your LUFO.

After several uses you may notice some soot deposit on the bottom of your thermo battery. This will not cause any problem but we recommend to wipe off the soot located on the lower face of your thermo battery for better long term efficiency.

Please proceed as follows:

Unplug the connector (7), unclip the whole thermo battery assembly. Put back the whole assembly after cleaning. Be sure that the clips are properly secured. Plug the Connector (7). **Be sure that the lamp is cold before cleaning.**

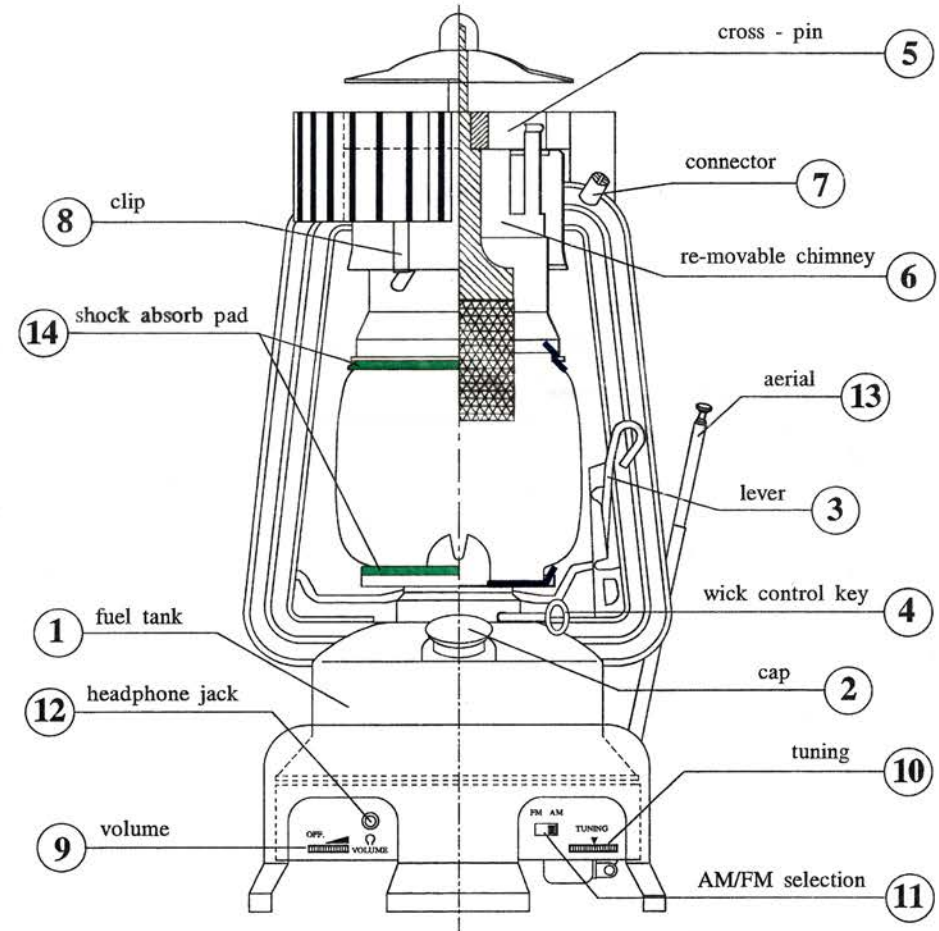
### RADIO

The radio will be operational 3 minutes after lighting. The LUFO radio is equipped as a standard unit with : on/off volume (9), search knob (10), band selection AM/FM or SW1/SW2 (11), headphone jack (12).

### AERIAL

For better sound and reception, unfold the telescopic aerial (13) which is placed under the LUFO radio.

# ((LUFO))<sup>®</sup>



system powered by SERRAS TECHNOLOGIES