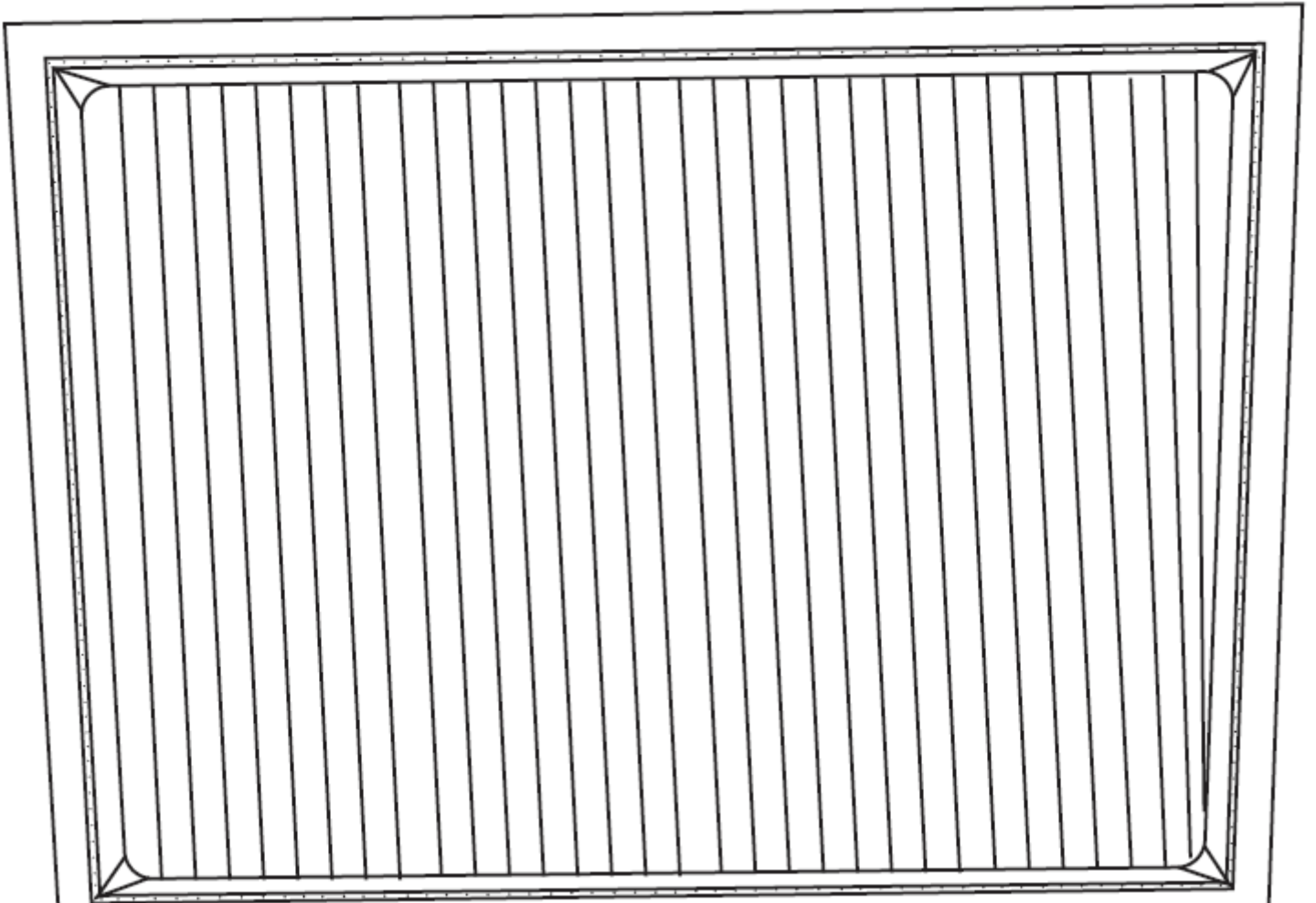


# nkuku

HOME AND LIFESTYLE

Anesha Upholstered Linen Headboard  
King & Superking - Natural & Olive Green



---

CARE & ASSEMBLY INSTRUCTIONS



Please read these instructions and check the pack contents carefully  
before attempting assembly.

**Choking Hazard:**

In its unassembled state this product contains small parts which could be a choking  
hazard for children under 3 years old.

Regularly check all fastenings to ensure that they are properly tightened.

---

# CARE INSTRUCTIONS

## Features of Natural Mango Wood

Mango wood is a beautiful natural material. It is important to understand its unique properties; these properties should not be mistaken for flaws.

## Wood Shading and Grain

Each piece will have a slightly different grain pattern. Variation in colour, shading and grain between different parts of the same product can occur, this is a normal feature of all natural wood.

## Knots

Knots are a natural property of all wood furniture; they do not affect performance and add interest to each piece.

## Cleaning

Wipe with a soft, dry, lint free cloth.

Do not use any abrasive or corrosive cleaning products.

Any spillages should be wiped away immediately.

## Sunlight and heat

Direct sunlight will cause the colour of wood to change, this will be more apparent if the furniture is placed under a window.

Use in hot and sunny conservatories is not recommended.




Do not place the furniture next to radiators or anywhere subject to excessive changes in temperature or moisture content.

## Care

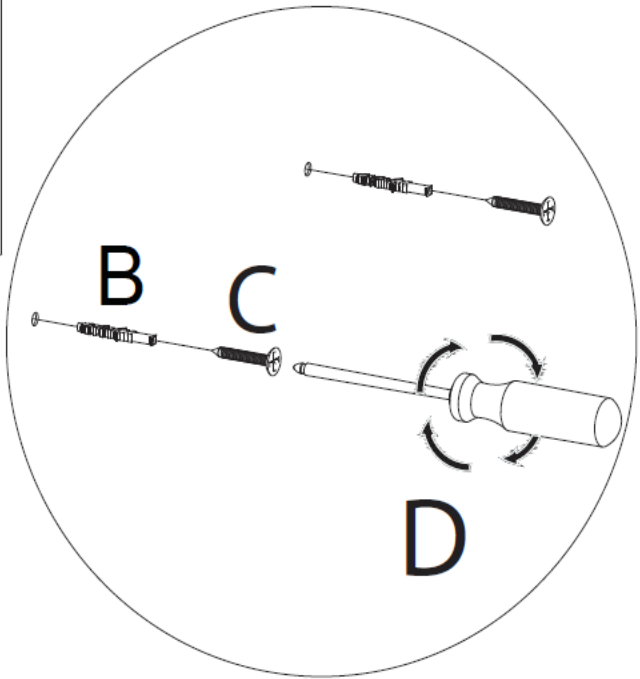
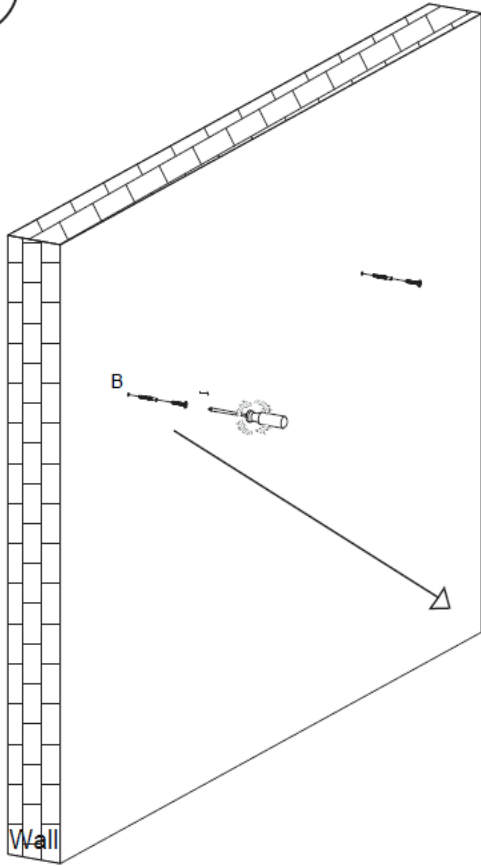
If your furniture becomes stained, scratched, chipped or suffers other damage, we recommend professional help sought to restore it.

# ASSEMBLY INSTRUCTIONS

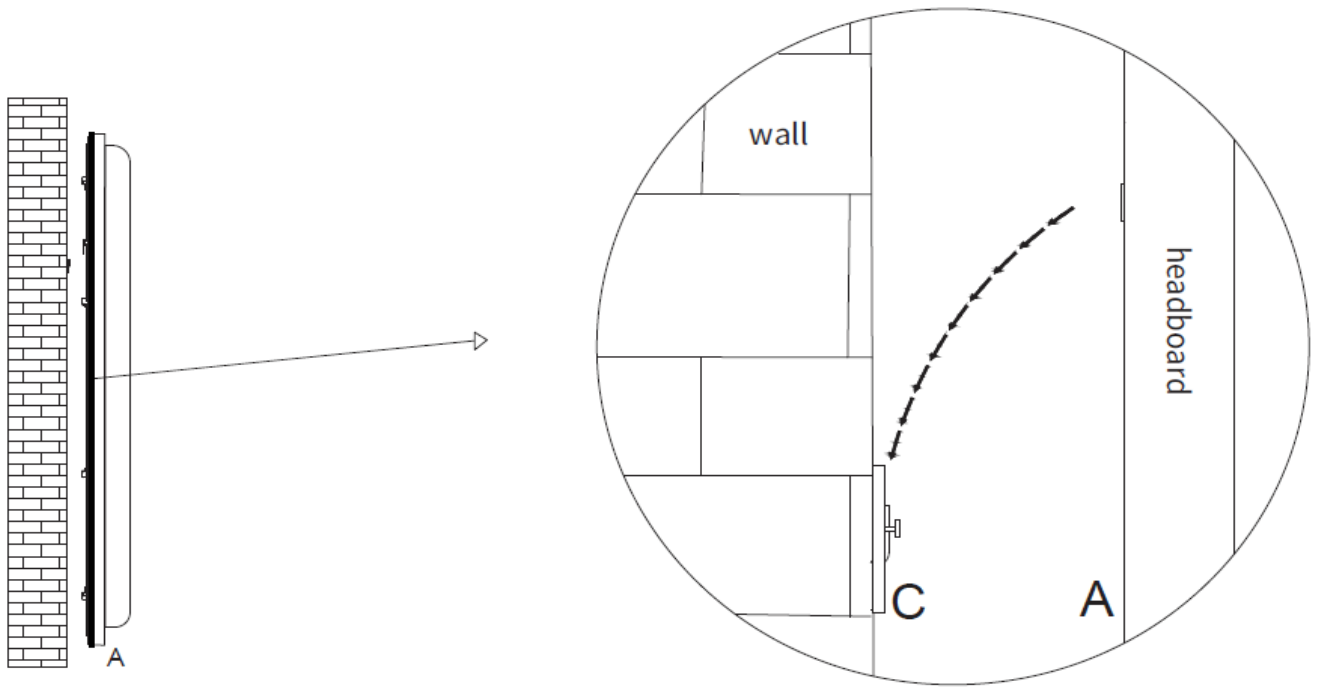
NO.	ITEM INCLUDE IN CARTON	DESCRIPTION	QTY.
A.		HEADBOARD	1PC.

NO.	ITEMS REQUIRED FOR ASSEMBLY	DESCRIPTION	QTY.
B.		SCREW DOWEL	2PCS.
C.		SCREW (MAX 10MM HEAD)	2PCS.
D.		SCREW DRIVER	1PC.

1



2



3

