



## DESCRIPTION

The Quietline fans are innovative stylish inline fans for enhanced comfort level in kitchens, bathrooms and other utility spaces. Maximum air flow combined with low noise level ensures an ideal room microclimate. The fans are compatible with 4", 5" and 6" plastic or flexible ducts

## APPLICATIONS

- Kitchen exhaust
- Bathroom exhaust
- Living area ventilation

## SPECIFICATION

- Voltage: 120 V, 60 Hz
- Motor: AC motor
- Power consumption: 7.6 - 26.5 W
- Sones: 0.5 - 1.9
- Airflow capacity: up to 200 CFM
- Duct compatibility: Ø 4", 5", 6"
- IP X4 protection

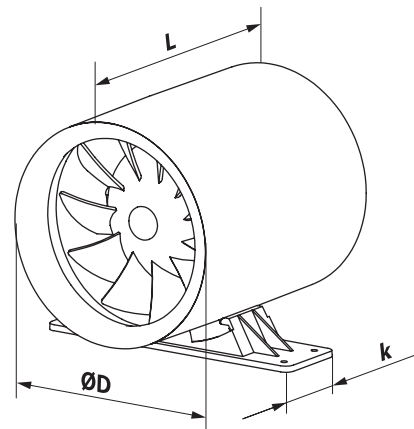
## BENEFITS

- Low noise level
- High air flow
- Vibration free operation
- Low energy ball bearing motor
- Thermal overheating motor protection
- Easy installation

## DIMENSIONS

Model	Measurements [in.]		
	L	ØD	k
Quietline 100	5 13/32"	3 57/64"	-
Quietline 125	6 23/64"	4 59/64"	-
Quietline 150	7 11/64"	5 29/32"	-
Quietline-k* 100	5 13/32"	3 57/64"	2 1/8"
Quietline-k* 125	6 23/64"	4 59/64"	2 7/16"
Quietline-k* 150	7 11/64"	5 29/32"	2 1/8"

\* option-k – fixing bracket for flat surface mouting



**PERFORMANCE**

Model	RPM*	Sones	Duct Dia	Watts*	Amps*	CFM vs. Static Pressure (Ps) in WG		Max Ps	Volts
						0"	0.1"		
<b>100 Quietline</b>	2424	0.5	4"	7.6	0.1	49	36	0.26	120 / 60 Hz
<b>125 Quietline</b>	2304	1.0	5"	19.4	0.26	108	73	0.31	120 / 60 Hz
<b>150 Quietline</b>	2016	1.9	6"	26.5	0.24	200	158	0.45	120 / 60 Hz

\* Indicated at 0.1" in.W.G.

MODEL	QUANTITY	COMMENTS	PROJECT
			location:
			architect:
			engineer:
			contractor:
			submitted by:

Tel: 888-640-0925      Sales@ventsus.com  
 Fax: 513-268-4597      VentsUS.com  
 400 Murray Rd,  
 Cincinnati, OH 45217