

VKM-ANTIRADON  
CENTRIFUGAL INLINE FANS

## DESCRIPTION

VENTS VKM-AntiRADON fans are specially designed with high pressure capabilities for Radon Mitigation Application. The fans are specifically designed for radon extract ventilation of basements, cellars, crawl spaces, etc. Compatible with  $\varnothing$  4" - 12" round air ducts. Installation made easy with the supplied mounting brackets.

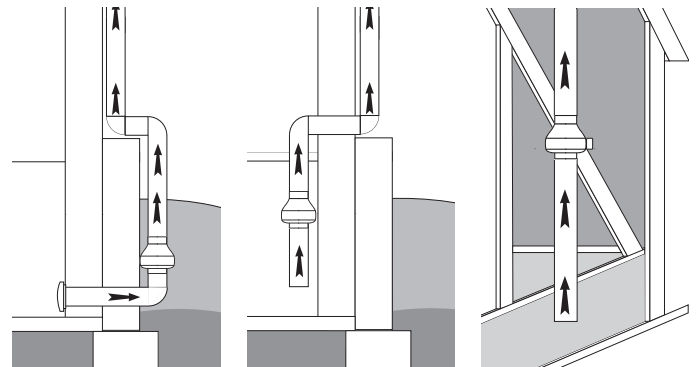
## ACCESSORIES

For airtight installation of VKM-AntiRADON fan rubber collars with stainless clamps are recommended to use.  
\*not supplied with the fan.



## INSTLATION

The most effective Radon reduction method is the installation of fans that can vent the elevated level of Radon outside. It is important to mitigate the radon if your basement or crawl space has tested positive for it. The VENTS VKM-AntiRADON fan is fixed on the wall. The polluted air is extracted at roof level. The air ducts must be located at least 10' away from any window.



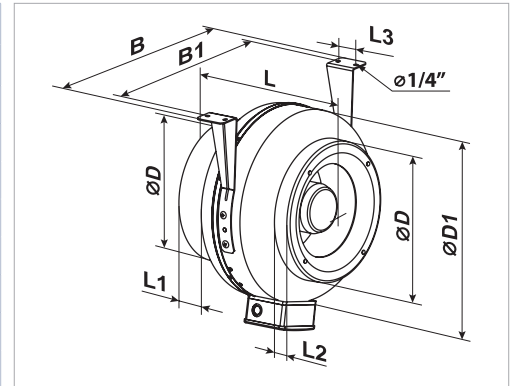
Outside installation

Inside installation

Attic installation

**DIMENSIONS**

Model	Measurements [in.]									lbs
	Ø D	Ø D1	B	B1	L	L1	L2	L3		
VKM-AntiRADON 100	3 15/16"	10"	11 3/4"	10 3/16"	8 1/16"	0 13/16"	1"	1 3/16"	9.7	
VKM-AntiRADON 125	4 15/16"	10"	11 3/4"	10 3/16"	8 1/16"	0 13/16"	1"	1 3/16"	9.5	
VKM-AntiRADON 150	5 7/8"	11 15/16"	13 3/4"	12 3/16"	8 11/16"	1"	1"	1 3/16"	11.9	
VKM-AntiRADON 200	7 7/8"	13 9/16"	15 3/8"	13 3/4"	9 7/8"	1"	1 1/8"	1 9/16"	14.6	
VKMS-AntiRADON 200	7 7/8"	13 9/16"	15 3/8"	13 3/4"	9 7/8"	1"	1 1/8"	1 9/16"	14.6	
VKM-AntiRADON 250	9 13/16"	13 9/16"	15 3/8"	13 3/4"	9 3/16"	1"	1 1/4"	1 9/16"	16.1	
VKM-AntiRADON 305	12"	15 7/8"	17 3/4"	16 5/16"	10 1/4"	0 15/16"	1 3/16"	1 9/16"	17.6	
VKMS-AntiRADON 305	12"	15 7/8"	17 3/4"	16 5/16"	10 1/4"	0 15/16"	1 3/16"	1 9/16"	17.6	


**PERFORMANCE**

Model	Duct dia	RPM*	Sones	Watts*	Amps*	CFM vs. Static Pressure (Ps) in WG											Volt/Hz
						0"	0.125"	0.2"	0.25"	0.375"	0.5"	0.75"	1.0"	1.25"	1.5"	2.5"	
VKM-AntiRADON 100	4"	3000	6.91	108	0.90	174	167	162	159	151	142	124	106	84	60	-	120/60
VKM-AntiRADON 125	5"	2950	6.80	112	0.97	239	228	222	217	205	192	165	130	102	72	-	120/60
VKM-AntiRADON 150	6"	2400	6.60	110	0.90	325	292	275	265	241	214	172	139	107	67	-	120/60
VKM-AntiRADON 200	8"	2520	7.60	195	1.63	541	502	480	464	428	391	320	265	222	183	36	120/60
VKMS-AntiRADON 200	8"	2745	8.30	240	2.14	657	640	632	625	608	590	550	498	434	370	112	120/60
VKM-AntiRADON 250	10"	2516	8.20	232	1.95	678	638	613	599	550	479	408	340	292	248	90	120/60
VKM-AntiRADON 305	12"	2981	8.35	244	2.10	784	756	738	727	698	669	611	542	480	428	168	120/60
VKMS-AntiRADON 305	12"	2320	8.42	272	2.42	985	920	890	869	818	773	680	594	512	441	210	120/60

\* Indicated at 0.2 in.W.G.

MODEL	QUANTITY	COMMENTS	PROJECT
			location:
			architect:
			engineer:
			contractor:
			submitted by: